

Parts Manual for

GIANT-VAC®

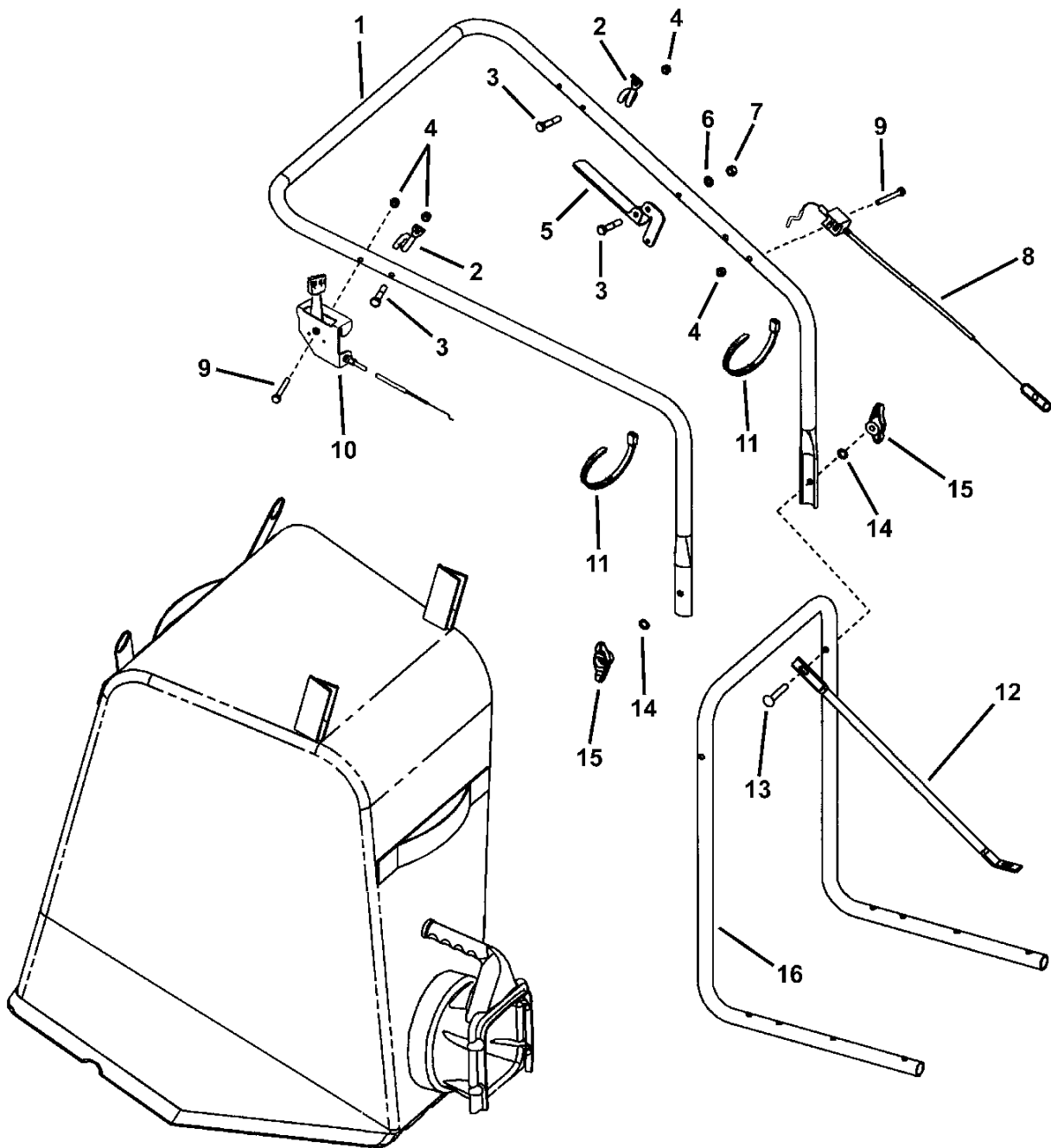
PUSH YARD VACUUM RESIDENTIAL & COMMERCIAL SERIES 0



<i>Model No.</i>	<i>Description</i>
7085644	SV2550HV
7085638	SV25550HC
7085642	SV25550HV
7085634	SV25650B

GIANT-VAC®

PAGE	GROUP
4	HANDLES, CONTROLS, BAG
6	ENGINE, IMPELLER, HOUSING, WHEELS
8	COMMERCIAL COMPONENTS
10	DECALS



17 BAG ASSEMBLY
 NOTE: BAG COMPONENTS
 ARE NOT SOLD SEPARATELY.

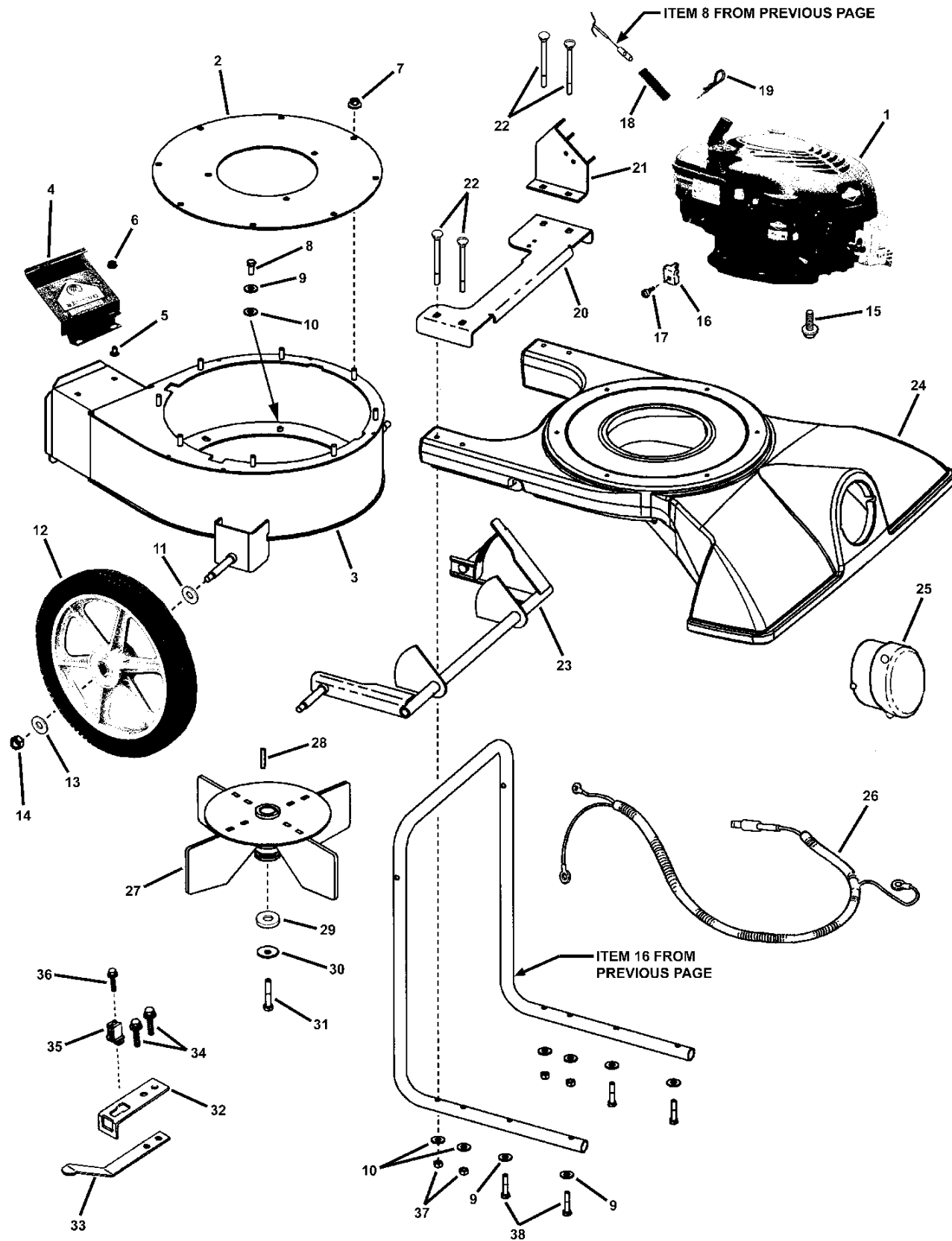
HANGLES, CONTROLS, BAG

Item	Part No	Qty	Description	Note
1	7075801	1	HANDLE, Upper	<i>Was ASSY 7058669 Included Foam Grip, Part No. 26216</i>
2	7022779	2	GUIDE, Pull Rope	
3	7079577	3	SCREW, 1/4-20 x 1-1/2" Hex Head Cap, GR5	
4	7076978	5	NUT, 1/4-20 Hex Nyloc	
5	7075800	1	HANDLE, Height Adjust	
6	7091315	1	WASHER, 5/16" Split Lock	
7	7091511	1	NUT, 5/16-18 Hex, GR5 or B	
8	7075804	1	CABLE, Height Adjust	
9	7090505	1	SCREW, 1/4-20 x 2" Hex Head Cap, GR5	
10	7075838	1	CABLE, Throttle, B&S	
11	7012080	3	CABLE TIE, 7"	
12	7075891	2	BRACE, Handle	
13	7091930	2	BOLT, 5/16-18 x 2" Square Neck Carriage, GR5	
14	7090391	2	WASHER, 5/16" Internal Tooth Lock	
15	7035744	2	KNOB, 5/16-18 Wing (Black)	
16	7075803	1	HANDLE, Lower	
17	7058942	1	* ASSEMBLY, Vacuum Bag	<i>Includes 7075805, 7075837 & 7075918</i>

Footnotes:

Note* Bag components are not sold separately

ENGINE, IMPELLER, HOUSING, WHEELS



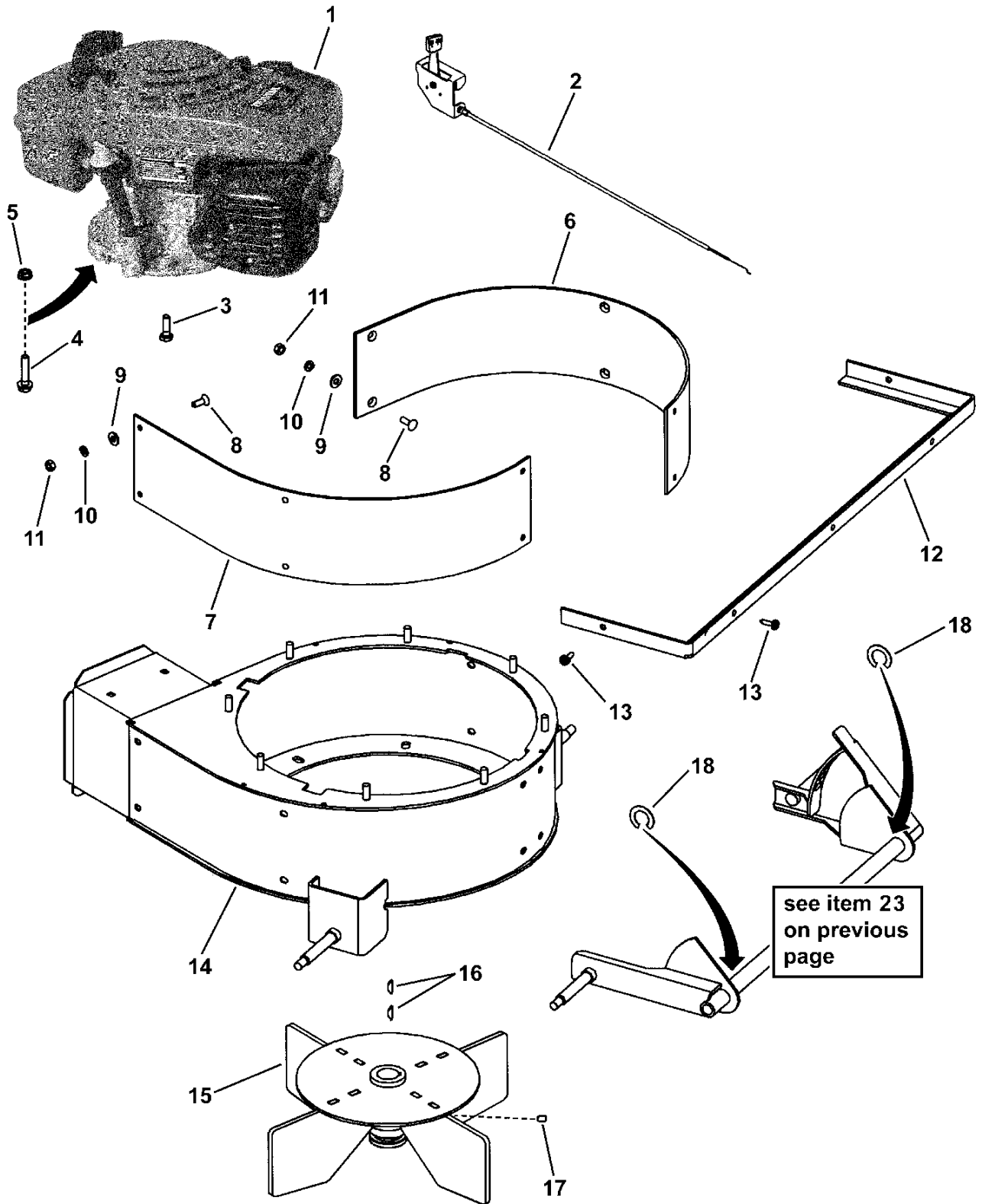
ENGINE, IMPELLER, HOUSING, WHEELS

Item	Part No	Qty	Description	Note
1	123K02-0140	1	* ENGINE, 6.5HP B&S Quantum Modular XRM, Recoil Start	was 123K02-0126-E1
2	7034902	1	PLATE, Engine Base Vacuum Universal	replaces 7075793
3	7044853	1	WELDMENT, Upper Housing	
4	7075807	1	ASSEMBLY, Hinge Door	
5	7091604	2	BOLT, 1/4-20 x 1/2" Short Neck Carriage, GR5	
6	7091584	2	NUT, 1/4-20 Hex Flange Lock	
7	7091601	8	NUT, 5/16-18 Hex Flange Lock, GR5	
8	7091318	8	SCREW, 5/16-18 x 3/4" Hex Head Cap, GR5	
9	7091315	12	WASHER, 5/16" Split Lock	
10	7090188	12	WASHER, 5/16" Flat	
11	7026257	4	WASHER, 1/2" Wave	
12	7058668	4	WHEEL ASSEMBLY, 14.00 x 2"	
13	7090122	4	WASHER, 3/8" SAE Flat	
14	7091299	4	NUT, 3/8-16 Nyloc	
15	7090324	3	SCREW, 3/8-16 x 1" Hex Washer Self-Tap	
16	7023153	1	CLAMP, Casing	
17	7023154	1	SCREW, #10-32 x 5/8" Hex Head Self-Tap	
18	7025062	1	SPRING, Compression	
19	7091193	1	HAIRPIN, 29/32" Cotter	
20	7075802	1	PLATE, Reinforcing	
21	7044886	1	WELDMENT, Cable Anchor	
22	7058271	4	BOLT, 5/16-18 x 3-1/2" Short Neck Carriage, GR5	
23	7044885	1	WELDMENT, Axle Ass'y, Drag Link	
24	7075836	1	HOUSING, Lower	
25	7075806	1	PLUG, Hose Port	
26	7026247	1	WIRE HARNESS, Interlock	
27	7045218	1	WELDMENT, Impeller	
28	7012315	1	KEY, 1/4" Square x 1-7/16" long	
29	7091962	1	WASHER, .468 I.D. x 1-5/8" O.D. x 1/4" thick	
30	7012063	1	WASHER, Cone	
31	7090167	1	SCREW, 3/8-24 x 2" Hex Head Cap, GR5	
32	7032416	1	BRACKET, Interlock	
33	7032417	1	SPRING, Interlock	
34	7090539	2	SCREW, 1/4-20 x 1/2" Hex Washer Self-Tap	
35	7012048	1	INSULATOR	
36	7090379	1	SCREW, # 8-18 x 3/4 Sheet Metal	
37	7091298	4	NUT, 5/16-18 Hex Nyloc	
38	7091540	4	SCREW, 5/16-18 x 1-1/2" Hex Head Cap, GR5	

Footnotes:

Note: * Purchase engine & engine parts other than those listed, from engine service outlets.

COMMERCIAL COMPONENTS



COMMERCIAL COMPONENTS

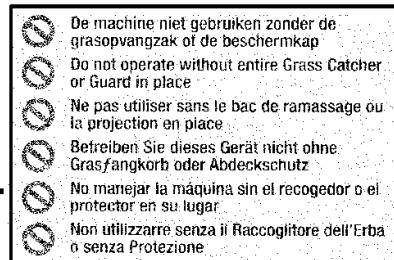
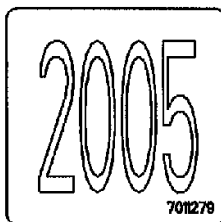
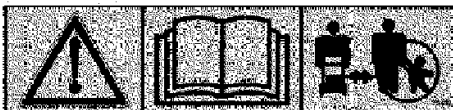
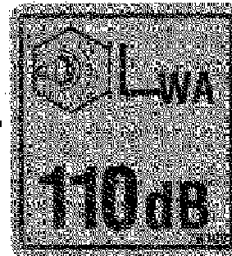
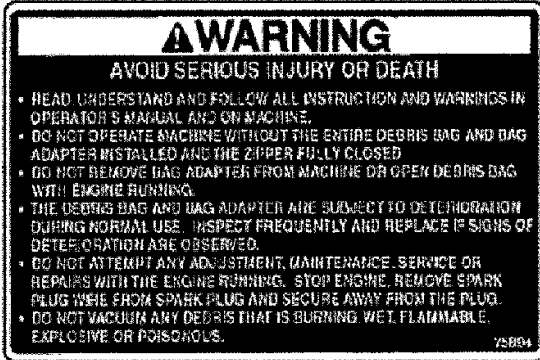
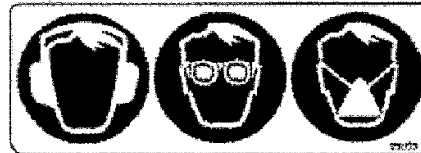
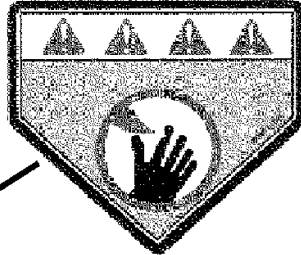
Item	Part No	Qty	Description	Note
1	GXV160-K1N	1	* ENGINE, 5.5HP Honda GXV, Recoil Start	
2	7075940	1	CABLE, Throttle, Honda	
3	7090238	3	SCREW, 5/16-24 x 1" Hex Head Cap	
4	7090700	1	BOLT, 5/16-18 x 1-1/2" Hex Flange Lock	
5	7090585	1	NUT, 5/16-18 Hex Flange Lock	
6	7075890	1	LINER, Vacuum Housing L.H.	
7	7075889	1	LINER, Vacuum Housing R.H.	
8	7092103	12	SCREW, 1/4-20 x 3/4" Flat Head Machine	
9	7091294	12	WASHER, .28 x .63 x .06 Flat	
10	7027223	12	WASHER, .263 Split Lock	
11	7091576	12	NUT, 1/4-20 Hex	
12	7075954	1	FRAME, Inlet Protection	
13	7092106	5	SCREW, #10 x 3/4" Hex Washer	
14	7044891	1	WELDMENT, Upper Housing, Commercial	
15	7044932	1	WELDMENT, Impeller, Honda Commercial	
16	7010783	2	KEY, #55 Hi-Pro	
17	7077680	1	SETSCREW, 1/4-20 x 3/8", Socket Head Knurled Cup Point	
18	7012271	2	WASHER, Shim	

Footnotes:

Note: * Purchase engine components directly from engine manufacturer dealer.

GIANT-VAC®

PROUDLY MADE IN THE USA 75861



DECALS

Item	Part No	Qty	Description	Note
1	7075861	1	DECAL, GIANT VAC Logo	
2A	7013010	1	DECAL, Danger, Cut Finger	
2B	7022841	1	DECAL, WARNING	<i>Euro models only</i>
3	7075892	1	DECAL, Thrown Objects	
4	7075893	1	DECAL, Personal Protection	
5	7075894	1	DECAL, Warning, Vacuum	
6	7029776	1	DECAL, Euro Community (CE)	<i>Euro models only</i>
7	7074329	1	DECAL, SOUND 110	<i>Euro models only</i>
8	7073462	1	DECAL, Caution Symbols	<i>Euro models only</i>
9	7011279	1	DECAL, 2005 YEAR OF MFG. (No longer available)	
10	7029784	1	DECAL, DK/Chute INT'L Warning	<i>Euro models only</i>
		1	MANUAL, OPS, Leaf VAC	<i>7050477 Not shown</i>
		1	MANUAL, OPS, Euro Leaf Vacuum	<i>7050467 Not shown, Euro models only</i>
		1	MANUAL, Eng. B&S QUANT XM 98 EPA/CARB	<i>46287 Not shown</i>
		1	MANUAL, Eng. B&S QUANT EURO 98 EPA/CARB	<i>46289 Not shown, Euro models only</i>
		1	INSTRUCTION, Decal Placement - Vacuum	<i>7078131 Not shown</i>
		1	INSTRUCTION Sheet, Vac Bag Sub Assy.	<i>7075965 Not shown</i>
		1	INSTRUCTIONS, Vac Assy.	<i>7075966 Not shown</i>
		1	DECLARATION of Conformity, ESV25650B, MY05	<i>7050471 Not shown, Euro models only</i>
		1	WARRANTY, Limited Sheet	<i>1676941 Not shown</i>

Footnotes:

Parts Manual for

GIANT-VAC[®]

PUSH YARD VACUUM RESIDENTIAL & COMMERCIAL SERIES 0

IT IS THE POLICY OF SNAPPER TO IMPROVE ITS PRODUCTS
WHENEVER IT IS POSSIBLE AND PRACTICAL TO DO SO. WE
RESERVE THE RIGHT TO MAKE CHANGES OR ADD IMPROVEMENTS
AT ANY TIME WITHOUT INCURRING ANY OBLIGATION TO MAKE
SUCH CHANGES ON PRODUCTS MANUFACTURED PREVIOUSLY.

GIANT-VAC[®]