

---

**THE GIANT-VAC**

# **1695 TRAIL-VAC**

## **MODEL 1695**

---

**OPERATOR'S MANUAL**

---

***Congratulations!***

You have just purchased one of the finest pieces of outdoor power equipment on the market today. If properly cared for, your Giant-Vac Model 1695 Trail-Vac will provide years of dependable service. Please read and follow this instruction manual carefully in order to get the most out of your new equipment.

First, inspect your machine upon delivery. Each Giant-Vac product leaves our factory in excellent condition; occasionally, however, some damage may occur during shipment. If any such damage is found upon initial inspection, *immediately* notify the transport carrier who delivered your machine, as they are solely responsible for the damage as well as any subsequent adjustments.

Your Giant-Vac Model 1695 Trail-Vac comes completely assembled. Simply follow the instructions contained within this manual to begin enjoying the benefits of your new unit.

---

**CALIFORNIA PROPOSITION 65 WARNING**

**Gasoline and Diesel engine exhaust and some of its constituents are known to the State of California to cause cancer, birth defects and other reproductive harm.**

**As an owner of off-road gasoline or diesel engine equipment and/or as an employer, you also may have an obligation under the California Occupational Safety and Health Act or under Proposition 65 to warn persons exposed to gas and diesel engine exhaust and/or other Proposition 65 chemicals in and around your workplace. See California Health and Safety Code section 25249.5, Title 22 of the California Code of Regulations at Section 1200 *et seq.*, and Title 8 of the California Code of Regulations Section 5194.**

---

# 1

## SAFETY RULES REGARDING OUTDOOR POWER EQUIPMENT

---

***IMPORTANT!*** READ THE FOLLOWING SAFETY RULES  
***CAREFULLY*** BEFORE OPERATING UNIT:

- Regard your Giant-Vac Model 1695 Trail-Vac as a piece of power equipment and teach this regard to all who will operate this unit. Never allow children or young teenagers to operate the unit.
- Always wear appropriate safety equipment when operating this unit. Proper eye, ear, and breathing protection is a must.
- Be sure you know how to stop both the unit and the engine at a **MOMENT'S NOTICE**. Refer to the operation section of this manual, as well as the engine manual.
- Do not operate with any guards or component parts removed from unit.
- Unless there is very good artificial light, use only during daylight.
- Fill gasoline driven machines outdoors. Avoid spilling gasoline and **DO NOT** fill the engine while it is running or while you are smoking.
- While in operation, keep all parts of body away from intake and exhaust sections. Never insert any body part or other foreign object in any opening while the machine is running.
- Never operate the unit with the back door open or unlocked.
- When operating unit, keep people and pets a safe distance away. Instruct children to keep away from the area of operation at all times.
- Do not use on steep inclines (over 30 degrees), as unit can roll over.
- Before making any adjustments or repairs, stop engine and remove spark plug wire.

---

**FAILURE TO FOLLOW THESE RULES CAN RESULT IN CHRONIC  
HEALTH PROBLEMS, SERIOUS INJURY, OR EVEN DEATH.**

---

---

# 2

## UNIT OPERATION

---

### **1. CONNECTING UNIT TO TOWING VEHICLE:**

Connecting the Model 1695 Trail-Vac to a towing vehicle is fast and easy – simply align the hole in the forward section of the Trail-Vac’s A-frame hitch with the rear hitch mount of the towing vehicle, and secure with a heavy-duty hitch pin (not supplied).

### **2. STARTING THE ENGINE**

***NOTE:** If you experience problems with your engine that cannot be satisfactorily resolved by following the instructions contained within the engine manual, contact your local engine dealer, or call the toll-free service number listed in the repair section of the engine manual. All engine service, warranty or otherwise, is required to be performed by a manufacturer-authorized service center. Giant-Vac Mfg., Inc. is neither authorized nor responsible for any type of warranty engine service, nor is it equipped to perform any such service.*

#### ***BEFORE STARTING ENGINE:***

- Be sure to read your engine manual carefully and thoroughly before attempting to start the engine.
- Be sure that the unit is **completely** assembled, and all safety guards and components are in place.
- Be sure to check engine’s **oil** and **gasoline\***. (See engine manual for recommended oil and gasoline specifications.) **Never** check the engine while it is running or while you are smoking. Check only when engine is cold.

\*All machines are shipped without oil or gasoline unless otherwise noted.

- Be sure that red fuel valve on engine is set to open position.

#### ***TO START ENGINE :***

- Set throttle control up to “full” position. If engine is cold, set choke by pulling out choke handle.
- Turn ignition key and hold until engine starts. (If engine fails to start within a reasonable amount of time, discontinue and check engine manual for further instructions.)
- After engine starts, release ignition key, move throttle control down to approximately half, and turn off choke as required.

### ***TO SHUT ENGINE DOWN :***

- Allow engine to idle for 2-3 minutes before shutting down.
- Turn ignition key to 'off' position.
- If engine is not to be started for a prolonged period, turn red fuel valve to closed position.

## **3. OPERATING THE UNIT:**

### ***ADJUSTING THE NOSE CONE:***

Adjustable rubber flaps along the entire perimeter of the large 48" nose cone \* make your Model 1695 Trail-Vac suitable for virtually any surface. To adjust the flaps, simply loosen the bolts securing the flap bolt plates to the nose cone body, and slide the flap assembly up or down to suit the particular application. Generally, the harder and smoother the surface (such as parking lots), the closer to the surface the flaps should be adjusted; the softer and rougher the surface (such as grassy fields), the higher the flaps should be set. Experience will be your best guide. As a rule of thumb, however, the rearmost flap should always make contact with whatever surface the Trail-Vac is operating on.

\* Model 1695 MO E has a rotary mower attachment in place of the nose cone. This option consists of an intake flange that attaches directly to the power unit, a six-foot length of 6" diameter hose, two 6" hose clamps, and a special universal chute that attaches to the discharge portion of a mower deck, in place of the deflector. The chute is adjustable and will fit most model tractors.

### ***UTILIZING THE OPTIONAL NOSE CONE MOUNT HOSE KIT:***

In addition, the nose cone is designed to accept an optional intake hose kit, making the Trail-Vac an incredibly versatile piece of debris removal equipment. This option allows for easy access into areas that the Trail-Vac is unable to maneuver into. For further information regarding this and other optional accessories, please refer to the options section further along in this manual.

To attach the hose kit, first remove the auxiliary intake cover (Parts List Ref. # 36, Sheet 1) from the upper portion of the nose cone body. Then, using the same mounting hardware, fasten the intake flange to the auxiliary intake, tightening the mounting bolts securely. Next, slide one hose clamp onto one end of the intake hose, approximately 1-2" from the end. Slide this end of the hose onto the intake flange, and tighten the clamp securely. Slide the other hose clamp onto the loose end of the hose in like manner, then slide the end of the hose onto the intake nozzle. Tighten clamp securely.

To utilize the intake hose kit, remove the nut, lockwasher, and inner door lever clip from the left side of the nose cone body (Ref #'s 10, 11, 12; refer to Parts List Sheet 1), and flip the door lever up to a vertical position. This will close the bottom portion of the nose cone, deflecting all suction to the auxiliary intake. (Helpful hint: If intending to utilize the

hose kit option for an extended period of time, simply invert the clip, slide it back onto the stud, and secure it with the lockwasher and nut. This will prevent the clip from being lost or misplaced.)

### ***DUMPING THE LEAF BOX:***

Your Giant-Vac Model 1695 Trail-Vac has a 2 cubic yard\* self-dumping leaf box. When the box is full, simply back the unit up to the desired dumping area \*\*, loosen the two handle nuts on either side of the back door, swing the two pivot lock bolts out of the way, lift the spring-loaded back door, and the debris will slide out. If necessary, pull the unit forward a few feet to ensure complete emptying of the box. Be sure to close and lock the door before resuming operation.

\* Approximate holding capacity

\*\* **Before backing up, always make a visual assessment of the area behind the Trail-Vac, making sure there are no people (especially children) or objects behind the machine that could be backed into or run over. Failure to do so could result in serious injury, as well as severe machine and/or property damage.**

### **UNIT OPTIONS:**

#### ***NOSE CONE MOUNT HOSE KIT (MODEL 1696):***

This hose kit contains an intake flange that mounts onto the nose cone's auxiliary intake (the hole in the upper portion of the nose cone body, covered by the round cover plate), a ten-foot length of 6" diameter hose, an intake nozzle (complete with handle grip), and two 6" hose clamps. This handy accessory allows easy access to hard-to-reach places.

#### ***DIRECT MOUNT HOSE KIT (MODEL 1606):***

This hose kit consists of a flange that bolts directly onto the power unit in place of the nose cone, a ten foot length of 10" hose, an intake nozzle, and two 10" hose clamps. The most popular application is for cleaning out such places as shrubbery beds.

---

---

# 3

## MAINTENANCE AND STORAGE

---

- Follow **implicitly** the engine manufacturer's recommendations for maintenance.
- Never make any adjustments to the Trail-Vac until the engine is **off** and the spark plug wire is disconnected.
- If carburetor adjustment is necessary, stand to one side and **keep feet and hands** in the clear while making adjustments.
- Keep engine free of accumulations of grass, leaves or excessive grease. An accumulation of these combustible materials may result in a fire.
- Store gasoline in a **safe and approved** container in a cool dry place.
- Keep the Trail-Vac and fuel container in locked storage to prevent children from playing and/or tampering with them.
- Do not store gasoline powered equipment or fuel containers in a basement or any closed area where heating or heat appliances or open pilot lights are present, unless the fuel is completely drained from the power equipment and the fuel containers.

---

# **GIANT-VAC WARRANTY**

---

**GIANT-VAC, INC.**, here-in-after called Giant-Vac, warrants each new Giant-Vac to the original retail purchaser of the new Giant-Vac equipment to be free from manufacturing defects in normal service for a period of 1 year, unless it is used for rental purposes, which limits the warranty to 30 days. This warranty does not apply to engines, tires or other parts that are purchased and warranted by their manufacturer. Items such as bags, grass catchers, hoses and blades are not warranted, as these are considered expendable items. This warranty does not include equipment failures due to normal wear.

Any obligation under this warranty is expressly limited to the replacement or repair, at an authorized servicing Giant-Vac dealer, or at a point designated by us, of such parts as appear to us to have been defective. All defective parts have to be returned freight prepaid before credit will be issued.

We shall not be liable for transportation charges in connection with the replacement or repair of defective parts.

This warranty does not apply to a Giant-Vac upon which repairs or alterations have been made by others except with our prior written approval.

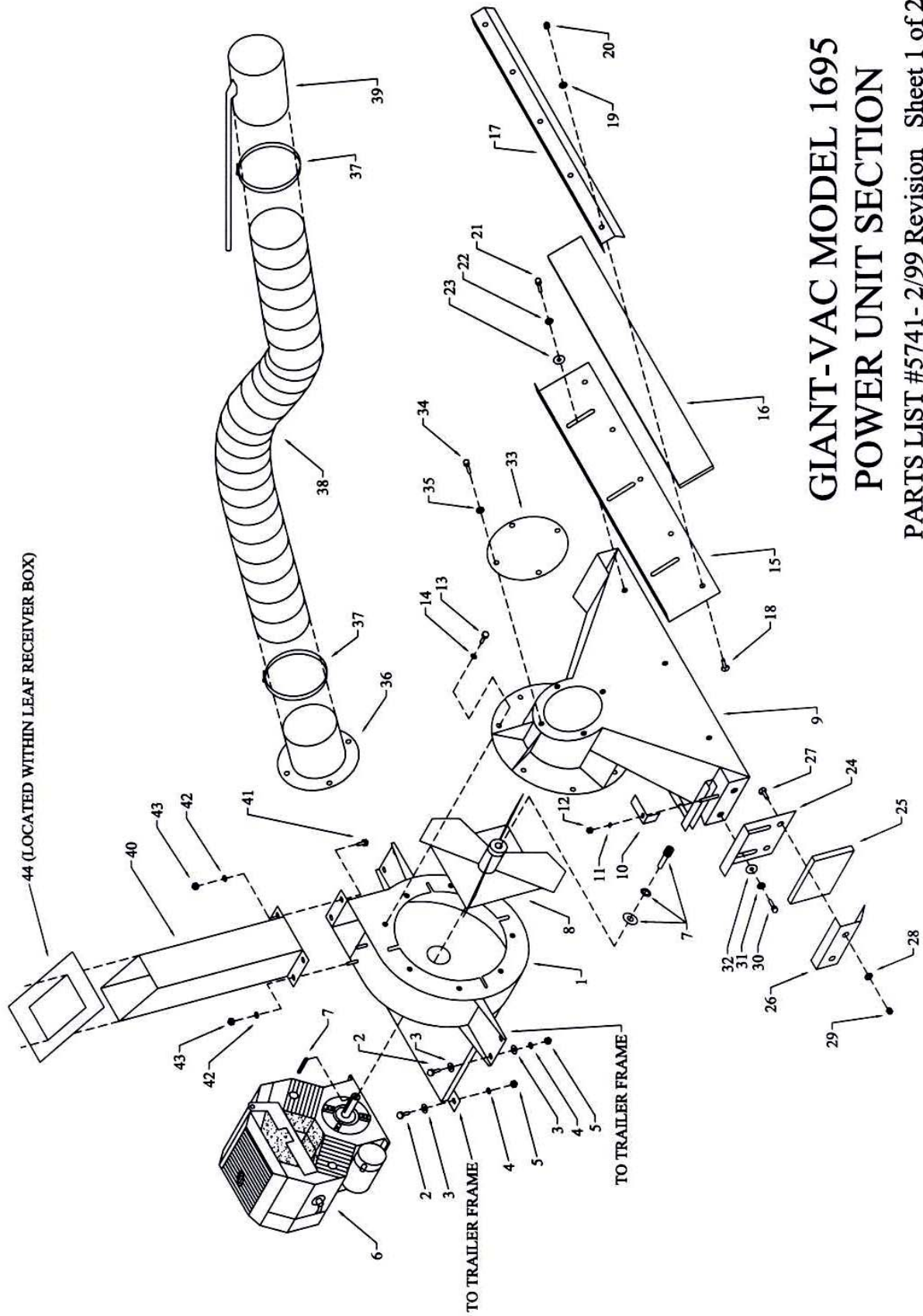
We shall not be liable for consequential damages or contingent liabilities for the fitness of any Giant-Vac for any particular purpose.

We make no other express, implied or statutory warranty, nor is anyone authorized to make any in our behalf.

---

**GIANT-VAC, INC.  
P.O. BOX 195  
SOUTH WINDHAM, CT. 06266  
PHONE: 860-423-7741 • FAX: 860-423-2654**

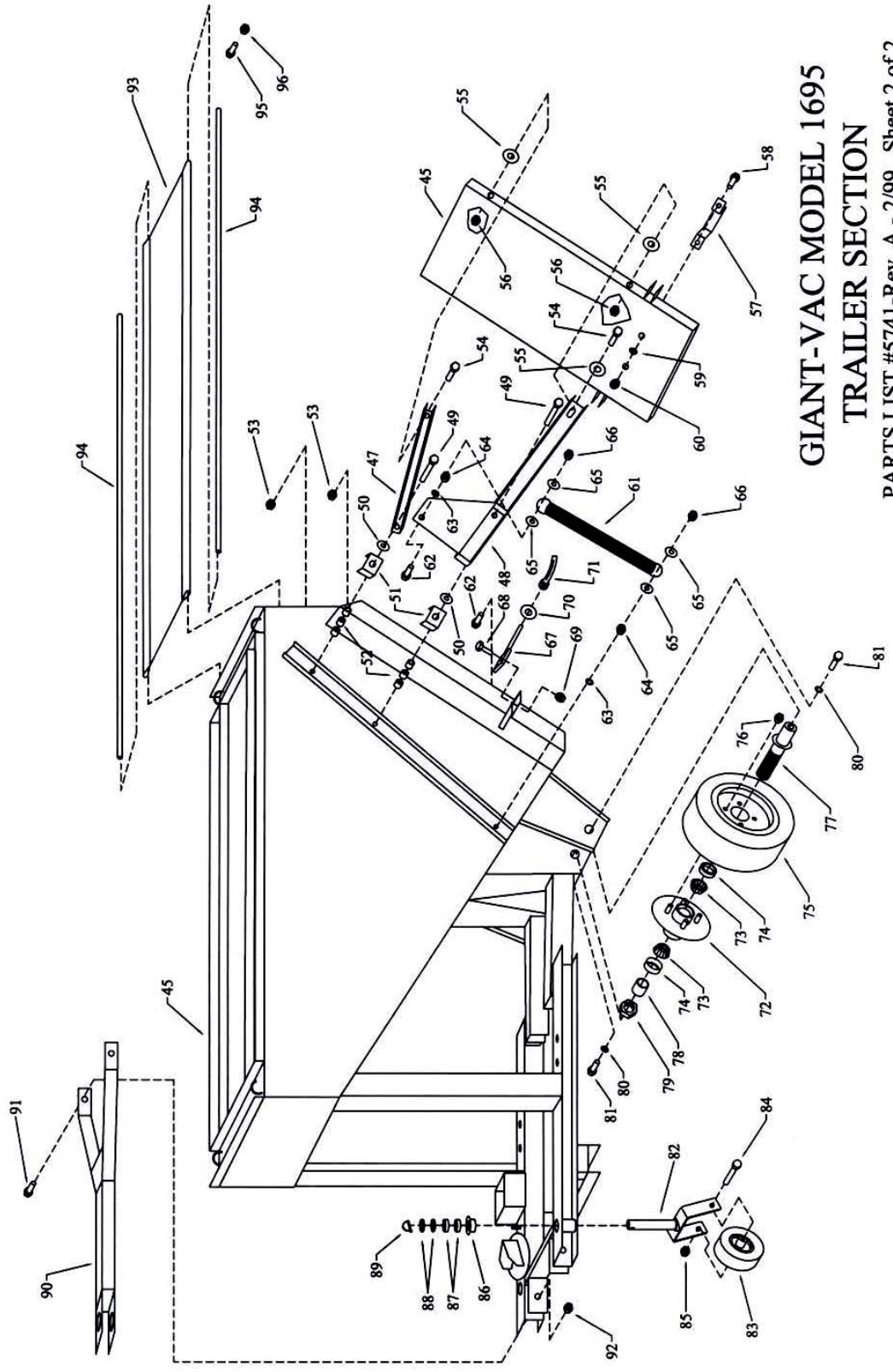
---



# GIANT-VAC MODEL 1695 POWER UNIT SECTION

PARTS LIST #5741 - 2/99 Revision Sheet 1 of 2





**GIANT-VAC MODEL 1695  
TRAILER SECTION**

PARTS LIST #5741-Rev. A - 2/99 Sheet 2 of 2

<u>REF #</u>	<u>PART #</u>	<u>DESCRIPTION</u>	<u>QTY</u>
<b>SHEET 1 – POWER UNIT SECTION</b>			
1	10231	Blower housing & engine base	1
2	31095	½ x 1-1/4" hex bolt	6
3	31043	½" flatwasher	10
4	31094	½" lockwasher	6
5	31022	½" hex nut	6
6	39068	16HP Kohler OHC engine	1
7	31020	Impeller bolt, washer & key group	1
8	21523	Impeller	1
9	27084	Nose cone body	1
10	27296	Inner door lever clip	1
11	31008	3/8" lockwasher	1
12	31009	3/8" hex nut	1
13	31089	3/8" x 1" hex bolt	8
14	31008	3/8" lockwasher	8
15	27297	Nose cone front/rear flap bolt plate – 48"	2
16	27298	Nose cone front/rear rubber flap – 48"	2
17	27299	Nose cone front/rear flap clamp bracket – 48"	2
18	31690	3/8" x 1-1/2" flat slotted machine screw	10
19	31008	3/8" lockwasher	10
20	31009	3/8" hex nut	10
21	31282	5/16" x 1" hex bolt	3
22	31003	5/16" lockwasher	3
23	31027	5/16" flatwasher	3
24	27300	Nose cone side flap bolt plate – 5"	2
25	27301	Nose cone side rubber flap – 5"	2
26	27302	Nose cone side flap clamp bracket – 5"	2
27	31690	3/8" x 1-1/2" flat slotted machine screw	4
28	31008	3/8" lockwasher	4
29	31009	3/8" hex nut	4
30	31282	5/16" x 1" hex bolt	4
31	31003	5/16" lockwasher	4
32	31027	5/16" flatwasher	4
33	27064	Nose cone auxiliary intake cover	1
34	31400	5/16" x 3/4" hex bolt	4
35	31003	5/16" lockwasher	4
36	20166	6" intake flange – Nose cone mount – optional*	1
37	34013	6" hose clamp – optional*	2
38	34004	6" x 10' intake hose – optional*	1
39	20147	6" intake nozzle – optional*	1
39A	31284	Intake nozzle handle grip - optional*	1
*	70424	1696 Optional nose cone mount hose kit - complete	
40	24552	Discharge chute	1
41	31089	3/8" x 1" hex bolt	2
42	31008	3/8" lockwasher	4
43	31009	3/8" hex nut	4
44	24553	Discharge chute flange	1

**PARTS LIST NO. 5741 – 3/01 REV.**

<b><u>REF #</u></b>	<b><u>PART #</u></b>	<b><u>DESCRIPTION</u></b>	<b><u>QTY</u></b>
<b>SHEET 2 – TRAILER SECTION</b>			
45	27295	Trailer frame & leaf receiver box assembly	1
46	27052	Back door	1
47	37003	Back door upper lift arm	2
48	37026	Back door lower lift arm & spring bracket–left side	1
48A	37004	Back door lower lift arm & spring bracket–right side	1
49	31333	½" X 3" hex bolt	4
50	31043	½" flatwasher	4
51	37017	Door lift arm stand-off	4
52	31417	Lift arm pivot bolt spacer	12
53	31406	½" lock nut	4
54	31095	½" x 1-1/4" hex bolt	4
55	31043	½" flatwasher	6
56	31406	½" lock nut	4
57	37016	Door handle	1
58	31089	3/8" x 1" hex bolt	2
59	31008	3/8" lockwasher	2
60	31009	3/8" hex nut	2
61	37018	Door spring	2
62	31512	½" x 1-3/4" hex bolt	4
63	31094	½" lockwasher	4
64	31022	½" hex nut	4
65	31043	½" flatwasher	8
66	31406	½" lock nut	4
67	37123	Back door pivot lock bolts	2
68	31444	¼" x 1" hex bolt	2
69	31098	¼" lock nut	2
70	31043	½" flatwasher	2
71	31691	½" handle nut	2
72	33058	Hub (w/studs)	2
73	33056	1" ID tapered roller bearing	4
74	33057	1" seal	4
75	33054	18-8.50 x 8 tire & rim	2
76	31152	Lug nut	8
77	33171	Rear axle spindle	2
78	31440	1" axle spacer	Subject to variation
78	31441	½" axle spacer	Subject to variation
78	31442	¼" axle spacer	Subject to variation
79	31692	1-14 axle nut (w/set screw)	2
80	31094	½" lockwasher	4
81	31095	½" x 1-1/4" hex bolt	4
82	33030	Caster horn	2
83	33001A	4.10-350 x 4 wheel	2
84	33116	5/8" x 5" axle bolt	2
85	31571	5/8" jam lock nut	2
86	31306	1" ID flange bushing	4
87	31441	½" caster spacer	4
88	31442	¼" caster spacer	4

**PARTS LIST NO. 5741 – 3/01 REV.**

<b><u>REF #</u></b>	<b><u>PART #</u></b>	<b><u>DESCRIPTION</u></b>	<b><u>QTY</u></b>
<b>SHEET 2 – TRAILER SECTION (cont.)</b>			
89	31305	¼" x 2" snapper pin	2
90	38002	Trailer hitch	1
91	31512	½" x 1-3/4" hex bolt	2
92	31406	½" lock nut	2
93	31163	Polypropylene screen	1
94	37124	Screen hanger rod	2
95-96	31305	¼" x 2" snapper pin	2
<b>ITEMS NOT SHOWN</b>			
	70863	Replacement housing liner (w/hardware)	1
	31294	5/16-18 x 2-1/2" hex bolt (engine mount bolt)	4
	31003	5/16" lockwasher	4
	31004	5/16-18 hex nut	4
	39020	Battery	1
	31642	Battery cable – 32SS – positive	1
	31643	Battery cable – 16SS – ground	1
	31009	3/8-16 hex nut – ground cable nut	1
	31008	3/8" lockwasher	1
	31836	Battery terminal cover – red	1
	31837	Battery terminal - black	1

**SPECIFICATIONS SUBJECT TO CHANGE WITHOUT NOTICE**