

Giant-Vac Mfg., Incorporated
P. O. Box 195
South Windham, CT 06266
Phone: 860-423-7741 • Fax: 860-423-2654

**Instructions for Assembling and Operating your Giant-Vac
Model 535 & 835 Trail-Vac**

CALIFORNIA PROPOSITION 65 WARNING

Gasoline and Diesel engine exhaust and some of its constituents are known to the State of California to cause cancer, birth defects and other reproductive harm.

As an owner of off-road gasoline or diesel engine equipment and/or as an employer, you also may have an obligation under the California Occupational Safety and Health Act or under Proposition 65 to warn persons exposed to gas and diesel engine exhaust and/or other Proposition 65 chemicals in and around your workplace. See California Health and Safety Code section 25249.5, Title 22 of the California Code of Regulations at Section 1200 *et seq.*, and Title 8 of the California Code of Regulations Section 5194.

As you unpack your Giant-Vac trail vac, you will find the following parts:

- 1 - Power unit with motor, impeller, and throttle cable mounted
- 1 - Trailer body with tires, exhaust hose, intake and exhaust flanges, front and side pieces, large tailgate, under frame back, under frame front, tow bar, axle holders, screen, axle, rear support, screen holder, jack stand, dump lever holder, blower support, hose clamps, top inside, and small tailgate
- 1 - Package of hardware
- 1 - Mower discharge chute, intake hose, hose clamps, rubber hose holder, and hose boom

Inspect parts for any damage that occurred in shipping. If found, save the packing box and **IMMEDIATELY** notify the transport carrier who delivered your machine. They are responsible for the damage and are the only ones to make any adjustments. Before leaving our plant, all dimensions are held to close tolerances; thus, you will have little difficulty in assembling your Giant-Vac trail vac if you follow these steps.

ASSEMBLY INSTRUCTIONS

ASSEMBLY:

Remove the metal crate from the trailer. Keep track of the hardware, as it will be used to assemble the trailer. Set the top, Ref. #13, to the side, then remove the small tail gate, Ref. #8, and set it aside.

Remove all parts from inside the trailer body. Stand the trailer on end so the bottom of the trailer is facing you. Attach the axle holders, Ref. #30, to the trailer, under the brackets, with six 3/8 x 1" hex bolts, lock washers, and nuts, Ref. #36. Leave the nuts loose. Insert axle, Ref. #17, into the axle holders, with the under frame back, Ref. #18, going in between the brackets. Put one 1" flat washer on each side of the under frame back. Tighten the bolts on the axle holder. Place one 1" flat washer onto each end of the axle, and push it up against the axle holder. Put the wheels, Ref. #13, onto the axle with one 3/4" flat washer on the outside of each wheel. Attach each wheel with one 1/2 x 1" hex bolt, lock washer, and flat washer. ***Grease the wheels. The fittings are on the inside.*** Lower the wheels to the ground, but leave the trailer tilted back. Insert the under frame front, Ref. #19, into the under frame back and fasten with six 3/8 x 1" hex bolts, lock washers, nuts, and 12 flat washers. Tighten all nuts. Insert jack stand, Ref. #21, into the slot in the under frame front and fasten with the jack stand pin, Ref. #22, and the jack stand clip, Ref. #25. Attach dump lever holder, Ref. #26, on the under frame front, lining it up with the holes that are closest to the trailer. Fasten the dump lever holder with two 3/8 x 1" hex bolts, lock washers, nuts, and four flat washers. ***Do not tighten these bolts yet.*** Lower the trailer onto the under frame back. Install the trailer dump support, Ref. #14, with six 3/8 x 1" hex bolts, lock washers, nuts, and ten flat washers. ***Tighten all nuts.*** Install dump lever, Ref. #27, into the holder with one 3/8 x 1-1/2" hex bolt and two nuts. Attach the dump lever spring, Ref. #29, to the dump lever and to the hole in the dump lever holder. The lever should catch and hold the trailer. If the lever does not catch, adjust it by moving the dump lever holder. Place the power unit on the under frame front, lining it up with the next set of holes. Attach the power unit with four 3/8 x 1" hex bolts, lock washers, nuts, and flat washers. Install the front, Ref. #6, with three 5/16 x 3/4" hex bolts, lock washers, nuts and six flat washers. Attach the right upper side, Ref. #7, to the front with three 5/16 x 3/4" hex bolts, lock washers, nuts, and flat washers. Attach the bottom of this side to the trailer with three 5/16 x 3/4" hex bolts, lock washers, nuts, and flat washers. Attach the upper left side, Ref. #5, in the same manner as the right upper side. Check to make sure the sides line up with the inside track for the tailgate. Attach the rear support, Ref. #11, with two 5/16 x 3/4" hex bolts, lock washers, nuts and four flat washers. ***Tighten all bolts.*** Place the screen, Ref. #10, on top of the trailer. Put the top, Ref. #13, over the screen, lining up the holes. Place the screen holder, Ref. #12, across the back. Put bolt holes into the screen with a screwdriver. Attach the top and the screen holder with twelve 5/16 x 3/4" hex bolts, lock washers, nuts, and flat washers. Attach the door locks, Ref. #35, to the holes in the sides with four 8-32 x 1/2" screws, lock washers, and nuts. Insert the large tailgate, Ref. #8, into the inside track and latch. Attach the tow bar, Ref. #20, to the under frame front with three 1/2 x 1-1/4" hex bolts, lock washers, nuts, and flat washers. Install the blower support, Ref. #49, at the front base of the power unit, using the 1/2" hex bolt closest to the power unit to attach the blower support to the under frame front. Attach the intake flange, Ref. #2, to the power unit with four

5/16 x 5/8" hex bolts and lock washers; making sure to include the blower support with the bottom bolt. *Tighten all bolts.* Insert the exhaust flange, Ref. #9, into the slots in the trailer front, Ref. #6. Put the exhaust hose, Ref. #32, into the exhaust stack on the top of the power unit and onto the exhaust flange. To hold the hose in place, fasten it with the two 6" hose clamps, Ref. #31.

MOTOR INSTRUCTIONS: You have received a complete engine manual with your machine. Be sure to especially note the instructions on **OILING**. **ALL MACHINES ARE SHIPPED WITHOUT OIL OR GASOLINE UNLESS OTHERWISE NOTED.** If you have any difficulties with the engine, check the Yellow Pages of your phone book for the engine dealer nearest you, rather than us, as the engines are under their own manufacturer's warranty.

INSTRUCTIONS FOR INSTALLING THE MOWER CHUTE

**IMPORTANT: REMOVE THE SPARK PLUG
ON THE POWER UNIT AND MOWER OR TRACTOR
BEFORE ATTEMPTING TO WORK ON OR CLEAN
EITHER UNIT**

ASSEMBLY OF MOWER CHUTE:

Remove the deflector, if the mower has one. Measure the length and height of the mower deck. Adjust the mower chute to be a little bit larger than the deck. Hold the chute up to the deck and check to make sure that the chute clears the cutter blades and the mower itself. **NOTE: BEFORE DRILLING ANY HOLES IN THE MOWER DECK, MAKE SURE THE CHUTE CLEARS THE CUTTER BLADES.** After carefully checking the clearance, mark the mower deck with a pencil and drill two holes on the top as far apart as possible. Drill one hole in the side of the cutter deck. Drill this hole in the mower deck also. Attach the mower chute to the mower deck, checking the clearance of the cutter blades again. Fasten the chute down with two 5/16 x 3/4" hex bolts, lock washers, nuts, and flat washers, and one 5/16 x 3/4" hex bolt, lock washer, and flat washer. Put one end of the intake hose, Ref. #33, onto the intake flange and the other end of the hose onto the chute. Fasten the hose in place with two 6" hose clamps. Place the hose boom, Ref. #15, onto the holder on the top of the power unit. Catch one hook on the rubber hose holder, Ref. #16, in the loop on the hose boom. Loop the other end of the hose holder under the intake hose and hook the end in the loop on the hose boom with the other hook. Adjust the position of the boom as needed to keep the intake hose out of the way of the mower.

NOTE: ALL MOWER GUARDS MUST BE RE-INSTALLED IF THE CUTTER DECK IS GOING TO BE OPERATED WITHOUT THE MOWER CHUTE.

OPTIONAL HOSE ATTACHMENT:

An intake hose attachment can be installed by removing the 6' intake hose from the intake flange and replacing it with a 6" x 10' intake hose. Before installing the 10' hose, attach the nozzle to

the other end of the hose. Do this by inserting the nozzle into the hose and holding them together with the 6" hose clamp from the other intake hose. Now you can clean around shrubs and pick up leaves that have been windrowed.

SAFETY AND OPERATING INSTRUCTIONS

TRAINING:

1. Regard your Giant Trail-Vac as a piece of power equipment and teach this regard to all who will operate this unit.
2. **Never** allow children or young teenagers to operate the Trail-Vac.
3. Be sure you know how to stop the engine and mower at a **MOMENT'S NOTICE**.
4. Instruct children to keep away from the area of operation at all times.

PREPARATION:

1. Before starting operation, clear the **entire** work area of all debris that could catch on or be thrown by the Trail-Vac.
2. Unless there is very good artificial light, use **only** during daylight.
3. Fill gasoline driven machines outdoors. Avoid spilling gasoline and **DO NOT** fill the engine while it is running or while you are smoking.

OPERATION:

1. **NEVER INSERT ANY BODY PART OR OTHER FOREIGN OBJECT IN ANY OPENING WHILE THE MACHINE IS RUNNING.**
2. Give complete and undivided attention to the job at hand.
3. Do **not** operate with any guards or component parts removed from unit.
4. Before making any adjustments or repairs, **stop engine** and remove spark plug wire.
5. While in operation, **keep all parts of body** away from discharge side of the mower.
6. When operating machine, keep people and pets a safe distance away.
7. Before starting, be certain to check the engine's **OIL AND GASOLINE**. (See engine manufacturer's Service Manual.) **NEVER** check the engine while engine is running or while you are smoking. Check **ONLY** when engine is cold.

8. Before starting the engine, be certain to **completely** assemble the unit. With your right hand, set the throttle control to the "start" position. When the engine is cold, you might have to initially choke the engine. (The choke lever is next to the carburetor.) Next, with your left hand, squeeze the safety handle and with your right hand, pull the recoil starter rope slowly until you feel compression, then pull fast and steady. Do **not** let the recoil starter rope snap back by itself. This may damage the rope or recoil starter assembly. After the engine starts, move the throttle lever down to approximately halfway.

MAINTENANCE AND STORAGE:

1. Follow **implicitly** the engine manufacturer's recommendations for maintenance and storage.
2. **Never** adjust the Trail-Vac or change attachments until the engine is off and the spark plug wire disconnected.
3. If carburetor adjustment is necessary, stand to one side and **keep feet and hands** in the clear while making adjustments.
4. Keep engine free from accumulations of grass, leaves or excessive grease. An accumulation of these combustible materials may result in a fire.
5. Check oil level after 10 hours of operation, and before starting for the day. Change the oil and clean the air filter after 25 hours of operation to help prolong engine life. Use unleaded gasoline only. Grease all fittings after 50 hours of operation.
6. Periodically check all adjustments and check that all fasteners are secure.
7. Store gasoline in a **safe and approved** container in a cool dry place.
8. Keep the Trail-Vac and fuel container in locked storage to prevent children from playing and/or tampering with them.
10. Do not store gasoline powered equipment or fuel containers in a basement or any closed area where heating or heat appliances or open pilot lights are present, unless the fuel is completely drained from the power equipment and the fuel containers

GIANT-VAC WARRANTY

GIANT-VAC MFG. INCORPORATED, here-in-after called Giant-Vac, warrants each new Giant-Vac to the original retail purchaser of the new Giant-Vac equipment to be free from manufacturing defects in normal service for a period of 1 year, unless it is used for rental purposes, which limits the warranty to 30 days. This warranty does not apply to engines, tires or other parts that are purchased and warranted by their manufacturer. Items such as bags, grass catchers, hoses and blades are not warranted, as these are considered expendable items. This warranty does not include equipment failures due to normal wear.

Any obligation under this warranty is expressly limited to the replacement or repair, at an authorized servicing Giant-Vac dealer, or at a point designated by us, of such parts as appear to us to have been defective. All defective parts have to be returned freight prepaid before credit will be issued.

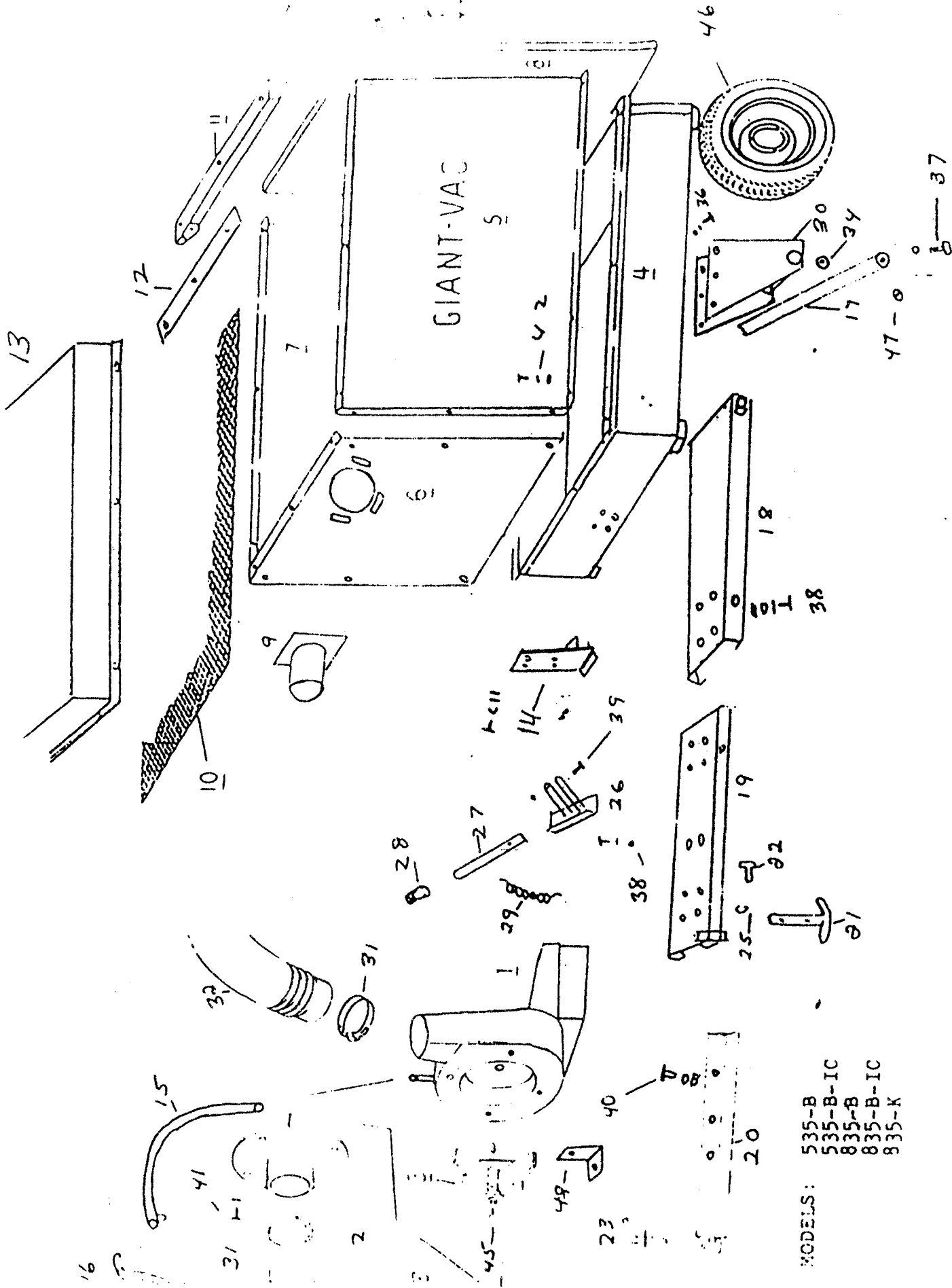
We shall not be liable for transportation charges in connection with the replacement or repair of defective parts.

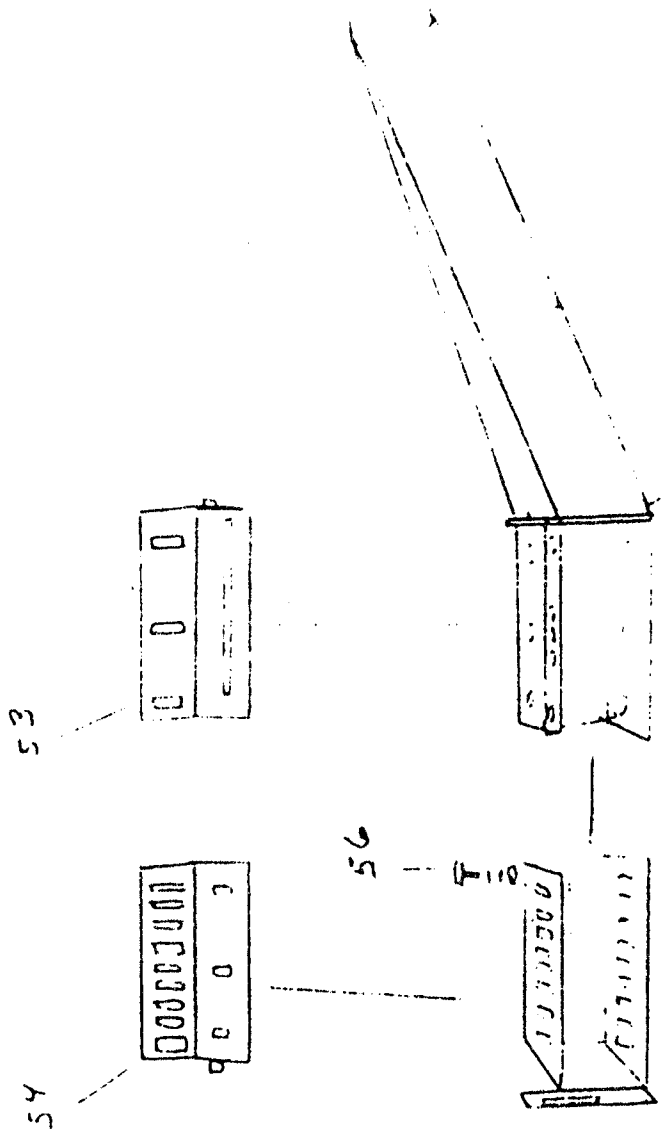
This warranty does not apply to a Giant-Vac upon which repairs or alterations have been made by others except with our prior written approval.

We shall not be liable for consequential damages or contingent liabilities for the fitness of any Giant-Vac for any particular purpose.

We make no other express, implied or statutory warranty, nor is anyone authorized to make any in our behalf.

GIANT-VAC MFG. INCORPORATED
P.O. BOX 195
SOUTH WINDHAM, CT. 06266
PHONE: 860-423-7741 • FAX: 860-423-2654





54

52

56

55

BUS

51

52

POWER CHUTE FOR MODELS:
 535-B
 535-B-IC
 835-B
 835-B-IC
 835-K

PARTS LIST NO. 5760

REF. NO.	PART NO.	POWER UNIT DESCRIPTION	POWER UNIT	
			535	535-IC
1	10100	Engine base & blower housing	1	1
2	20184	Intake flange	1	1
3	21501	Impeller	1	1
4	27161	Trailer body	1	1
5	27149	Left upper side	1	1
6	27150	Front	1	1
7	27151	Right upper side	1	1
8	27152	Large tail gate	1	1
8	27153	Small tail gate	1	1
9	24583	Exhaust flange	1	1
10	27154	Screen	1	1
11	27155	Rear support	1	1
12	27156	Screen holder	1	1
13	27157	Top	1	1
14	27158	Body front dump support	1	1
15	23124	Hose boom	1	1
16	31358	Rubber hose holder	1	1
17	33110	Axle	1	1
18	27159	Under frame back	1	1
19	27160	Under frame front	1	1
20	33109	Tow bar	1	1
21	33111	Jack stand	1	1
22	31359	Jack stand pin	1	1
23	31360	Tow bar pin	1	1
24	31361	Tow bar clip	1	1
25	31362	Jack stand clip	1	1
26	23125	Dump lever holder	1	1
27	23126	Dump lever	1	1
28	31363	Dump lever rubber grip	1	1
29	31364	Dump lever spring	1	1
30	33108	Axle holder	2	2
31	34013	6" hose clamp	4	4
32	34045	Exhaust hose 6" x 4'	1	1
33	34046	Intake hose 6" x 6'	1	1
34	31365	1" flat washer	4	4
35	31366	Door lock	2	2
36	36167	3/8 x 1" bolt, nut and lock washer	12	12
37	31368	1/2 x 1" bolt, lock washer and flat washer	2	2
38	31373	3/8 x 1" bolt, nut, lock washer a		

Operating Instructions for 535 & 835 Giant Trail-Vac

<u>REF.</u> <u>NO.</u>	<u>PART</u> <u>NO.</u>	<u>DESCRIPTION</u>	<u>535</u>	<u>535-IC</u>
40	31375	1/2 x 1-1/4" bolt, nut, lock washer & flat washer	3	3
41	31372	5/16 x 5/8" bolt and lock washer	4	4
42	31376	5/16 x 3/4" bolt, lock washer, flat washer, and nut	29	29
43	35000	Throttle cable	1	1
44	31371	8-32 x 1/2" bolt, nut and lock washer	4	4
45	31019	3/8-24 x 2" impeller bolt and key	1	1
46	33112	16/6.50 x 8 wheel	2	2
47	31370	3/4" flat washer	2	2
48	31369	1/2 x 1-1/2" bolt, lock washer, nut and flat washer	3	3
49	27162	Blower support	1	1
50	39001	5 HP B&S engine	1	
50	39034	5 HP B&S I/C engine		1

MOWER CHUTE

51	27163	Chute tube end - right	1	1
51	27164	Chute tube end - left	1	1
52	27165	Chute front end - right	1	1
52	27166	Chute front end - left	1	1
53	27167	Tube end upper plate - right	1	1
53	27168	Tube end upper plate - left	1	1
54	27169	Front end upper plate - right	1	1
54	27170	Front end upper plate - left	1	1
55	31377	5/16 x 3/4" bolt, lock washer, and flat washer	2	2
56	31376	5/16 X 3/4" bolt, lock washer	9	9
	27146	Complete chute - right hand	1	1
	27147	Complete chute - left hand	1	1

ALL SPECIFICATIONS SUBJECT TO CHANGE WITHOUT NOTICE.

PARTS LIST NO. 5760

REF. NO.	PART NO.	POWER UNIT DESCRIPTION	POWER UNIT	
			835	835-IC
1	10102	Engine base & blower housing	1	1
2	20184	Intake flange	1	1
3	21503	Impeller	1	1
4	27161	Trailer body	1	1
5	27149	Left upper side	1	1
6	27150	Front	1	1
7	27151	Right upper side	1	1
8	27152	Large tail gate	1	1
8	27153	Small tail gate	1	1
9	24583	Exhaust flange	1	1
10	27154	Screen	1	1
11	27155	Rear support	1	1
12	27156	Screen holder	1	1
13	27157	Top	1	1
14	27158	Body front dump support	1	1
15	23124	Hose boom	1	1
16	31358	Rubber hose holder	1	1
17	33110	Axle	1	1
18	27159	Under frame back	1	1
19	27160	Under frame front	1	1
20	33109	Tow bar	1	1
21	33111	Jack stand	1	1
22	31359	Jack stand pin	1	1
23	31360	Tow bar pin	1	1
24	31361	Tow bar clip	1	1
25	31362	Jack stand clip	1	1
26	23125	Dump lever holder	1	1
27	23126	Dump lever	1	1
28	31363	Dump lever rubber grip	1	1
29	31364	Dump lever spring	1	1
30	33108	Axle holder	2	2
31	34013	6" hose clamp	4	4
32	34045	Exhaust hose 6" x 4'	1	1
33	34046	Intake hose 6" x 6'	1	1
34	31365	1" flat washer	4	4
35	31366	Door lock	2	2
36	36167	3/8 x 1" bolt, nut and lock washer	12	12
37	31368	1/2 x 1" bolt, lock washer and flat washer	2	2
38	31373	3/8 x 1" bolt, nut, lock washer and flat washer	8	8
39	31374	3/8 x 1-1/2" bolt and nut	1	1

Operating Instructions for 535 & 835 Giant Trail-Vac

<u>REF.</u> <u>NO.</u>	<u>PART</u> <u>NO.</u>	<u>DESCRIPTION</u>	<u>835</u>	<u>835-IC</u>
40	31375	1/2 x 1-1/4" bolt, nut, lock washer & flat washer	3	3
41	31372	5/16 x 5/8" bolt and lock washer	4	4
42	31376	5/16 x 3/4" bolt, lock washer, flat washer, and nut	29	29
43	35000	Throttle cable	1	1
44	31371	8-32 x 1/2" bolt, nut and lock washer	4	4
45	31019	3/8-24 x 2" impeller bolt and key	1	1
46	33112	16/6.50 x 8 wheel	2	2
47	31370	3/4" flat washer	2	2
48	31369	1/2 x 1-1/2" bolt, lock washer, nut and flat washer	3	3
49	27162	Blower support	1	1
50	39002	8 HP B&S engine	1	
50	39035	8 HP B&S I/C engine		1

MOWER CHUTE

51	27163	Chute tube end - right	1	1
51	27164	Chute tube end - left	1	1
52	27165	Chute front end - right	1	1
52	27166	Chute front end - left	1	1
53	27167	Tube end upper plate - right	1	1
53	27168	Tube end upper plate - left	1	1
54	27169	Front end upper plate - right	1	1
54	27170	Front end upper plate - left	1	1
55	31377	5/16 x 3/4" bolt, lock washer, and flat washer	2	2
56	31376	5/16 X 3/4" bolt, lock washer	9	9
	27146	Complete chute - right hand	1	1
	27147	Complete chute - left hand	1	1

ALL SPECIFICATIONS SUBJECT TO CHANGE WITHOUT NOTICE.

PARTS LIST NO. 5760

REF. NO.	PART NO.	POWER UNIT	
		DESCRIPTION	835-K
1	10103	Engine base & blower housing	1
2	20185	Intake flange	1
3	21503	Impeller	1
4	27161	Trailer body	1
5	27149	Left upper side	1
6	27150	Front	1
7	27151	Right upper side	1
8	27152	Large tail gate	1
8	27153	Small tail gate	1
9	24583	Exhaust flange	1
10	27154	Screen	1
11	27155	Rear support	1
12	27156	Screen holder	1
13	27157	Top	1
14	27158	Body front dump support	1
15	23124	Hose boom	1
16	31358	Rubber hose holder	1
17	33110	Axle	1
18	27159	Under frame back	1
19	27160	Under frame front	1
20	33109	Tow bar	1
21	33111	Jack stand	1
22	31359	Jack stand pin	1
23	31360	Tow bar pin	1
24	31361	Tow bar clip	1
25	31362	Jack stand clip	1
26	23125	Dump lever holder	1
27	23126	Dump lever	1
28	31363	Dump lever rubber grip	1
29	31364	Dump lever spring	1
30	33108	Axle holder	2
31	34013	6" hose clamp	4
32	34045	Exhaust hose 6" x 4'	1
33	34046	Intake hose 6" x 6'	1
34	31365	1" flat washer	4
35	31366	Door lock	2
36	36167	3/8 x 1" bolt, nut and lock washer	12
37	31368	1/2 x 1" bolt, lock washer and flat washer	2
38	31373	3/8 x 1" bolt, nut, lock washer and flat washer	8
39	31374	3/8 x 1-1/2" bolt and nut	1

Operating Instructions for 535 & 835 Giant Trail-Vac

<u>REF.</u> <u>NO.</u>	<u>PART</u> <u>NO.</u>	<u>DESCRIPTION</u>	<u>835-K</u>
40	31375	1/2 x 1-1/4" bolt, nut, lock washer & flat washer	3
41	31372	5/16 x 5/8" bolt and lock washer	4
42	31376	5/16 x 3/4" bolt, lock washer, flat washer, and nut	29
43	35000	Throttle cable	1
44	31371	8-32 x 1/2" bolt, nut and lock washer	4
45	31020	3/8-24 x 2" impeller bolt and key	1
46	33112	16/6.50 x 8 wheel	2
47	31370	3/4" flat washer	2
48	31369	1/2 x 1-1/2" bolt, lock washer, nut and flat washer	3
49	27162	Blower support	1
50	39007	8 HP Kohler engine	1

MOWER CHUTE

51	27163	Chute tube end - right	1
51	27164	Chute tube end - left	1
52	27165	Chute front end - right	1
52	27166	Chute front end - left	1
53	27167	Tube end upper plate - right	1
53	27168	Tube end upper plate - left	1
54	27169	Front end upper plate - right	1
54	27170	Front end upper plate - left	1
55	31377	5/16 x 3/4" bolt, lock washer, and flat washer	2
56	31376	5/16 X 3/4" bolt, lock washer	9
	27146	Complete chute - right hand	1
	27147	Complete chute - left hand	1

ALL SPECIFICATIONS SUBJECT TO CHANGE WITHOUT NOTICE.