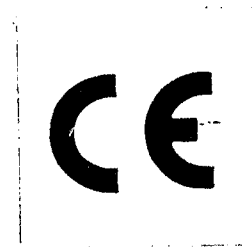


GIANT-VAC MANUFACTURING INC.



**OWNERS/OPERATORS MANUAL
MODEL 8500-B-IC
8500-B**

IN THE INTEREST OF SAFETY



BEFORE STARTING ENGINE, READ AND UNDERSTAND THE "ENTIRE OPERATOR'S MANUAL & ENGINE MANUAL."



THIS SYMBOL MEANS WARNING OR CAUTION. DEATH, PERSONAL INJURY AND/OR PROPERTY DAMAGE MAY OCCUR UNLESS INSTRUCTIONS ARE FOLLOWED CAREFULLY.

WARNING: DO NOT



1. **DO NOT** run engine in an enclosed area. Exhaust gases contain carbon monoxide, an odorless and deadly poison.

2. **DO NOT** place hands or feet near moving or rotating parts.

3. **DO NOT** store, spill or use gasoline near an open flame, or devices such as a stove, furnace, or water heater which has a pilot light or devices which can create a spark

4. **DO NOT** refuel indoors where area is not well ventilated. Outdoor refueling is recommended.

5. **DO NOT** fill fuel tank while engine is running. Allow engine to cool for 2 minutes before refueling. Store fuel in approved safety containers.

6. **DO NOT** remove fuel tank cap while engine is running.

7. **DO NOT** operate engine when smell of gasoline is present or other explosive conditions exist.

8. **DO NOT** operate engine if gasoline is spilled. Move machine away from the spill and avoid creating any ignition until the gasoline has evaporated.

9. **DO NOT** transport unit with fuel in tank.

10. **DO NOT** smoke when filling fuel tank.

11. **DO NOT** choke carburetor to stop engine. Whenever possible, gradually reduce engine speed before stopping.

12. **DO NOT** run engine at excessive speeds. This may result in injury &/or damage to unit.

13. **DO NOT** tamper with governor springs, governor links or other parts which may change the governed engine speed.

14. **DO NOT** tamper with the engine speed selected by the engine manufacturer.

15. **DO NOT** check for spark with spark plug or spark plug wire removed. Use an approved tester.

16. **DO NOT** crank engine with spark plug removed. If engine is flooded, place throttle in "FAST" position and crank until engine starts.

17. **DO NOT** strike flywheel with a hard object or metal tool as this may cause flywheel to shatter in operation. Use proper tools to service engine.

18. **DO NOT** operate engine without a muffler. Inspect periodically and replace, if necessary. If engine is equipped with muffler deflector, inspect periodically and replace, if necessary, with correct deflector.

19. **DO NOT** operate engine with an accumulation of grass, leaves, dirt or other combustible material in the muffler area.

20. **DO NOT** use this engine on any forest covered, brush covered, or grass covered unimproved land unless a spark arrester is installed on the muffler. The arrester must be maintained in working order by the operator. In the State of California the above is required by law (Section 4442 of the California Public Resources Code). Other states may have similar laws. Federal laws apply on federal lands.

21. **DO NOT** touch hot muffler, cylinder, or fins because contact may cause burns.

22. **DO NOT** run engine without air cleaner or air cleaner cover.

23. **DO NOT** operate during excessive vibration.

24. **DO NOT** leave machine unattended while in operation.

25. **DO NOT** park machine on a steep grade or slope.

WARNING: DO



1. **ALWAYS DO** remove the wire from the spark plug when servicing the engine or equipment **TO PREVENT ACCIDENTAL STARTING.**

2. **DO** keep cylinder fins and governor parts free of grass and other debris which can affect engine speed.

3. **DO** pull starter cord slowly until resistance is felt. Then pull cord rapidly to avoid kickback and prevent hand or arm injury.

4. **DO** examine muffler periodically to be sure it is functioning effectively. A worn or leaking muffler should be repaired or replaced as necessary.

5. **DO** use fresh gasoline. Stale fuel can gum carburetor and cause leakage.

6. **DO** check fuel lines and fittings frequently for cracks or leaks. Replace if necessary.

7. **Follow** engine manufacturer operating and maintenance instructions.

8. **Inspect** machine and work area before starting unit.

SOUND

SOUND TESTS

Sound tests conducted were in accordance with 79/113/EEC and were performed on 00/00/96 under the conditions listed:

GENERAL CONDITION: _____

TEMPERATURE: _____

WIND SPEED: _____

WIND DIRECTION: _____

HUMIDITY: _____

BAROMETRIC PRESSURE: _____

OPERATOR

VIBRATION

VIBRATION LEVELS 0.0 g

Vibration levels at the operators handles were measured in the vertical, lateral, and longitudinal directions using calibrated vibration test equipment. Tests were performed on 00/00/96 under the conditions listed:

GENERAL CONDITION: _____

TEMPERATURE: _____

WIND SPEED: _____

WIND DIRECTION: _____

HUMIDITY: _____

BAROMETRIC PRESSURE: _____

GENERAL SAFETY

For your safety and the safety of others, these directions should be followed:



Do not operate this machine without first reading owner's manual and engine manufacturer's manual.



Use of Ear Protection is recommended while operating this machine.

Use of Eye and Breathing protection is recommended when using this machine, especially in dry and dusty conditions.

•DO NOT operate during excessive vibration.

•DO NOT operate machine with hose flange, or hose removed
•DO NOT use this machine for vacuuming exclusively sand, dust, fine dirt, rock, glass, string like material, grain, rags, cans, metal, bark or water.

• DO NOT pick up any hot or burning debris, or any toxic or explosive material

•DO NOT operate this machine on slopes greater than 20%.

•DO NOT place hands or feet inside nozzle intake opening near debris outlet or near any moving parts

•DO NOT allow children to operate this equipment.

PACKING CHECKLIST

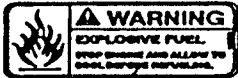
These items should be included in your carton. If any of these parts are missing, contact your dealer.

LITERATURE ASSY P/N 890290

Literature Checklist	
Owner's Manual	<input type="checkbox"/> Check Owner's Manual
Literature Loose Parts	<input type="checkbox"/> Check Literature Loose Parts
Accessories	<input type="checkbox"/> Check Accessories
Warranty Card	<input type="checkbox"/> Check Warranty Card
EU Declaration of Conformity & EU Distributor List	<input type="checkbox"/> Check EU Declaration of Conformity & EU Distributor

INSTRUCTION LABELS

These labels should be included on your Vacuum. If any of these labels are damaged, replace them before putting this equipment into operation.



Label Do Not Fill While Engine Is Hot



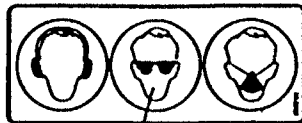
Label Read Owner's Manual



Label Danger Flying



Label Danger Keep Hands and Feet Away



Label Ear Eye Breathing

ENGINE LABELS

Briggs & Stratton



INSTRUCTIONS FOR ASSEMBLING AND OPERATING YOUR GIANT-VAC
MODELS 8500-B-IC -- 8500-K -- 1100-B-IC

As you unpack your Giant-Vac Tail-Gate truck loader, you will find the following parts:

- 1 - Power unit with motor and impeller
- 1 - Ctn. with an exhaust stack & elbow, hose, nozzle and boom supports
- 1 - Package of hardware

Inspect parts for any damage that may have occurred in shipping. If any are found, save the packing boxes and **IMMEDIATELY** notify the transport carrier who delivered your machine, as they are responsible for the damage and are the only ones to make any adjustments. Before leaving our plant, all dimensions are held to close tolerances, and thus, you will have little difficulty in assembling your Giant-Vac if you follow these steps.

CALIFORNIA PROPOSITION 65 WARNING

Gasoline and Diesel engine exhaust and some of its constituents are known to the State of California to cause cancer, birth defects, and other reproductive harm.

As an owner of off-road gasoline or diesel engine equipment and/or as an employer, you also may have an obligation under the California Occupational Safety and Health Act or under Proposition 65 to warn persons exposed to gas and diesel engine exhaust and /or other Proposition 65 chemicals in and around your workplace. See California Health and Safety Code section 25249.5, Title 22 of the California Code of Regulations at section 1200, *et seq.*, and Title 8 of the California Code of Regulations section 5194.

ASSEMBLY: 1. After removing the power unit from its carton, insert the pusher rod, Ref. #18, into the lower hole in back of the machine frame. Insert this bolt from the inside. Turn the rod in about 4". Attach the pusher rod handle, Ref. #19, through hole in pusher rod and secure it with a 3/8" lock nut. Next, put a 1/2" flat washer onto the turn-down end of the pusher rod. Attach the front pusher plate, Ref. #24, to the turn-down end of the pusher rod, with the small hole facing in. Secure it with a 1/2" flat washer, 3/8" flat washer, 3/8" lock washer and a 3/8 x 3/4" hex bolt put into the hole in the pusher rod. Repeat for the other side.

2. Install the rear holder arm, Ref. #25, with the channel facing out or to the back of the frame. Secure with a 5/8 x 2-3/4" hex bolt and flat washer into the top hole on the back of the machine frame. On the machine side, use a 5/8" flat washer and a lock nut. Tighten only enough to allow the rear holder arm to swivel up for ease in mounting.

3. Attach the 8" flange, Ref. #5, to the front of the machine with four 5/16 x 3/4" hex bolts, and lock washers.

NEVER INSERT ANY BODY PART OR OTHER FOREIGN OBJECT IN ANY OPENING WHILE THE MACHINE IS RUNNING

MOTOR INSTRUCTIONS: You have received a complete engine manual with your machine. Be sure to especially note the instructions on OILING. ALL MACHINES ARE SHIPPED WITHOUT OIL OR GASOLINE UNLESS OTHERWISE NOTED. If you have any difficulties with the engine, check the Yellow Pages of your phone book for the engine dealer nearest you, rather than us, as the engines are under their own manufacturer's warranty.

SAFETY AND OPERATING INSTRUCTIONS

TRAINING:

1. Regard your Giant-Vac as a piece of power equipment and teach this regard to all who will operate this unit.
2. Never allow children or young teenagers to operate the Giant-Vac.
3. Be sure you know how to stop the engine at a **MOMENT'S NOTICE**.
4. Instruct children to keep away from the area of operation at all times.

PREPARATION:

1. Before starting operation, clear the entire work area of all debris that could catch on or be thrown by the Truck Loader.
2. Unless there is very good artificial light, use only during daylight.
3. Fill gasoline driven machines outdoors. Avoid spilling gasoline and **DO NOT** fill the engine while it is running or while you are smoking.
4. Be certain the intake hose boom is properly adjusted according to the instructions found in an earlier section of this manual.

OPERATION:

1. **NEVER INSERT ANY BODY PART OR OTHER FOREIGN OBJECT IN ANY OPENING WHILE THE MACHINE IS RUNNING.**
2. **CAUTION: WHEN TRANSPORTING THE TRUCK LOADER, DO NOT EXCEED 30 M.P.H. HIGH SPEED DRIVING AND POOR ROAD CONDITIONS CAN CAUSE DAMAGE TO THE TRUCK LOADER AND THE TOW VEHICLE. MAKE SURE THE HOSE AND BOOM ARE SECURED BEFORE TOWING YOUR TRUCK LOADER.**
3. Do not operate with any guards or component parts removed from unit.

14. Make sure that the driver of the towing vehicle has the operator of the Truck Loader in full view at all times. Also, when operating the Truck Loader, instruct the operator to stay to the side of the machine, **never** in front or behind.

MAINTENANCE AND STORAGE:

1. Follow implicitly the engine manufacturer's recommendations for maintenance and storage.
2. Never adjust the Truck Loader or change attachments until the engine has been turned off and the spark plug wire has been disconnected.
3. If carburetor adjustment is necessary, stand to one side and keep feet and hands in the clear while making adjustments.
4. Keep engine free from accumulations of grass, leaves or excessive grease. An accumulation of these combustible materials may result in a fire.
5. Store gasoline in a safe and approved container in a cool dry place.
6. Keep the Truck Loader and fuel container in locked storage to prevent children from playing and/or tampering with them.
7. Gasoline powered equipment or fuel containers should not be stored in a basement or any closed area where heating or heat appliances or open pilot lights are present, unless the fuel is completely drained from the power equipment and the fuel containers

GIANT-VAC WARRANTY

GIANT-VAC MFG. INCORPORATED, here-in-after called Giant-Vac, warrants each new Giant-Vac to the original retail purchaser of the new Giant-Vac equipment to be free from manufacturing defects in normal service for a period of 90 days, unless it is used for rental purposes, which limits the warranty to 30 days. This warranty does not apply to engines, tires or other parts that are purchased and warranted by their manufacturer. Items such as bags, grass catchers, hoses and blades are not warranted, as these are considered expendable items. This warranty does not include equipment failures due to normal wear.

Any obligation under this warranty is expressly limited to the replacement or repair, at an authorized servicing Giant-Vac dealer, or at a point designated by us, of such parts as appear to us to have been defective. All defective parts have to be returned freight prepaid before credit will be issued.

We shall not be liable for transportation charges in connection with the replacement or repair of defective parts.

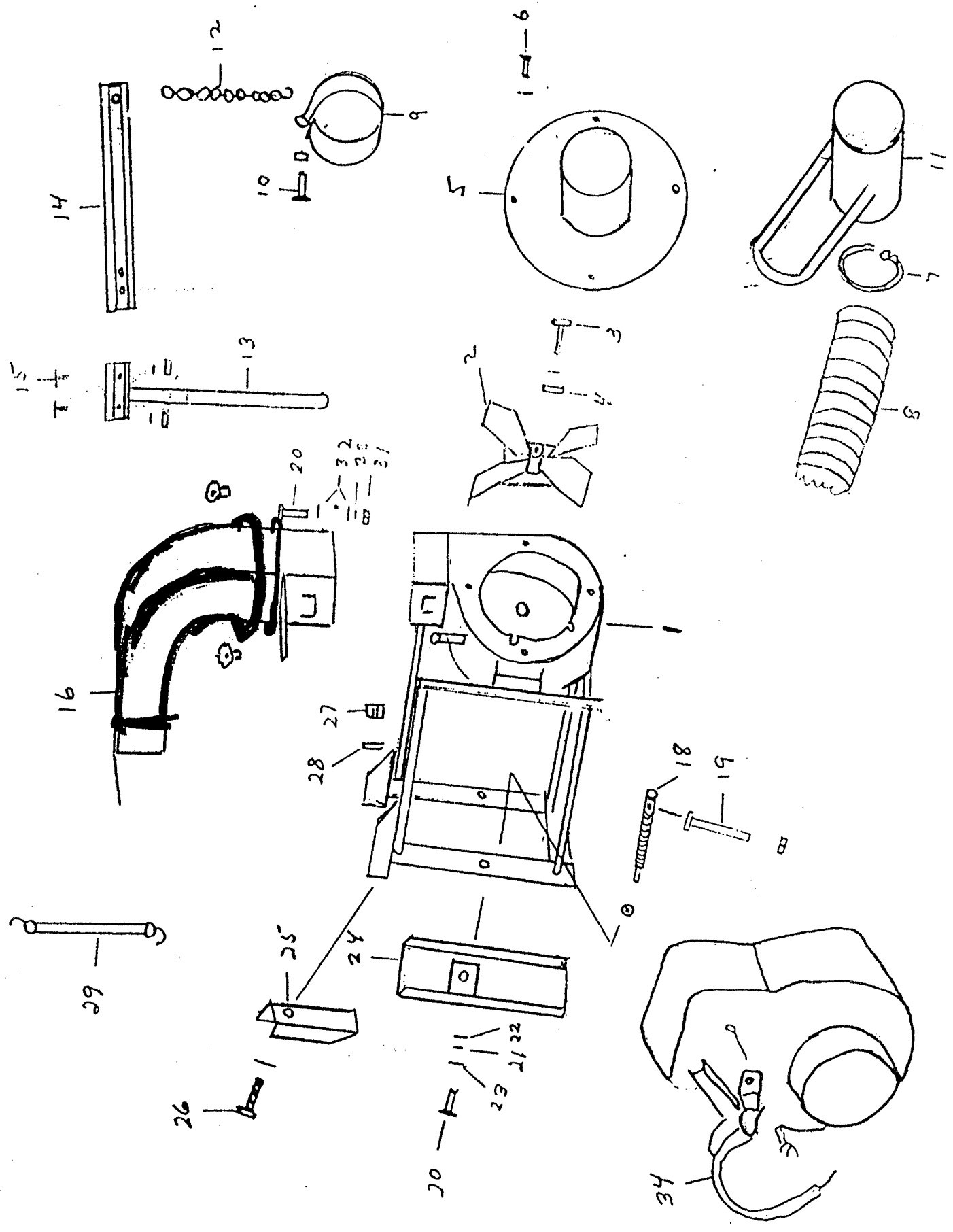
This warranty does not apply to a Giant-Vac upon which repairs or alterations have been made by others except with our prior written approval.

We shall not be liable for consequential damages or contingent liabilities for the fitness of any Giant-Vac for any particular purpose.

We make no other express, implied or statutory warranty, nor is anyone authorized to make any in our behalf.

GIANT-VAC MFG. INCORPORATED
P.O. BOX 195
SOUTH WINDHAM, CT. 06266
PHONE: 203-423-7741
FAX: 203-423-2654

GIANT-VAC TAIL-GATE TRUCK LOADER MODELS 8500-B-IC - 7500-K - 8500-K - 1100-B-IC



PARTS LIST NO. 5774

<u>REF.</u> <u>NO.</u>	<u>PART</u> <u>NO.</u>	<u>DESCRIPTION</u>	<u>8500-B-IC</u>	<u>8500-K</u>	<u>1100-B-IC</u>
1	10114	Motor base & housing	1		
1	10116	Motor base & housing		1	
1	10117	Motor base & housing			1
2	21543	Impeller	1	1	
2	21545	Impeller			1
3	31479	7/16-20 x 2" impeller bolt, washers & key	1	1	1
5	21088	Intake flange	1	1	
5	20189	Intake flange			1
6	31487	5/16 x 3/4" hex bolt & lock washer	4	4	4
7	34015	8" hose clamp	2	2	2
8	34006	Intake hose 8" x 10'	1	1	1
9	40120	Hose support band	1	1	1
10	31485	5/16 x 1-1/2" hex bolt and nut	1	1	1
11	20149	Intake nozzle 8"	1	1	1
12	31486	Boom chain	1	1	1
13	40121	Lower boom support	1	1	1
14	40122	Upper boom support	1	1	1
15	31488	1/2 x 1-1/4" hex bolt, washer & nut	2	2	2
16	24591	Exhaust elbow & stack	1	1	1
18	31494	Pusher rod 1 x 7"	2	2	2
19	31495	Pusher rod handle	2	2	2
20	31492	3/8 x 3/4" hex bolt	2	2	2
21	31493	3/8" flat washer	2	2	2
22	31119	1/2" flat washer	4	4	4
23	31115	3/8" lock washer	2	2	2
24	23158	Front pusher plate	2	2	2
25	23159	Rear holder arm	2	2	2
26	31491	5/8 x 2-3/4" hex bolt	2	2	2
27	31490	5/8" lock nut	2	2	2
28	31489	5/8" flat washer	2	2	2
29	31358	Rubber tie down	1	1	1
30	31117	1/2 x 4-1/2" hex bolt	2	2	2
31	31118	1/2" nut	2	2	2
32	31119	1/2" flat washer	2	2	2
33	31432	1/2" lock washer	4	4	4
34	35000	Throttle control	1	1	1

REF. NO.	PART NO.	DESCRIPTION	8500-B-IC	8500-K	1100-B-IC
-------------	-------------	-------------	-----------	--------	-----------

ITEMS NOT SHOWN

31604	Anti-vibration bracket	1			
31605	Anti-vibration bracket				1
39035	8 H.P. Briggs & Stratton I/C engine	1			
39007	8 H.P. Kohler engine			1--	
39037	11 H.P. B&S I/C engine				1

ALL SPECIFICATIONS SUBJECT TO CHANGE WITHOUT NOTICE.