

# **GIANT-VAC®**

**ASSEMBLY INSTRUCTIONS  
OPERATOR'S MANUAL  
PARTS LIST**

## ***35hp Truck Loader with Chipper***



Actual product differs from product pictured above

<b>Model No.</b>	<b>Description</b>
3800029	TLBC35201BVG

Manual No. 3100025  
Revisions: - 08/01/09

Manual No. 3100025

# 1 preliminaries

## ***Congratulations!***

You have just purchased one of the finest pieces of outdoor power equipment on the market today. If properly cared for, your new Giant-Vac truck loader will provide years of dependable service. Please read and follow this instruction manual carefully in order to get the most out of your new equipment.

As you carefully uncrate your unit, you will find the following items:

- 1 Pallet containing:
  - 1 Power Unit (with trailer frame and installed support jack and support leg)
  - 1 Set of Fenders
  - 1 Package containing tail-lamps and wiring harness
  - 1 Package containing fender and wiring hardware
- 1 Hose/Parts Accessory Kit containing:
  - 1 Discharge Stack
  - 1 Discharge Elbow
  - 1 8" dia. x 5' Metal Discharge Hose
  - 1 8" Squeeze Ring
  - 1 10' length of Intake Hose (12")
  - 1 Intake Nozzle (12")
  - 1 Hose Support Band (12")
  - 1 Hose Support Boom Vertical Member
  - 1 Hose Support Boom Horizontal Member
  - 1 Support Boom Spring Guide with Spring and Spring Hardware installed
  - 1 Package containing Assembly Hardware and two Hose Clamps (12")
  - 1 Package containing operating manuals and warranty registration

Each product leaves our factory in excellent condition; occasionally, however, some damage may occur during shipment. If any such damage is found upon initial inspection, *immediately* notify the transport carrier who delivered your machine, as they are solely responsible for such damage, as well as any subsequent adjustments necessary.

Your new loader requires very little assembly. Simply follow the instructions contained within this manual to begin enjoying the benefits of your new unit.

---

#### CALIFORNIA PROPOSITION 65 WARNING

Gasoline and Diesel engine exhaust and some of its constituents are known to the State of California to cause cancer, birth defects and other reproductive harm.

As an owner of off-road gasoline or diesel engine equipment and/or as an employer, you also may have an obligation under the California Occupational Safety and Health Act or under Proposition 65 to warn persons exposed to gas and diesel engine exhaust and/or other Proposition 65 chemicals in and around your workplace. See California Health and Safety Code section 25249.5, Title 22 of the California Code of Regulations at Section 1200 *et seq.*, and Title 8 of the California Code of Regulations Section 5194.

---

## **2** *safety rules regarding outdoor power equipment*

### **PLEASE READ THE FOLLOWING BEFORE ASSEMBLING OR OPERATING UNIT**

#### **TRAINING**

- Read, understand, and follow all instructions in the manual and on the unit before starting. If the operator(s) or mechanic(s) can not read English it is the owner's responsibility to explain this material to them.
- Become familiar with the safe operation of the equipment, operator controls, and safety signs.
- All operators and mechanics should be trained. The owner is responsible for training the users.
- Only allow responsible adults, who are familiar with the instructions, to operate the unit.
- Never let children or untrained people operate or service the equipment. Local regulations may restrict the age of the operator.
- The owner/user can prevent and is responsible for accidents or injuries occurring to themselves, other people or property.

#### **PREPARATION**

- Evaluate the terrain to determine what accessories and attachments are needed to properly and safely perform the job. Use only accessories and attachments approved by the manufacturer.
- Wear appropriate clothing including safety shoes, safety glasses and ear protection. Long hair, loose clothing or jewelry may get tangled in moving parts.
- Inspect the area where the equipment is to be used and remove rocks or any other such objects which can damage the machine or the receiver box.
- Use extra care when handling gasoline and other fuels. They are flammable and vapors are explosive.
  - a) Use only an approved container.
  - b) Never remove fuel cap or add fuel with the engine running. Allow engine to cool before refueling. Do not smoke.
  - c) Never refuel or drain the machine indoors.
- Check that operator's presence controls, safety switches and shields are attached and functioning properly. Do not operate unless they are functioning properly.

#### **OPERATION**

- Never run an engine in an enclosed area.
- Operate only in the daylight or with good artificial light, keeping away from holes and hidden hazards.
- Be sure all components are securely in place and in good operating order before starting engine.
- Be sure of your footing while using equipment, especially when backing up. Walk, don't run.
- Do not operate the unit without discharge connected to a debris receiver box.
- Slow down and use caution when making turns and when changing directions on slopes.
- Never leave a running unit unattended. Always stop engine, and remove keys before leaving unit.
- Never operate without guards securely in place. Be sure all safety features are attached, adjusted properly and functioning properly.
- Never operate with intake or discharge components loose, removed or altered.
- Do not change the engine governor setting or over speed the engine.
- Stop on level ground, shut off engine before leaving the operator's position for any reason including emptying the receiver box or unclogging the intake or discharge.
- Stop equipment and inspect impeller blades after picking up unusually large or hard objects or abnormal vibration occurs. Make necessary repairs before resuming operations.
- Keep hands and feet away from the intake and discharge.
- Never carry passengers and keep pets and bystanders away.
- Do not operate the unit while under the influence of alcohol or drugs.
- Slow down and use caution when making turns and crossing roads and sidewalks.
- Use care when hooking or unhooking the machine to a towing vehicle.
- Use care when approaching blind corners, shrubs, trees or other objects that may obscure vision.

## **2** *safety rules regarding outdoor power equipment (cont.)*

### **SLOPE OPERATION**

Slopes are a major factor related to loss-of-control and tip-over accidents, which can result in severe injury or death. All slopes require extra caution. If you cannot back up the slope, or if you feel uneasy on it, do not operate on it.

#### **Do**

- Remove obstacles such as rocks, tree limbs, etc.
- Watch for holes, ruts, or bumps. Uneven terrain could overturn the unit. Tall grass can hide obstacles.
- Use slow speed.
- Keep all movement on the slopes slow and gradual. Do not make sudden changes in speed or direction.

#### **Do Not**

- Do not start or stop on a slope. If tires lose traction, stop the unit and proceed slowly straight down the slope.
- Do not turn on slopes unless necessary, and then, turn slowly and gradually downhill, if possible.
- Do not operate near drop-offs, ditches, or embankments. The operator could lose footing or balance or unit could suddenly turn over if a wheel is over the edge of a cliff or ditch, or if an edge caves in.

### **CHILDREN**

Tragic accidents can occur if the operator is not alert to the presence of children. Children are often attracted to the unit and its activity. Never assume that children will remain where you last saw them.

- Keep children out of the operating area and under the watchful care of another responsible adult.
- Be alert and turn unit off if children enter the area.
- Before and during reverse operation, look behind and down for small children.
- Never carry children. They may fall off and be seriously injured or interfere with safe unit operation.
- Never allow children to operate the unit.
- Use extra care when approaching blind corners, shrubs, trees, or other objects that may obscure vision.

### **EMISSIONS**

- Engine exhaust from this product contains chemicals known, in certain quantities, to cause cancer, birth defects, or other reproductive harm.
- Look for the relevant Emissions Durability Period and Air Index information on the engine emissions label.

### **MAINTENANCE AND STORAGE**

- Always observe safe refueling and fuel handling practices when refueling the unit after transportation or storage.
- Always follow the engine manual instructions for storage preparations before storing the unit for both short and long term periods.
- Always follow the engine manual instructions for proper start-up procedures when returning the unit to service.
- Never store the machine or fuel container inside where there is an open flame, such as in a water heater. Allow unit to cool before storing.
- Shut off fuel while storing or transporting. Do not store fuel near flames or drain indoors.
- Keep all hardware, especially impeller bolt, tight and keep all parts in good working condition. Replace all worn or damaged decals.
- Never tamper with safety devices. Check their proper operation regularly.
- Clean debris from units, drives, mufflers, and engine to prevent fires. Clean up oil or fuel spillage.
- Stop and inspect the equipment if you strike an object. Repair, if necessary, before restarting.
- Never make adjustments or repairs with the engine running unless specified otherwise.
- Park machine on level ground. Never allow untrained personnel to service machine.
- Use jack stands to support components when required.
- Carefully release pressure from components with stored energy. (e.g. springs)
- Check impeller on a regular basis for bent, worn or cracked blades. Only replace impellers; never straighten or weld them.
- Keep hands and feet away from moving parts.

## 2 *safety rules regarding outdoor power equipment (cont.)*

- Belts and belt guard components are subject to wear, damage, and deterioration, which could expose moving parts or allow objects to be thrown. Frequently check components and replace with manufacturer's recommended parts, when necessary.
- Check operation of brake, tail and license lights frequently. replace as required.
- Use only factory authorized replacement parts when making repairs.

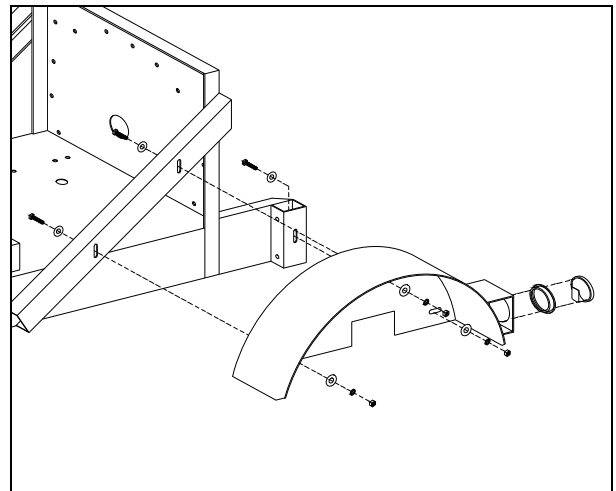
- Always comply with factory specifications on all settings and adjustments.
- Only authorized service locations should be utilized for major service and repair requirements.
- Never attempt to make major repairs on this unit unless you have been properly trained. Improper service procedures can result in hazardous operation, equipment damage and voiding of manufacturer's warranty.

## 3 *unit assembly & set-up*

**Note:** Please refer to Parts List for correct part identification and placement. Parts list reference numbers are called out by sheet number followed by reference number(s) on that sheet: (1:1) indicates Sheet 1, reference number 1; (2:32,34-38) indicates Sheet 2, reference numbers 32 through 38 excluding 33; etc.

### **FENDER ASSEMBLY (CHW UNITS ONLY)**

- Insert one 3/8-16 x 1" bolt, fitted with one 3/8" flat washer, out through the three fender mounting holes (two located in the diagonal brace, one in the support leg channel).
- Attach fenders to sides of base, making sure tail-lamp mounting brackets are toward rear of unit as shown.
- Secure each fender with flat washers, 3/8" split lock washers, and 3/8-16 hex nuts. Tighten securely.
- Install one Tail-lamp assembly into the tail-lamp mounting bracket of each fender, first by inserting the rubber grommet into the bracket hole, then pressing the tail-lamp firmly into the grommet. (Tail-lamp wiring will be addressed later.)

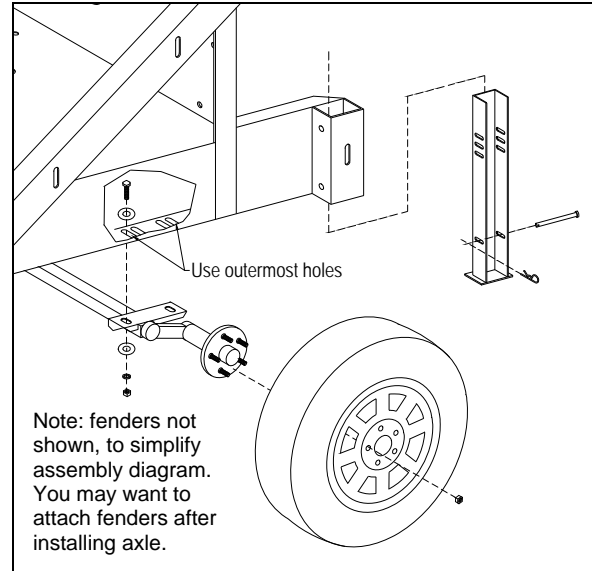


### 3 unit assembly & set-up (cont.)

#### **AXLE ASSEMBLY**

**Safety Note:** Assistance is required when installing axle. If access to lifting equipment is possible, it is highly recommended.

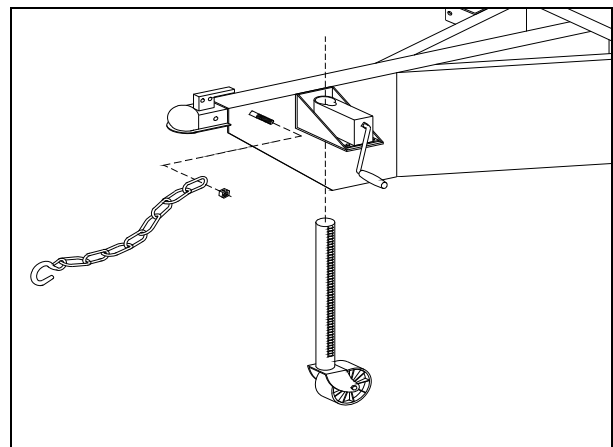
- Drop one 1/2-13 x 1-1/4" bolt, fitted with one 1/2" flat washer, down through the two outermost axle mounting holes located in each of the two channels that run lengthwise under the engine base (two bolts each side, four bolts total).
- Slide axle up onto bolts, making sure axle hubs are offset toward rear of unit as shown.
- Secure assembly with four 1/2" flat washers, 1/2" split lock washers, and 1/2-13 hex end lock nuts.
- Install tires onto axle hubs with lug nuts.
- Slide Support Leg up through leg channel, hollow of leg facing out to accommodate fender bolt, and secure in uppermost position with clevis pin and bridge pin.



#### **SUPPORT JACK AND SAFETY CHAIN INSTALLATION**

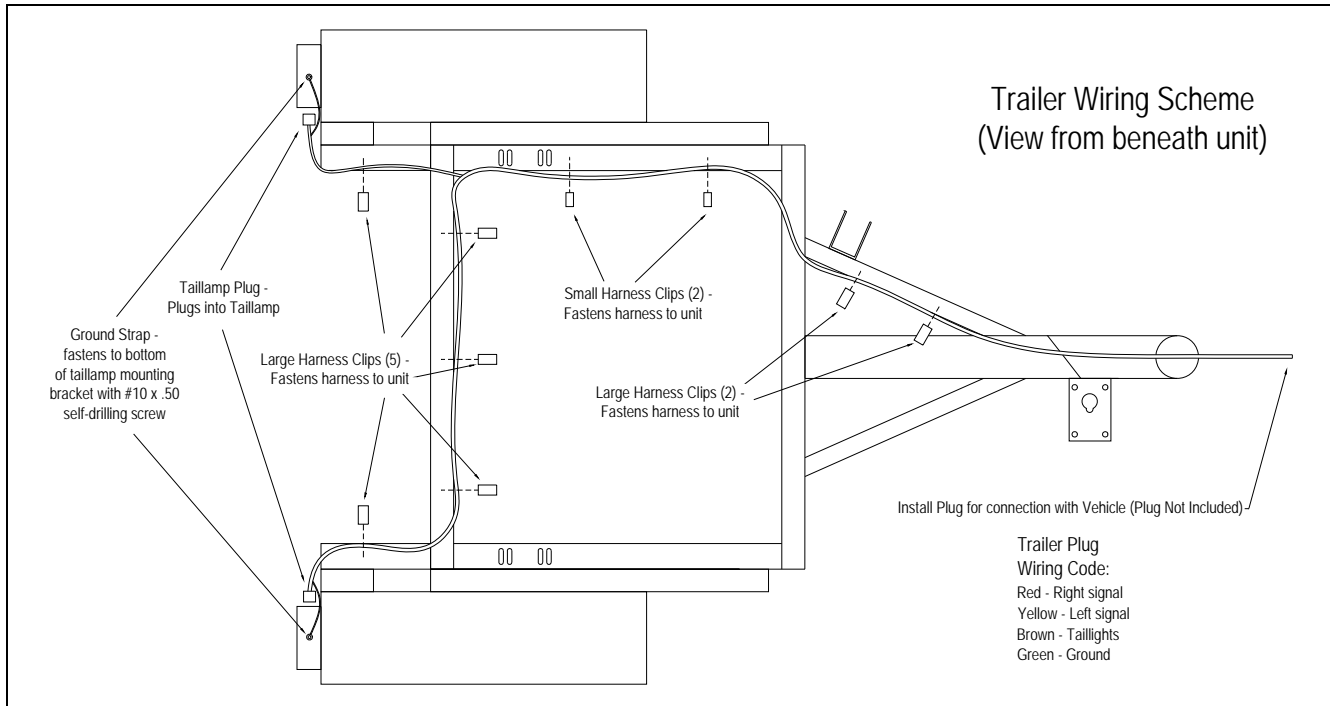
**Safety Note:** Assistance is required when installing support jack. If access to lifting equipment is possible, it is highly recommended.

- Remove jack from upside-down shipping position. Lifting draw bar, insert jack into crank assembly, making sure teeth of jack point out as shown. Crank jack up into crank assembly until unit sits level with ground, then drop support leg (installed in previous assembly step), and lock in lowermost position possible. This will prevent possible unit rollover while installing discharge assembly.
- Secure one Safety Chain onto each of the two studs on either side of the draw bar front, with one 1/2-13 reverse lock nut. Tighten snugly while allowing free movement of chain link.



### 3 unit assembly & set-up (cont.)

## TRAILER WIRING SCHEME



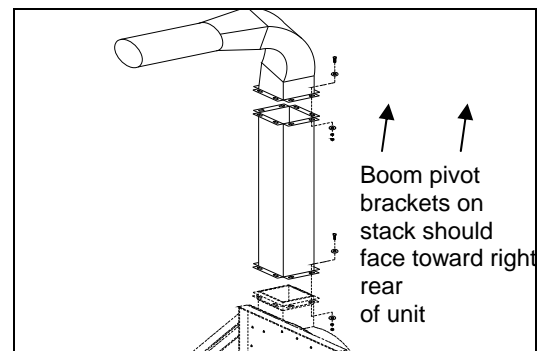
## DISCHARGE ASSEMBLY (ALL UNITS)

**Safety Note:** Assistance is required when installing discharge stack and elbow. If access to lifting equipment is possible, it is highly recommended.



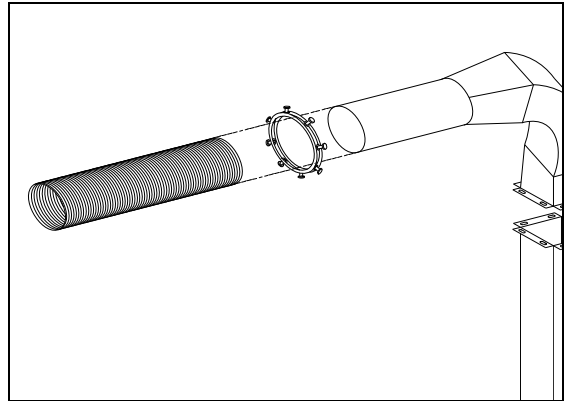
**Important Safety Note:** To prevent unit rollover during Discharge Assembly, lock rear support leg in lowermost position possible. Failure to do this may result in injury or death and/or damage to unit or property.

- Place discharge stack atop power unit, with boom pivot brackets facing out toward right rear of unit (from driver's perspective). Insert eight 3/8-16 x 1-1/4" hex bolts (3:2), each fitted with one flat washer (3:3), through bolt flange holes, securing with flat washers, lock washers and nuts (3:3-5). Tighten securely.
- Attach discharge elbow (3:1) to top of stack, with discharge directed toward towing hitch, using same hardware as in above step. Tighten securely.



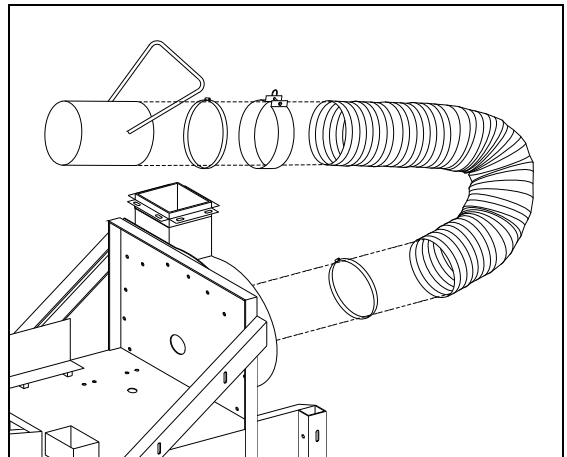
### 3 unit assembly & set-up (cont.)

- Slip one end of metal discharge hose (3:6) onto barrel of discharge stack.
- Secure hose in place with squeeze ring (3:7), tightening all bolts securely enough to dimple hose against barrel of stack and thereby prevent slippage of hose on stack assembly.



### INTAKE ASSEMBLY (ALL UNITS)

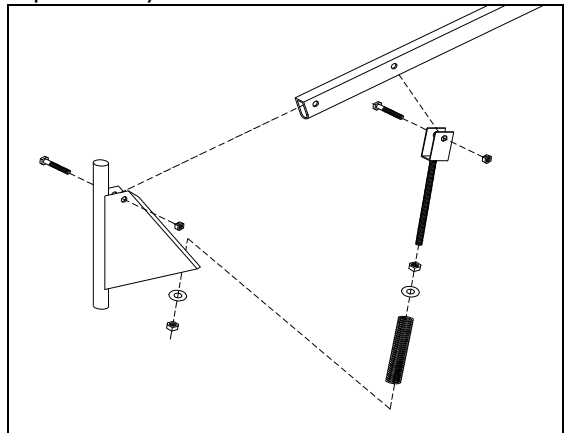
- Slip one hose clamp (2:9) onto one end of intake hose (2:8), then slip end of hose onto intake flange barrel (2:5), located in front of impeller housing. Tighten clamps securely.
- Slip Hose support band (2:10) about half-way up the length of the hose, with eye clip facing up.
- Slip one hose clamp onto free end of intake hose, followed by Intake Nozzle (2:11) with handle pointed upwards and toward hose. Tighten clamps securely.



### HOSE SUPPORT BOOM ASSEMBLY (ALL UNITS)

- Attach yoke end of Threaded spring guide (5:5) to second thru hole of horizontal boom member (5:2) with one 1/2-13 x 3" hex bolt (5:3), securing with 1/2-13 lock nut (5:4). Do not over tighten lock nut. Note: Be sure spring guide and chain eye at end of boom are both toward bottom of boom member.
- Attach horizontal boom member to vertical boom member (5:1) with one 1/2-13 x 3" hex bolt, securing with 1/2-13 lock nut. Do not over tighten lock nut. Be sure spring guide is toward base of vertical boom member.
- Remove 3/4" hex nut and flat washer (5:6-7) from bottom of threaded spring guide. Slip thread down through hole in base of vertical

boom member, securing with same hardware as previously removed.

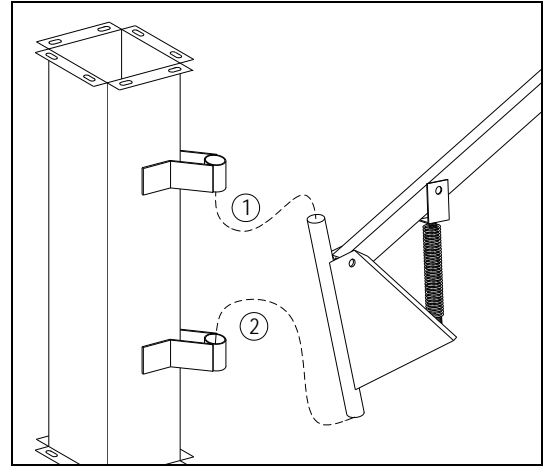




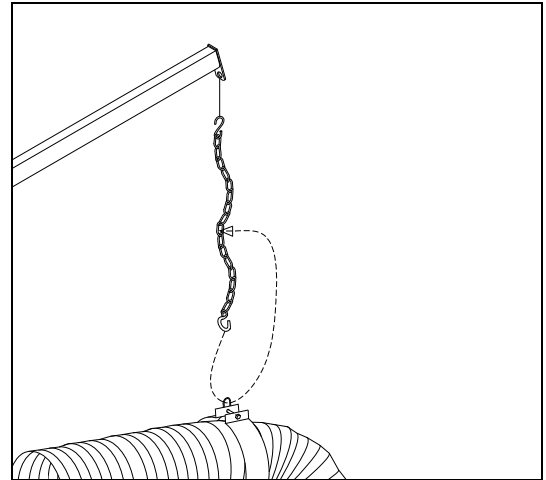
## 3 unit assembly & set-up (cont.)

### HOSE SUPPORT BOOM ASSEMBLY (cont.)

- Lift boom assembly and install into boom pivot brackets on discharge stack, first slipping top portion of vertical boom member into top bracket on stack, then dropping bottom portion into bottom bracket.



- Catch S-hook on one end of boom support chain (5:9) into chain eye at end of horizontal boom member.
- Slip other end of chain through eye clip atop hose support band, then adjust chain length between hose and boom to about three feet (3/4 of total length) by slipping S-hook on end of chain through appropriate mid-link.



### BATTERY SERVICE AND CONNECTIONS

- Fill battery with acid (auto parts store).
- Connect battery cables (hardware not supplied), making careful note of polarity:
  - Long cable from engine goes to battery positive (+)
  - Short cable bolted to engine base next to battery box goes to battery ground (-)
- Slip terminal covers on cables over battery terminals



***Important Safety Note: Incorrect battery cable connection can result in personal injury or equipment damage.***

## **3** *unit assembly & set-up (cont.)*

### **DEBRIS BOX CONSTRUCTION**



**WARNING:** This unit is designed to be used in conjunction with a debris collection box. NEVER run or operate your Truck Loader without a debris box.

Below are directions for constructing a simple, sturdy debris box for use in a standard pickup bed:

- Cut four pieces of 3" angle iron to the inside length of the truck bed, four pieces to the inside width, then four pieces that measure from the truck bed floor to approximately 8" higher than the top of the unit discharge when the unit is connected to the truck. Either weld or securely bolt the box frame together.
- Line the inside front and sides with 3/4" exterior grade plywood.
- Cover the top of the frame with a heavy duty mesh screening to allow for adequate ventilation.
- Cut a plywood door the width and height of the box frame. Install a heavy duty hinge at the top of the door and fasten it to the rear of the box frame. Install latches or other locking mechanisms between the lower sides of the door and the box sides to keep the door from opening inadvertently.
- Mark the location on the door where the unit discharge meets the box, then cut a 16" diameter hole in the door at that location. Install a rubber gasket around the hole to prevent debris blow-by – an old 13" or 14" inner tube works fine.

### **CONNECTING UNIT TO TOWING VEHICLE**

- Install appropriate trailer plug onto end of unit wiring harness to match socket on towing vehicle. Wiring scheme is as follows:

**Red – Right signal**  
**Yellow – Left signal**  
**Brown – Taillights**  
**Green – Ground**

- Back towing vehicle up to unit. Raise or lower support jack until ball hitch receiver on unit is about 3-4" higher than ball hitch on vehicle. Flip lock lever up on ball hitch receiver.
- With assistance behind, back up slowly, aligning both ball hitch receiver with ball hitch and discharge hose with receiver box opening.
- Lower front of unit down until ball hitch receiver drops completely onto ball hitch. Rock unit back and forth a couple of times to ensure full coupling of ball hitch. Lock ball hitch receiver lever. Use a clevis pin or padlock through locking hole in lever, to prevent accidental disconnect.
- Connect safety chains to vehicle in a criss-cross fashion to cradle draw bar in case of accidental disconnect, then connect wiring harness plug into trailer socket of vehicle.
- Lift rear support leg and secure in uppermost position with clevis pin. Also be sure to fully raise support jack.



**Note:** To prevent possible rollover, lock rear support leg in lowermost position possible when unit is parked or disconnected from towing vehicle.

Your unit is now ready to be started and checked for proper operation. See your engine manual for proper engine prep and operation.

## **4** *unit operation*

### **GENERAL GUIDELINES TO OBSERVE DURING OPERATION**

- Never allow a person to ride, sit or stand on the unit. Never allow a person to ride, sit or stand on the towing vehicle other than in the driver's cab of the towing vehicle.
- Make sure that the driver of the towing vehicle has the operator of the unit in full view at all times. Also, when operating the unit, instruct the operator to stay to the side of the machine, never in front or behind.
- Collecting debris into piles for the machine to intercept prior to startup will save time and fuel as well as wear and tear on the unit.
- We recommend the following for the most efficient performance: if debris is very dry, run the machine at approximately half throttle; this will help reduce the amount of small particles of debris escaping through the ventilation screen. If debris is wet or partially frozen, run the machine at full throttle.
- Lower intake hose boom assembly until nozzle floats 2-3 inches from the ground, then adjust engine throttle so that when nozzle is pushed to the ground, suction can be broken with moderate effort using three fingers of one hand. This will make operation relatively easy and comfortable.
- Time and experience will be your best guide in finding the most efficient performance from your unit.

### **UNCOUPLING UNIT FROM TOWING VEHICLE**

- Disconnect taillight/brakelight plug from towing vehicle receiver.
- Unhook safety chains from rear of towing vehicle.
- Unlock ball hitch receiver lever on unit and flip lever up.
- Crank down wheel jack until ball hitch receiver on unit clears ball hitch on towing vehicle.
- Drop rear support leg to lowermost position and secure with clevis and bridge pin. **Note: Failure to follow this step can result in unit rollover and serious personal injury and unit damage.**
- Pull vehicle away from unit.

## **5** *unit maintenance*

### **GENERAL MAINTENANCE**

***NOTE: Some maintenance services, such as engine repairs, electrical repairs, etc., should be performed only by a qualified technician.***

- Check overall condition of unit prior to each use, repairing or replacing worn, damaged or missing components promptly. Check all fasteners regularly and tighten if necessary.
- Follow engine manufacturer's recommendations for maintenance schedules. Use only recommended parts, fluids and lubricants. Failure to follow manufacturer's recommendations may void manufacturer's warranties.
- Lubricate impeller shaft bearings every 50 hours of operation. Use a high quality bearing grease, available from your local dealer (or auto parts store).
- Maintain tire pressure as indicated on tire sidewall. Replace worn or damaged tires promptly.
- Keep engine free from a buildup of grass, leaves or excessive grease. An accumulation of these combustible materials may result in a fire, or simply impede performance.
- Never change attachments or make any adjustments, repairs or replacements until the unit is completely shut down and the battery is disconnected.

### **CHECKING AND ADJUSTING IMPELLER BELTS**

***NOTE: Check new belts frequently during first 24-48 hours of installation, as tension will decrease significantly due to belt seating.***

*To obtain optimum performance and longer life from your belts, check and adjust tension using a belt tension checker, available at any auto parts dealer.*

- Remove drive belt top cover.
- Take an initial tension check. Good belt tension is generally between 8-10 lbs. With a 3/8" deflection.
- If adjustment is needed, loosen the four engine mounting bolts. **Do not completely remove bolts.**
- Loosen the two threaded tensioning rods opposite the impeller side of the engine, **making sure to loosen both the same number of turns in order to avoid misaligning the engine.**

## **5** *unit maintenance (cont.)*

### **CHECKING AND ADJUSTING IMPELLER BELTS (cont.)**

- Increase belt tension by slowly tightening the two threaded tensioning rods on the impeller side of the engine, making sure to tighten both the same number of turns in order to avoid misaligning the engine. Recheck tension every turn or so until desired tension is achieved.
- Retighten engine-mounting bolts securely, then check and tighten all tensioning rods to avoid loosening and consequential loss.
- Replace drive belt top cover.

### **REPLACING IMPELLER BELTS**

***IMPORTANT NOTE: IT IS HIGHLY RECOMMENDED THAT IMPELLER BELTS BE REPLACED BY AN AUTHORIZED GIANT-VAC DEALER.***

### **STORAGE**

- Keep the unit in locked storage to prevent unauthorized individuals, especially children, from playing and/or tampering with the unit.
- When storing the unit for prolonged periods, it is recommended to disconnect the battery.
- Store fuel in an approved, clearly marked container.
- DO NOT store gasoline power equipment or fuel containers in any closed area where heat-radiating appliances or open pilot lights are present, unless the fuel has been completely drained from the power equipment and the fuel containers.

### **REPLACEMENT PARTS**

Replacements parts are available from your local Giant-Vac dealer.

# CHIPPER ATTACHMENT SAFETY INFORMATION

Giant-Vac has done everything imaginable to design the safest machines possible. However, machine safety depends on the operator and how well operators follow the Giant-Vac safety guidelines provided in the owner's manual. The following information highlights the safety procedures recommended by Giant-Vac for all hand-fed brush chippers.

The information is divided into four safety categories: 1) Proper Clothing and Protective Equipment 2) Pre Start-Up Procedures 3) Chipper Operation Safety and 4) Chipper Maintenance and Care Safety.

***Proper Clothing and Protective Equipment:*** Every operator should wear proper clothing and protective equipment on the job.

- Clothing should be close fitting and tucked in. Operator's should not wear loose fitting clothing like scarves and untucked or unbuttoned shirts and jackets, and pants with cuffs, which could get caught on brush while they are chipping.
- A hardhat and ear protection is required.
- Eye protection is also required. All eye protections must be OSHA approved and may consist of glasses, goggles or a flip down visor that may be plastic or mesh.
- Operators must wear a sturdy pair of work pants and a good pair of hard-toe work boots with non-slip soles.
- Gloves are recommended to protect the operators' hands, but gauntlet style gloves should never be worn, again due to possibility of snagging on wood being chipped.
- Operators must avoid wearing any kind of jewelry such as earrings, rings, watches or necklaces that could present a safety hazard.
- Operators must always remove their saddlebag, body belt or harness before operating the chipper.

***Pre Start-Up Procedures:*** Before chipping brush, operators should read and understand all safety information in the operator's manual provided with their chipper.

- Operators should understand all decals on the chipper and never remove them. If the decals are flayed or worn, they should be replaced.
- To attach a chipper for towing, operator's should:
  1. Inspect the hitch before hooking up to the tow vehicle.
  2. Determine if the Ball Hitch is worn and replace it if it is.

3. Make sure the hook is latched and the safety chains are attached properly.
  4. Hook the chains to the vehicle by crossing the chains under the tongue, allowing enough slack to avoid binding when making turns.
  5. Make sure the jack is raised and then attach electrical connector to the towing vehicle.
  6. Check air tire pressure.
  7. Make sure the chipper is level for towing.
- When chipper arrives at site, never set up the chipper under the tree to be pruned, cut or worked on, and whenever possible, the chipper should be set up on level ground.
  - If a machine is hitched to a vehicle, make sure the hitch is secure and the safety chain is properly attached. If it isn't hitched to a vehicle, make sure the tongue is blocked.
  - Wheel chocks should be placed under both wheels to keep the chipper from moving.
  - Operator should do a pre-start walk around inspection of the machine each day before it is used, checking the following:
    1. Nuts, bolts, and belts to make sure they are tight
    2. Infeed, to make sure nothing is obstructing the opening
    3. All fluid levels, including engine oil
  - Always remove the ignition key before servicing the chipper.
  - Check knives for sharpness and cracks. When performing knife maintenance, always wear proper gloves. Remove the chipper chute roll impeller to inspect the knives and when finished, close the chute.
  - Make sure the discharge chute is pointed in the proper direction, away from buildings, bystanders and operators.

**Chipper Operation Safety:** Safe operation of the chipper is crucial.

- Maximum diameter of material to be feed into the chipper shall be 2-1/2" and shall not exceed 6 feet in length, avoid dead or frozen wood in order to avoid kickback.
- Brush for the chipper should be stacked in a way that makes it easy and convenient for the operator to feed the chipper. The butt-ends of the brush should face the chipper infeed. Place the brush stacks at a good distance from the chipper to allow the operator a clear path.
- Before starting the chipper, make sure all personnel are clear of the machine and the chip discharge chute is pointed in a safe direction.

- When starting the machine, always idle the engine to warm it up, and then raise the engine RPM to full throttle. Operator should always make sure the chipper is at full throttle when chipping to insure proper discharge of material and to avoid plugging problems.
- Operators should never operate the machine while under the influence of drugs or alcohol or while taking medication that might impair the operator's ability to concentrate.
- Feed the brush into the chipper butt-end first.
- The operator should never, under any circumstances, place their feet or hands in the infeed chute while the machine is running. An operator should never, for any reason, kick brush in with the feet. To safely feed short material, always lay the short material on top of longer material that is feeding.
- Never attempt to feed handfuls of twigs, leaves and other material that has been raked up. This material should be placed in the chip van or chip pile directly. Not only is it dangerous to feed the material, but also it can contain rocks, metal and other material that can damage the chipper.
- Always examine the brush pile for foreign objects before chipping.
- Remove the ignition key when the machine is left unattended.
- Have a first-aid kit on-site, along with a fire extinguisher.

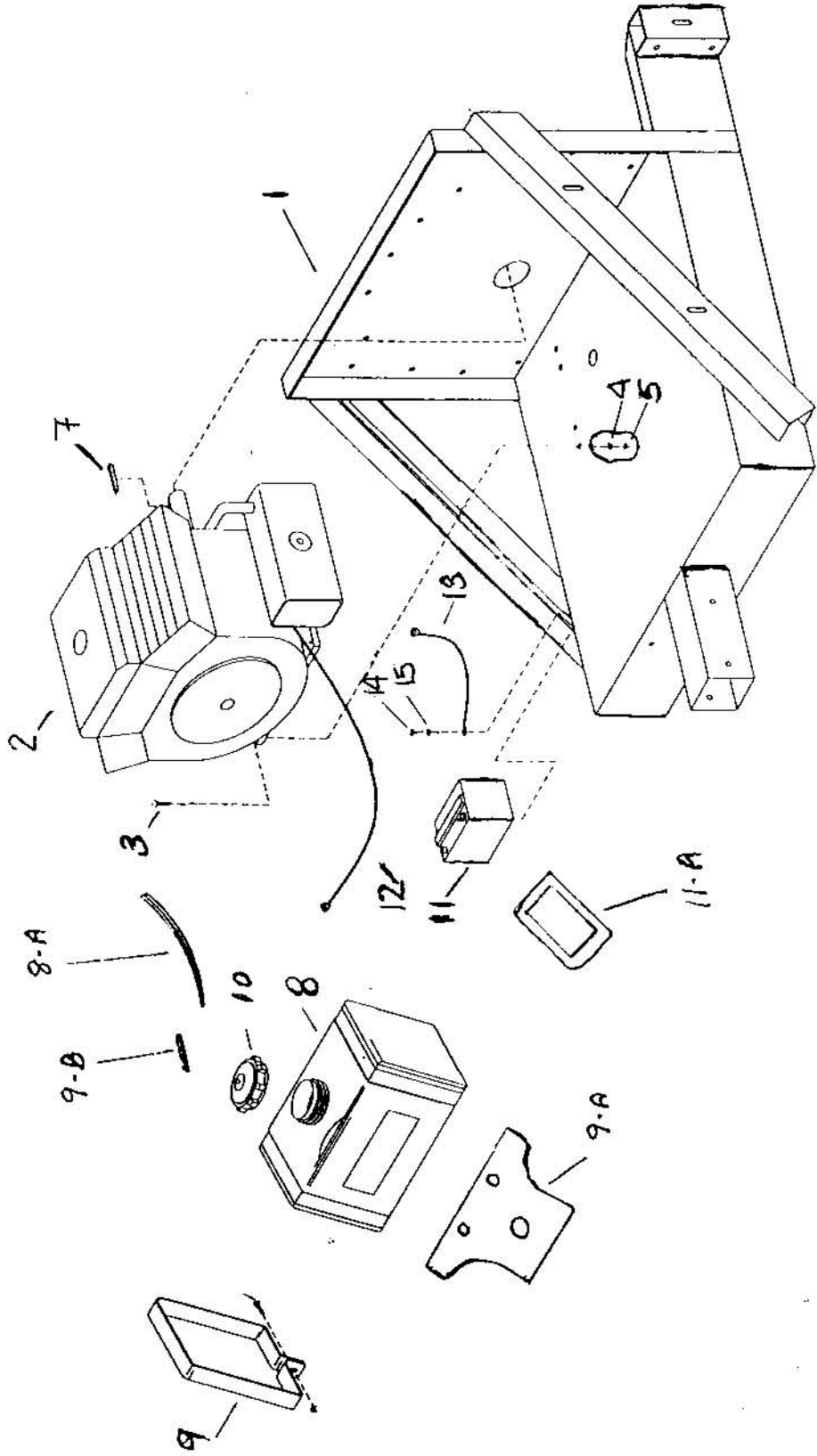
***Chipper Maintenance and Care Safety:*** Maintenance is key to keeping the Giant-Vac chipper in excellent condition. As important as maintenance upkeep is to the chipper, it is equally important to perform all maintenance in a safe manner.

- Never attempt to unclog a chipper or perform any type of maintenance while the chipper is running.
- Before performing any maintenance, turn off the engine and remove the ignition key.
- Let the impeller come to a complete stop before opening the chipper door. The chipper impeller will coast for several minutes after the machine is shut off.
- Once it has stopped coasting, make sure all locking devices are in their proper place before performing maintenance.
- Giant-Vac recommends a torque wrench be used during maintenance to assure that bolts are at their proper tightness.
- When refueling, make sure there is no open flame or source of a spark in the vicinity of the machine.



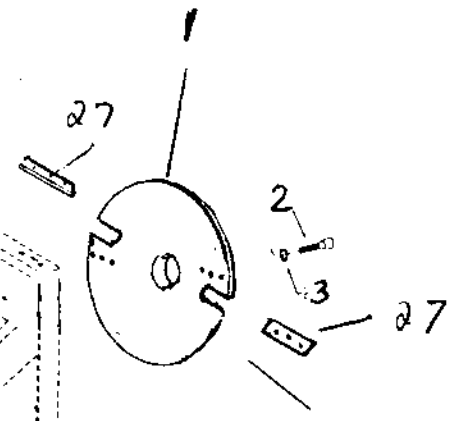
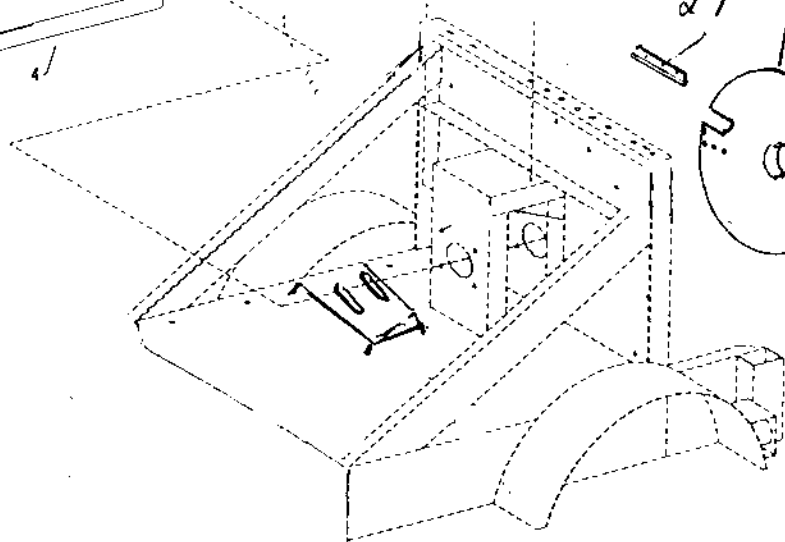
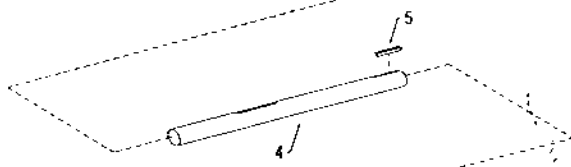
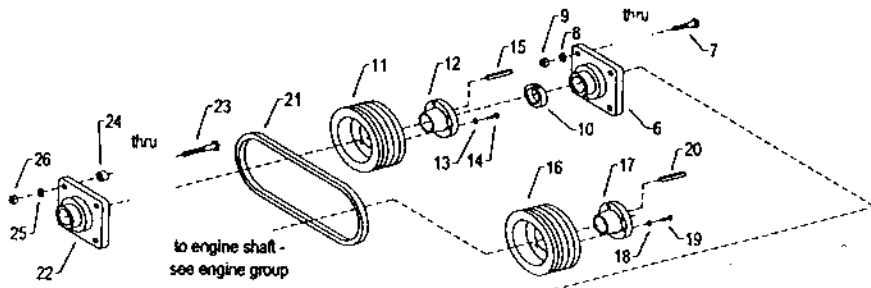


Giant-Vac, Inc.  
Model TLBC20201KH  
Engine Group  
Sheet 1 of 7  
R0307.1



**Giant-Vac Model TLBC35201BVG Chipper**  
Sheet 1 - ENGINE GROUP

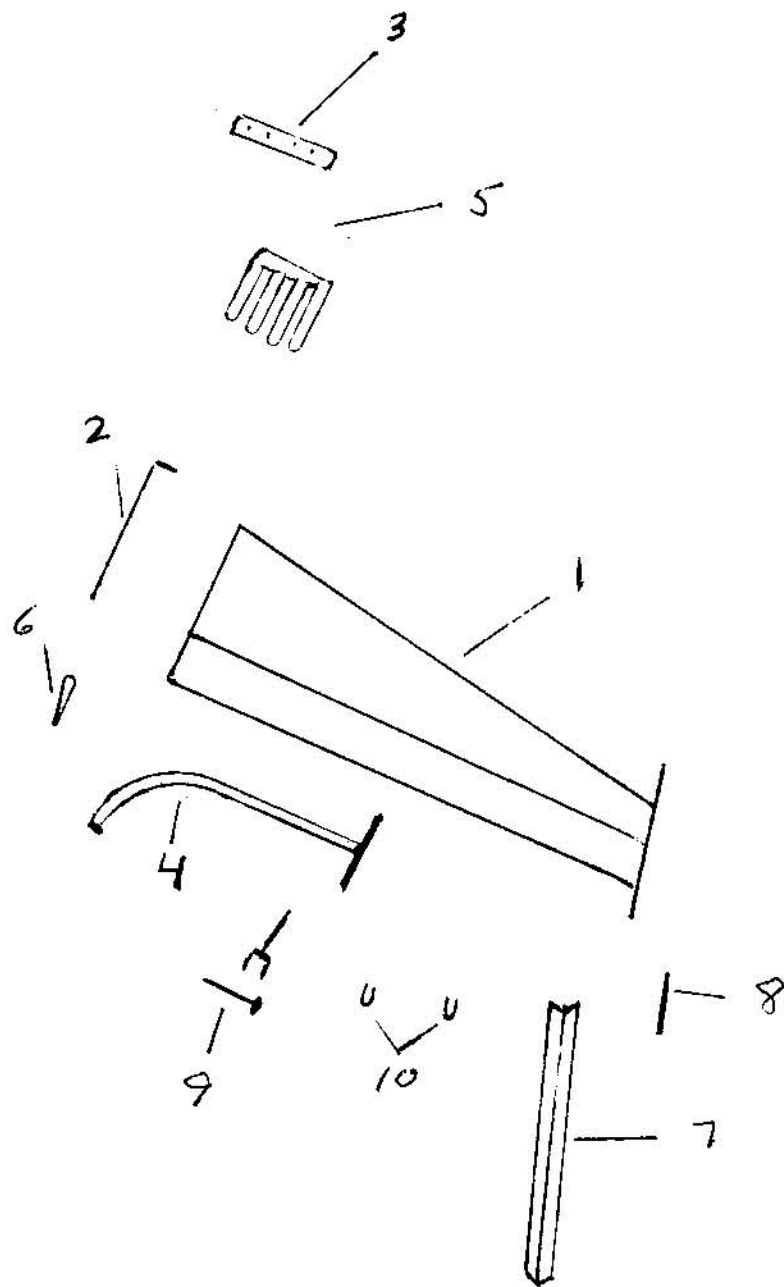
<u>REF. NO.</u>	<u>PART NO.</u>	<u>DESCRIPTION</u>	<u>TLBC35201BVG</u>
1	10196	Engine Base	1
2	39043	35hp Briggs & Stratton Vanguard Engine	1
--	39265	Muffler, Exhaust Assy	1
3	31747	3/8 x 2 Hex Bolt (Motor Mount Bolt)	3
3	31595	3/8 x 1-3/4 Hex Bolt (Motor Mount Bolt)	1
4	31008	3/8 Lock Washer	4
5	31009	3/8 Hex Nut	4
8	40117	Fuel Tank	1
8A	31755	Hose, Rubber Fuel 1/4" x 10" Length	1
--	34041	Clamp, Hose 1/4 Worm Drive	2
9	31157	Fuel Tank Strap	2
9A	31158	Gas Tank Mount	1
9B	31445	Inline Fuel Shutoff Valve	1
10	40119	Fuel Tank Cap	1
11	39020	Battery	1
11A	40118	Battery Box	1
--	31642	Battery Cable - 32SS (Positive)	1
--	31836	Battery Terminal Cover - Red	1
--	31643	Battery Cable - 16SS (Ground)	1
--	31837	Battery Terminal Cover - Black	1



GIANT-VAC, INC.  
 Model TLBC20201KH  
 Impeller Drive Group  
 Sheet 2 of 7  
 R0307.1

**Giant-Vac Model TLBC35201BVG Chipper**  
Sheet 2 - IMPELLER DRIVE GROUP

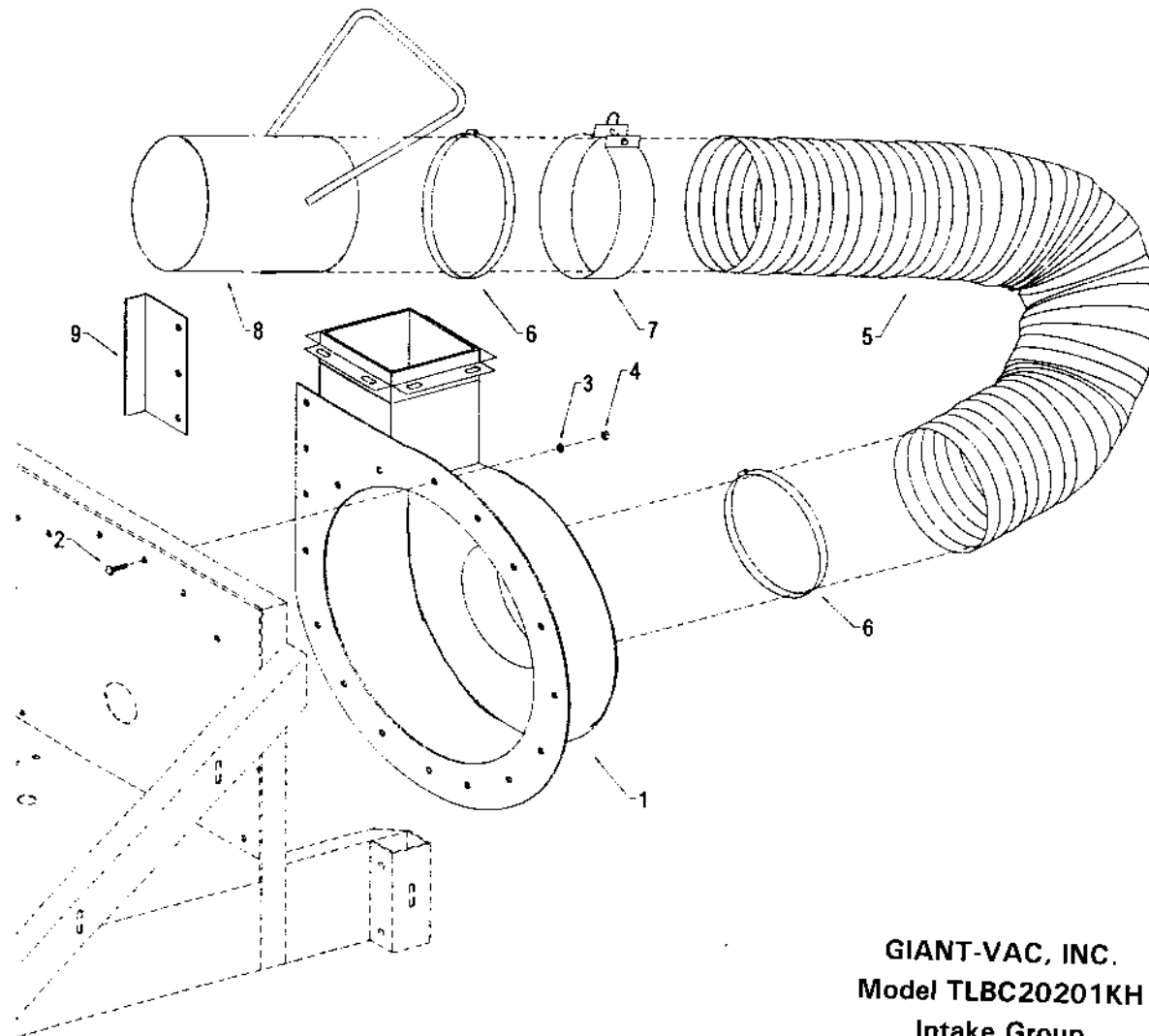
<u>REF. NO.</u>	<u>PART NO.</u>	<u>DESCRIPTION</u>	<u>TLBC35201BVG</u>
1	21607	Impeller	1
2	31447	Impeller Bolt & Key Set	1
3	31326	5/8 Lock Washer	1
4	36196	Impeller Shaft	1
5	31127	Key, Square	1
6	36163	Bearing 1-7/16	1
7	31147	1/2-13 x 1-1/2 Hex Bolt	4
8	31078	1/2 Lock Washer	4
9	31022	1/2 Hex Nut	4
10	31711	Single Split Collar 1-7/16	2
11	36342	Pulley	1
12	36232	Bushing 1-7/16	1
13	31008	3/8 Lock Washer	3
14	31112	3/8-16 x 1-1/2 Hex Bolt	3
15	31677	Key, Square	1
16	36342	Pulley	1
17	36232	Bushing 1-7/16	1
18	31008	3/8 Lock Washer	3
19	31112	3/8-16 x 1-1/2 Hex Bolt	3
20	31677	Key, Square	1
21	36339	Belt 3VX530-4	1
22	36163	Bearing 1-7/16	1
23	31740	1/2-13 x 2 Hex Bolt	4
24	31460	Spacer	4
25	31078	1/2 Lock Washer	4
26	31022	1/2 Hex Nut	4
27	81171	Chipper Blade	2



GIANT-VAC, INC.  
Model TLBC20201KH  
Chipper Chute Group  
Sheet 3 of 7  
R0307.1

**Giant-Vac Model TLBC35201BVG Chipper**  
Sheet 3 - CHIPPER CHUTE GROUP

<u>REF. NO.</u>	<u>PART NO.</u>	<u>DESCRIPTION</u>	<u>TLBC35201BVG</u>
1	24661	Chipper Chute	1
2	24662	Chipper Chute Door	1
3	24663	Chipper Door Hinge	1
4	24664	Chipper Chute Plunger	1
5	23070	Rubber Deflector Flap	1
6	32213	Rubber Tie Down	1
7	24667	Chute Support	1
8	81373	Bed Knife	1
9	24669	Safety Holder	1
10	24671	Plunger Holder	2

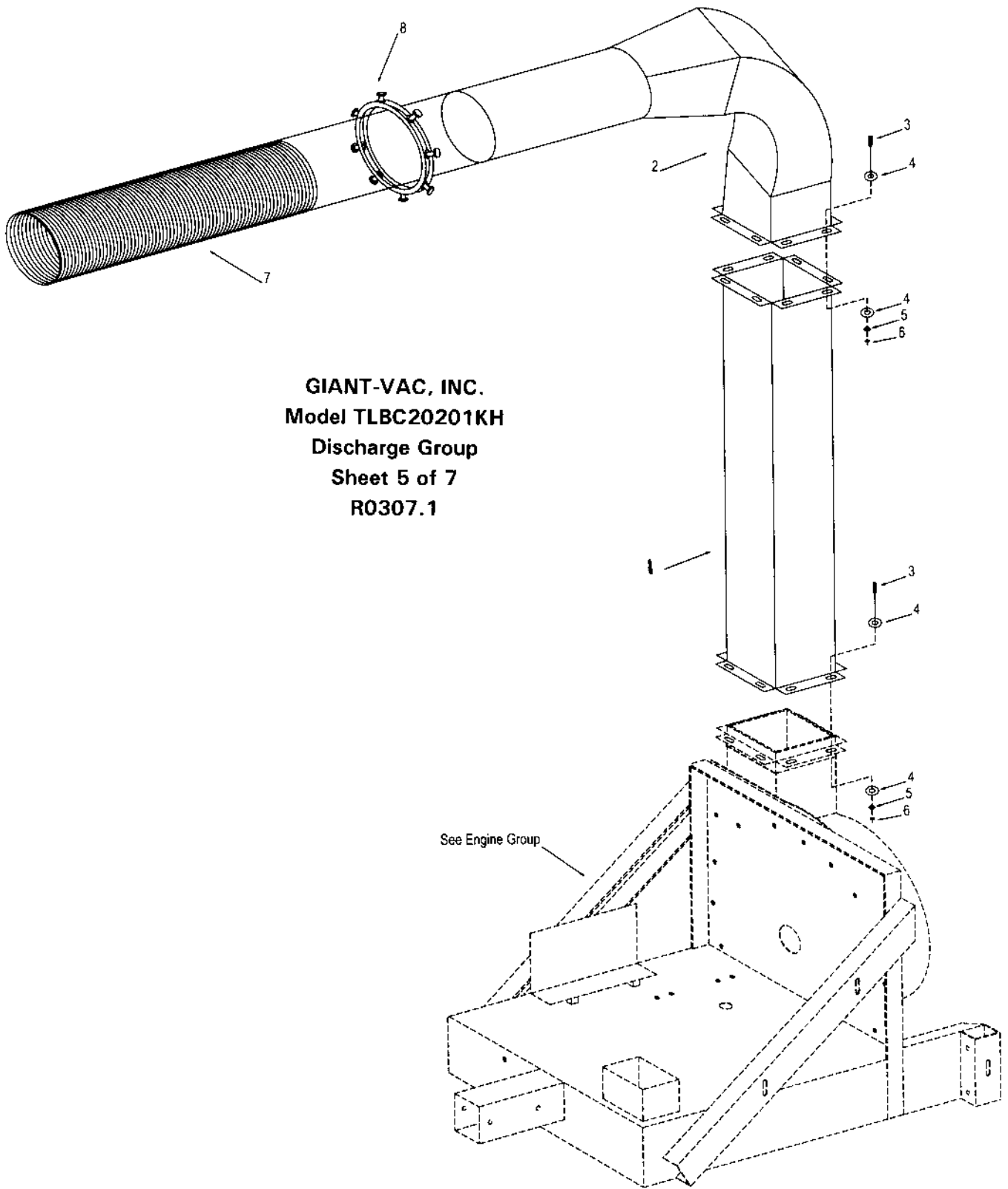


**GIANT-VAC, INC.**  
**Model TLBC20201KH**  
**Intake Group**  
**Sheet 4 of 7**  
**R0307.1**



**Giant-Vac Model TLBC35201BVG Chipper**  
 Sheet 4 - INTAKE GROUP

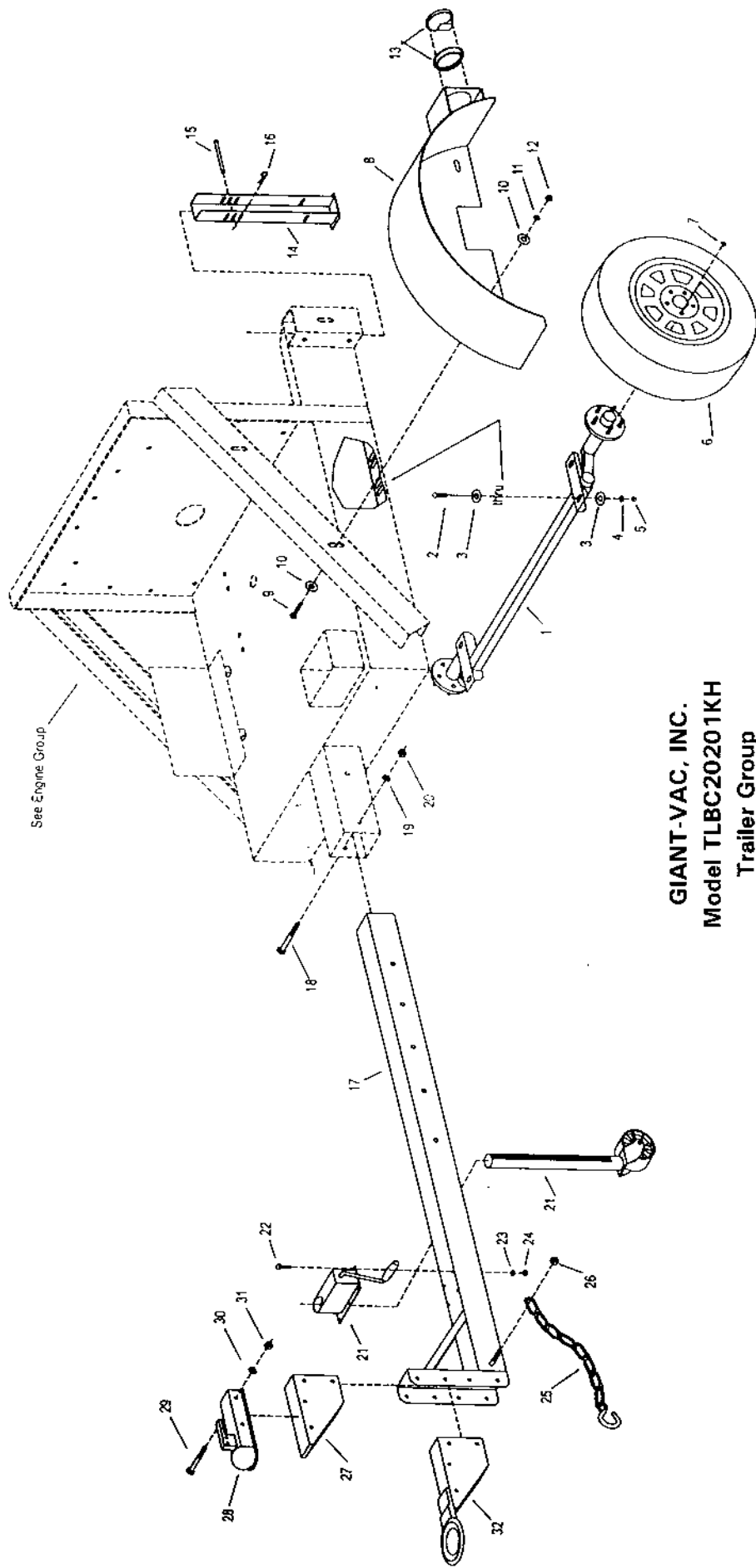
<u>REF. NO.</u>	<u>PART NO.</u>	<u>DESCRIPTION</u>	<u>TLBC35201BVG</u>
1	10239	Housing, Impeller - Complete with Liner Kit Below	1
--	70865	Liner, 2-pc Replaceable Wear - with Hardware	1
2	31033	3/8-16 x 1 Hex Bolt	18
3	31008	3/8 Lock Washer	18
4	31009	3/8-16 Hex Nut	18
5	34019	Hose, Intake 12" x 10'	1
6	34020	Clamp, Hose 12"	1
6	34031	Clamp, Hose 12" with Safety Swtich Activator Plate	1
7	40110	Band, Hose Support 12" with Hardware	1
--	31141	5/16-18 x 3-1/2 Hex Bolt (Support Band Hardware)	1
--	31004	5/16-18 Hex Nut	2
8	20165	Nozzle, Intake 12" w/Adjustable Handle	1
--	20168	Handle, Adjustable with Foam Grip	1
9	27268	Plate, Hose Protector	1



**GIANT-VAC, INC.**  
**Model TLBC20201KH**  
**Discharge Group**  
**Sheet 5 of 7**  
**R0307.1**

**Giant-Vac Model TLBC35201BVG Chipper**  
Sheet 5 - DISCHARGE GROUP

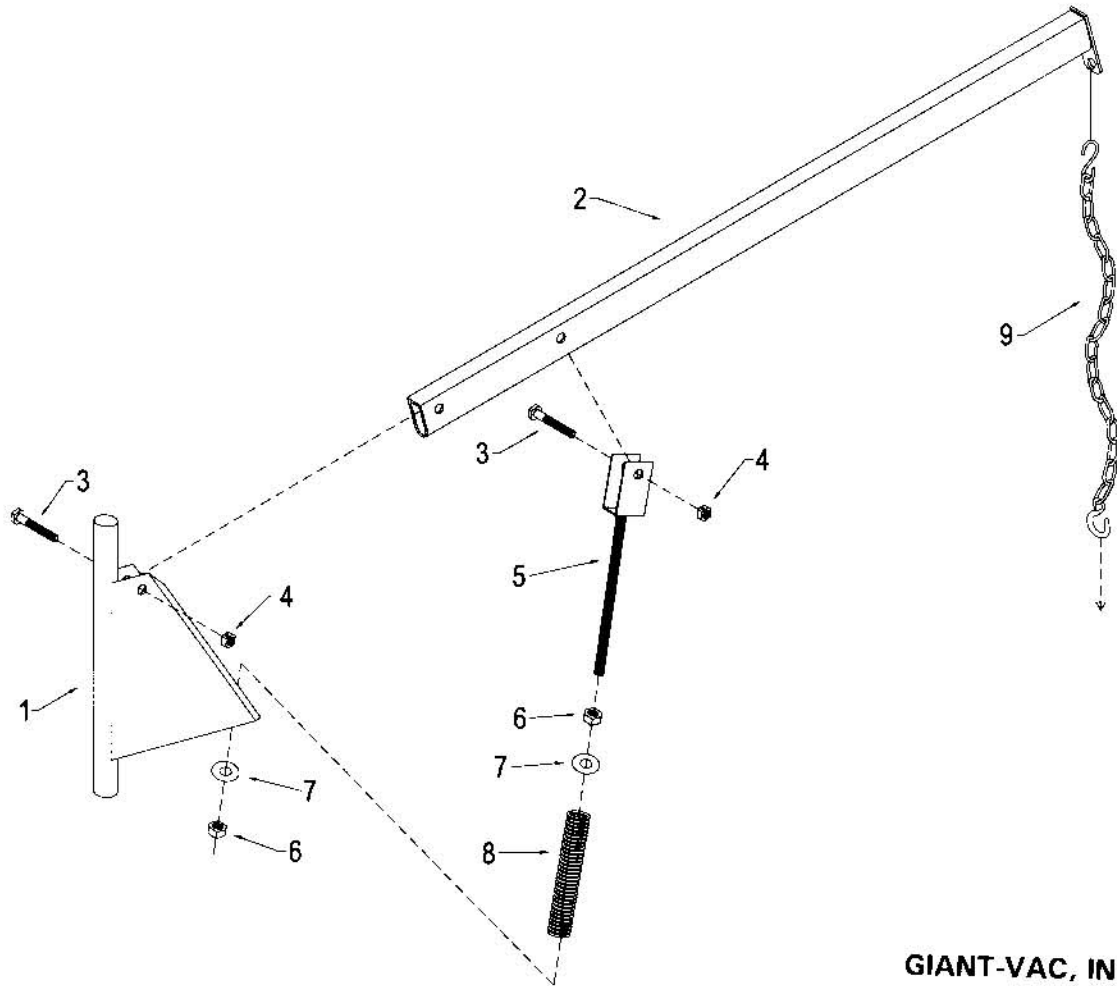
<u>REF. NO.</u>	<u>PART NO.</u>	<u>DESCRIPTION</u>	<u>TLBC35201BVG</u>
1	24640	Discharge Stack	1
2	24614	Discharge Elbow (No Off Set)	1
3	31097	3/8-16 x 1-1/4 Hex Bolt	16
4	31034	3/8 Flat Washer	32
5	31008	3/8 Lock Washer	16
6	31009	3/8-16 Hex Nut	16
7	34021	Hose, Discharge 8" x 5' Metal	1
8	34048	Ring, Squeeze 8"	1
--	31086	1/2-13 x 1-3/4 Hex Bolt	8



**GIANT-VAC, INC.**  
**Model TLBC20201KH**  
**Trailer Group**  
**Sheet 6 of 7**  
**R0307.1**

**Giant-Vac Model TLBC35201BVG Chipper**  
Sheet 6 - TRAILER GROUP

<u>REF. NO.</u>	<u>PART NO.</u>	<u>DESCRIPTION</u>	<u>TLBC35201BVG</u>
1	33232	Torflex Axle	1
2	32154	1/2-13 x 1-1/4 Hex Bolt	4
3	32155	1/2 Flat Washer	8
4	31078	1/2 Lock Washer	4
5	32156	1/2-13 Hex End Lock Nut	4
6	33051	F78 x 15 Tire and Wheel Assembly	2
7	31152	1/2-20 Lug Nut	10
8	33303	Fender - Left Side	1
8	33302	Fender - Right Side (Not Shown)	1
9	31033	3/8-16 x 1 Hex Bolt	6
10	31034	3/8 Flat Washer	12
11	31008	3/8 Lock Washer	6
12	31009	3/8-16 Hex Nut	6
13	31639	Tail Lamp (w/Rubber Mounting Ring)	2
--	31640	Tail Lamp Wiring Harness	1
--	31644	Wiring Harness Bold Clip - Large	7
--	31823	Wiring Harness Bold Clip - Small	2
--	32090	#10 x 1/2" Self-Tapping Screw (Fastens Grounds)	2
14	40126	Support Leg	1
15	31125	3/8 x 4" Clevis Pin	1
16	31126	Bridge Pin	1
17	38044	Draw Bar - Swing Jack Style	1
18	31017	5/8 x 4-1/2 Hex Bolt	4
19	31326	5/8 Split Lock Washer	4
20	31199	5/8 Lock Nut	1
21	33176	Jack, Trailer Support Swing Away Style	2
--	31033	3/8-16 x 1 Hex Bolt	4
--	31008	3/8 Lock Washer	4
--	31009	3/8-16 Hex Nut	4
22	31495	3/8-16 x 5 Hex Bolt	2
23	31108	3/8 Split Lock Washer	1
24	31126	Bridge Pin	1
25	31641	Chain, Safety w/1 S-Hook	1
26	31047	1/2-13 x 5 Hex Bolt	1
27	38014	Ball Hitch Mount, Black	1
28	38011	Ball Hitch	1
29	31467	1/2-13 x 3-1/2 Hex Bolt	1
30	31078	1/2 Lock Washer	1
31	31406	1/2 Lock Nut	1
32	38012	Pintle Ring (Optional)	1
36	31671	Chain, Nozzle Retainer 1/2 x 12"	1
37	31495	3/8-16 x 5 Hex Bolt	1



**GIANT-VAC, INC.**  
**Model TLBC20201KH**  
**Hose Support Boom Group**  
**Sheet 7 of 7**  
**R0307.1**

**Giant-Vac Model TLBC35201BVG Chipper**  
Sheet 7 - HOSE SUPPORT BOOM GROUP

<u>REF. NO.</u>	<u>PART NO.</u>	<u>DESCRIPTION</u>	<u>TLBC35201BVG</u>
1	40107	Boom Vertical Member	1
2	40131	Boom Horizontal Member	1
3	31025	1/2-13 x 3 Hex Bolt	2
4	31406	1/2-13 Lock Nut	2
5	40108	Guide, Threaded Spring	1
6	31110	3/4-10 Hex Nut	3
7	31023	3/4 Flat Washer	2
8	31332	Spring, Boom	1
9	31140	Chain, Boom w/2 S-Hooks	1

# *warranty*

**GIANT-VAC, INC.**, here-in-after called Giant-Vac, warrants each new Giant-Vac to the original retail purchaser of the new Giant-Vac equipment to be free from manufacturing defects in normal service for a period of 1 year, unless it is used for rental purposes, which limits the warranty to 30 days. This warranty does not apply to engines, tires or other parts that are purchased and warranted by their manufacturer. Items such as bags, grass catchers, hoses and blades are not warranted, as these are considered expendable items. This warranty does not include equipment failures due to normal wear.

Any obligation under this warranty is expressly limited to the replacement or repair, at an authorized servicing Giant-Vac dealer, or at a point designated by us, of such parts as appear to us to have been defective. All defective parts have to be returned freight prepaid before credit will be issued.

We shall not be liable for transportation charges in connection with the replacement or repair of defective parts.

This warranty does not apply to a Giant-Vac upon which repairs or alterations have been made by others except with our prior written approval.

We shall not be liable for consequential damages or contingent liabilities for the fitness of any Giant-Vac for any particular purpose.

We make no other express, implied or statutory warranty, nor is anyone authorized to make any in our behalf.

**GIANT-VAC®**

535 Macon Street  
McDonough, GA 30253  
PHONE: 866-792-8223