

ASSEMBLY AND OPERATIONS INSTRUCTIONS
FOR
GIANT-TRUCK LOADER
MODEL 3000 TM

Your shipment of a 3000 TM Giant-Truck Loader should consist of the following parts:

- 1 - Power unit and blower housing assembly with forward leveling support stand.
- 1 - Axle and draw bar, containing leveling jack and a 3 inch round hitch.
- 1 - 4 foot length of 10-1/2 inch square straight exhaust section.
- 1 - 10-1/2 inch square curved exhaust section.
- 1 - 5 foot length of 12 inch flexible metal hose.
- 1 - Intake flange.
- 1 - 7 foot length of intake hose with wear strip.
- 1 - Intake nozzle.
- 1 - Boom Assembly.
- 1 - Hose support band.
- 1 - Length of chain to connect hose support band to boom.
- 1 - Necessary hardware for assembly.
- 1 - Engine manual.

Inspect parts for any damage that might have occurred in shipping. If any is found, or any shortages noted, notify the transport carrier who delivered your machine as he is responsible for the damage and is the only one to make any adjustments. Before leaving our plant, all components were completely inspected. All manufacturing dimensions are held to close tolerances, and thus, you will have little difficulty in assembling your Giant-Truck Loader if you follow these steps.

ENGINE INSTRUCTIONS: An engine manual is supplied with each shipment. This should be read carefully. Instructions on oil changes should be carefully noted to ensure maximum engine life.

We recommend that the engine be run at a fast idle for at least 6 hours. Following this, the engine should be re-tuned. A good check should include the carburetor and timing adjustments.

The engine is warranted by the engine manufacturer. Please be certain to mail to them, the warrantee card IMMEDIATELY. If any engine problems exist, please contact their nearest service center as only they can authorize any warrantee claims.

ASSEMBLY: The axle should be bolted to the lower portion of the blower housing in the most forward position in relation to the blower housing. This ensures optimum balance for operation conditions.

The forward kick stand should then be lowered to level the unit. The aft screw jack should then be cranked down to steady the machine.

The exhaust sections should next be installed. Each section is secured by four 3/8 inch bolts through the corner clips and two 1/2 inch bolts on the side clips. The 1/2 inch bolts should be securely locked as a safety precaution.

The boom holder is located on the straight four foot section. This should be so positioned that the boom is located over the intake flange. The square to round exhaust section is next fastened to the end of the curved square section. Again, make sure the 1/2 inch bolts are securely locked. The boom should then be installed in the boom holder. This is done by sliding the vertical arm into the upper bracket and then dropping down into the lower bracket. The outrigger arm is next installed and fastened with a 1/2 inch bolt and lock nuts. The threaded support spring arm is fastened which completes this assembly.

HOSE ASSEMBLY AND POSITIONING: The hose is next installed and secured to the flange by means of a stainless steel hose clamp. Following this, the boom hose support band is slipped over the hose. This should be secured about 2 feet from the end of the hose. The pick-up nozzle is next installed and fastened with a second hose clamp.

A chain connects the hose support band to the end of the boom. It is vitally important that this chain is adjusted correctly for ease of operation. In general, the chain should be so adjusted that the nozzle is approximately 12 inches off the ground.

The ultimate check to be certain this adjustment is correct takes place after the machine is running at operating speed. To make this check, speed up the engine. You should then be able to push the nozzle to the ground and pull it back up by using three fingers of one hand. If you cannot operate the nozzle accordingly, either the chain should be re-adjusted or the spring tension of the boom assembly changed. A few minutes time in adjusting this correctly will ensure ease in operation.

CONNECTING TO TRUCK: Your 3000 TM Giant-Truck Loader is very versatile. It can be readily mounted to a dump truck, garbage packer, etc. Many users find it advantageous to mount the hitch off center and to the right hand side of the truck. In this way, the Giant-Truck Loader tows closer to the curb.

After the Giant-Truck Loader is hitched to the truck, a 16 inch diameter hole should be cut in the back of the truck. This should be directly over the hitch and at the same height as the exhaust section. A rubber gasket should be placed around this hole. A 14 inch inner tube makes an ideal gasket for this.

The 5 foot section of flexible metal hose goes through this hole. It is then slightly curved and slipped over the end of the square to round. This metal hose should then be tack-welded or bolted to the square to round.

OPERATION: Your 3000 TM Giant-Truck Loader is a very easy machine to operate. Be certain the boom is properly adjusted according to the instructions found in an earlier section of this manual.

In operation, you will note the boom will readily swing over a 10 foot path. This allows you to readily clean a wide area efficiently. If the pile is high, a short back and forth flicking motion will effectively eat into the pile of leaves. If the leaves are wet, it is best to move into the pile with a "gulping" motion. In this way, you will pick up a quantity and then move the hose slightly away from the pile to allow the leaves to rapidly flush through.

When the truck is loaded, the unit may readily be uncoupled from the truck. To do this, first lower the rear support stand. Next, crank down the forward jack. The machine is next uncoupled from the truck which is now ready to go to the dump.

The reverse is performed for recoupling. Quite often, a "U" bracket placed on the end of a pole is used to support and guide the flexible metal hose into the aperture in the truck.

DEBRIS BOXES: Your Giant-Truck Loader can readily be used in conjunction with a dump truck or garbage packer. The following are a few thoughts which we hope might be helpful in constructing these boxes.

To begin with, it is important to have an adequate screened section for allowing the tremendous volume of air that your Giant-Truck Loader gulps up each minute, to escape. As a matter of fact, we strongly recommend the entire top be covered with screen. One inch expanded mesh or 1/4 inch square wire makes an excellent screen. The theory behind this is quite simple. For example, if 10 square feet of exhaust section would produce a 100 miles per hour exhaust velocity, this would be cut down to a 10 miles per hour exhaust velocity if the opening was increased to 100 square feet.

If a dump truck is used, the collection box is generally fabricated out of plywood and angle iron. Quite often, a 3 inch angle iron frame is first fabricated. The sides are lined with 3/4 inch thick exterior type plywood. Do not use any thinner plywood as the internal pressure is apt to blow the sides out.

A frame is made for the top which is next covered with metal screening. The dump truck door should be removed. A door should then be fabricated which is hinged at the top. This also can be fabricated from angle iron and plywood.

WARRANTY: Within 90 days from the purchase date, Giant-Vac Mfg. Incorporated will replace free of charge for the original purchaser, any part or parts returned to the factory at South Windham, Connecticut, and found by us to be defective in material and/or workmanship.

REFERENCE: Parts Lists Numbers. . 5721, 5722 and 5723.

FEBRUARY 1982

WARRANTY

GIANT-VAC MFG. COMPANY INCORPORATED, here-in-after called Giant-Vac, warrants each new Giant-Vac to the original retail purchaser of new Giant-Vac equipment to be free from manufacturing defects in normal service for a period of 90 days, unless it is used for rental purposes which limits the warranty to 30 days. This warranty does not apply to engines, tires or other parts that are manufactured and warranted by the manufacturer. Items such as bags, grass catchers, hoses and blades are not warranted, as these are considered expendable items. This warranty does not include equipment failures due to normal wear.

An obligation under this warranty is expressly limited to the replacement or repair at an authorized servicing Giant-Vac dealer, or at a point designated by us, of such parts or parts as such appear to us to have been defective. All defective parts have to be returned freight prepaid before credit is issued.

We shall not be liable for transportation charges in connection with the replacement or repair of defective parts.

This warranty does not apply to a Giant-Vac upon which repairs or alterations have been made by others except with our prior written approval.

We shall not be liable for consequential damages or contingent liabilities nor for the fitness of any Giant-Vac for any particular purpose.

We make no other express, implied or statutory warranty, nor is anyone authorized to make any in our behalf.

SAFETY AND OPERATING INSTRUCTIONS
FOR GIANT-VAC LEAF LOADERS

CAUTION
ROTATING PARTS

1. BEFORE OPERATING READ OPERATORS MANUAL FOR OPERATING AND SAFETY INSTRUCTIONS.
2. DO NOT OPERATE WITH ANY GUARDS OR COMPONENT PARTS REMOVED FROM UNIT.
3. BEFORE MAKING ANY ADJUSTMENTS OR REPAIRS, STOP ENGINE AND REMOVE SPARK PLUG WIRES ON GAS ENGINES - ON DIESEL ENGINE BE SURE ENGINE KILL SWITCH IS ACTIVATED.
4. WHILE IN OPERATION KEEP ALL PARTS OF BODY AWAY FROM INTAKE AND EXHAUST SECTIONS.
5. WHEN OPERATING MACHINE KEEP PEOPLE AND PETS A SAFE DISTANCE AWAY.

TRAINING:

1. Regard your Giant-Vac Leaf Loader as a piece of power equipment and teach this regard to all who operate this unit.
2. Never allow children or young teen-agers to operate the Giant-Vac Leaf Loader.
3. Be sure you know how to stop the engine at a **MOMENT'S NOTICE**.
4. Instruct children to keep away from the area of operation at all times.

PREPARATION:

1. Before starting operation, clear the entire work area of all debris that could catch on or be thrown by the Giant-Vac Leaf Loader.
2. Unless there is very good artificial light, use only during the daylight hours.
3. Fill the Giant-Vac Leaf Loader fuel tank outdoors. Avoid spilling fuel and do not fill the tank while engine is running or while you are smoking.

OPERATION:

1. Do not operate with any guards or component parts removed from unit.
2. Before making any adjustments or repairs, stop engine and remove the spark plug wire on gas engines - on diesel engines be sure engine kill switch is activated.
3. While in operation, keep all parts of body away from intake and exhaust sections.
4. When operating machine, keep people and pets a safe distance away.
5. Follow the engine manufacturer's recommendations for safe operation.
6. Use caution in selecting your cleaning pattern.
7. The Giant-Vac Leaf Loader is designed to be used in conjunction with a dump truck that has a receiver box installed. Be sure the receiver box is of adequate construction to withstand the high velocity and force of the incoming debris. **NEVER** run or operate your Giant-Vac Leaf Loader unless it is completely connected to a receiver box and the intake hose is installed.

8. Never allow another person to ride or stand on the Giant-Vac Leaf Loader. Never allow another person to ride, sit or stand on the towing vehicle other than in the drivers cab of the towing vehicle.
9. Make sure the operator of the towing vehicle has the operator of the Giant-Vac Leaf Loader in full view at all times. Also when operating a Giant-Vac Leaf Loader, instruct the hose operator to stay behind or to the side of the Leaf Loader - never in front.

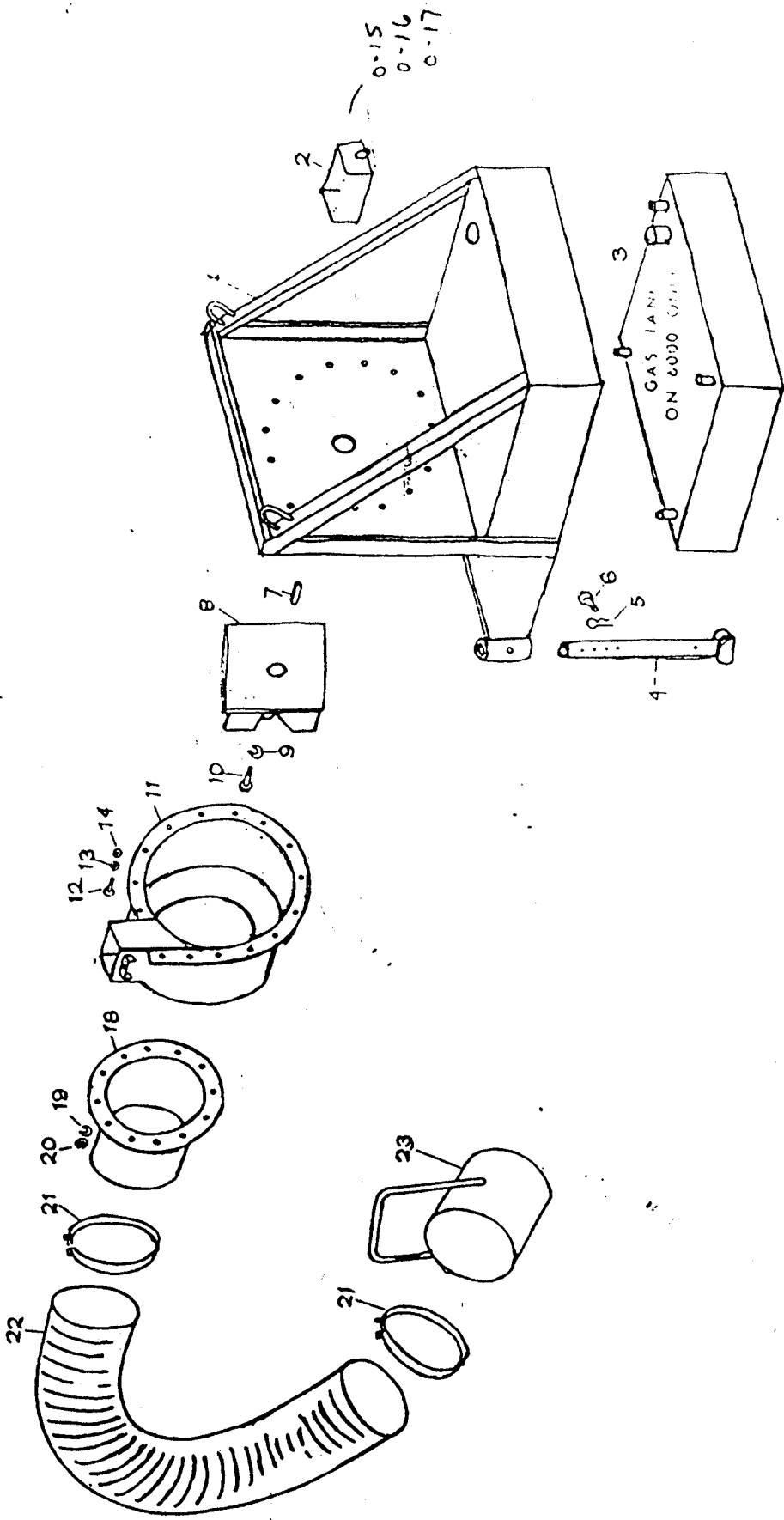
PARTS LIST NO. 5721

GIANT-TRUCK LOADER
POWER UNIT - TRAILER MOUNTED
MODELS 3000 - 6500 - 6800

REF.	PART		3000	6500	6800
<u>NO.</u>	<u>NO.</u>	<u>DESCRIPTION</u>			
1	10036	Engine Base	1		
1	10037	Engine Base		1	
1	10038	Engine base			1
2	40100	Battery Box	1		
2	40101	Battery Box		1	
2	40102	Battery Box			1
3	40103	Gas Tank		1	
3	40104	Gas Tank			1
4	40105	Adjustable Leg	1	1	1
5	31126	Spring Clip	1	1	1
6	31125	Pin 3" x 3/8"	1	1	1
7	31127	Impeller Key	1		
7	31128	Impeller Key		1	
7	31129	Impeller Key			1
8	21518	Impeller	1		
8	21519	Impeller		1	
8	21520	Impeller			1
9	31326	Lockwasher	1		
9	31326	Lockwasher		1	
9	31326	Lockwasher			1
10	31327	Impeller Bolt (Allen) 5/8" x 2"	1		
10	31328	Impeller Bolt (Allen) 5/8" x 2-1/2"		1	
10	31329	Impeller Bolt			1
11	10041	Blower Housing	1		
11	10042	Blower Housing		1	
11	10043	Blower Housing			1
12	31124	Hex head bolt 3/8" x 1"	13		
12	31122	Hex head bolt 1/2" x 1-1/4"		18	18
13	31115	Lockwasher 3/8"	13		
13	31121	Lockwasher 1/2"		18	18
14	31116	Hex nut 3/8"	13		
14	31118	Hex nut 1/2"		13	13
14	31123	Hex bolt 3/8" x 1-1/4"	2	2	2
16	31115	Lockwasher 3/8"	2	2	2
17	31116	Hex nut 3/8"	2	2	2
18	20159	Intake Flange 16"	1		
18	20160	Intake Flange 18"		1	1
19	31121	Lockwasher 1/2"	12	16	16
20	31118	Hex nut 1/2"	12	16	16
21	34024	Clamp 16"	2		
21	34025	Clamp 18"		2	2
22	34022	Intake Hose 16" x 7'	1		
22	34023	Intake Hose 18" x 8'		1	1
23	20157	Intake Nozzle 16"	1		
23	20158	Intake Nozzle 18"		1	1
	39021	Battery	1	1	1
	39022	30 HP Wisconsin Engine	1		
	39023	65 HP Wisconsin Engine		1	
	39024	68 HP Ford Engine			1

JANUARY 1980

GIANT TRUCK LOADER POWER UNIT MODEL 3000 & MODEL 6000



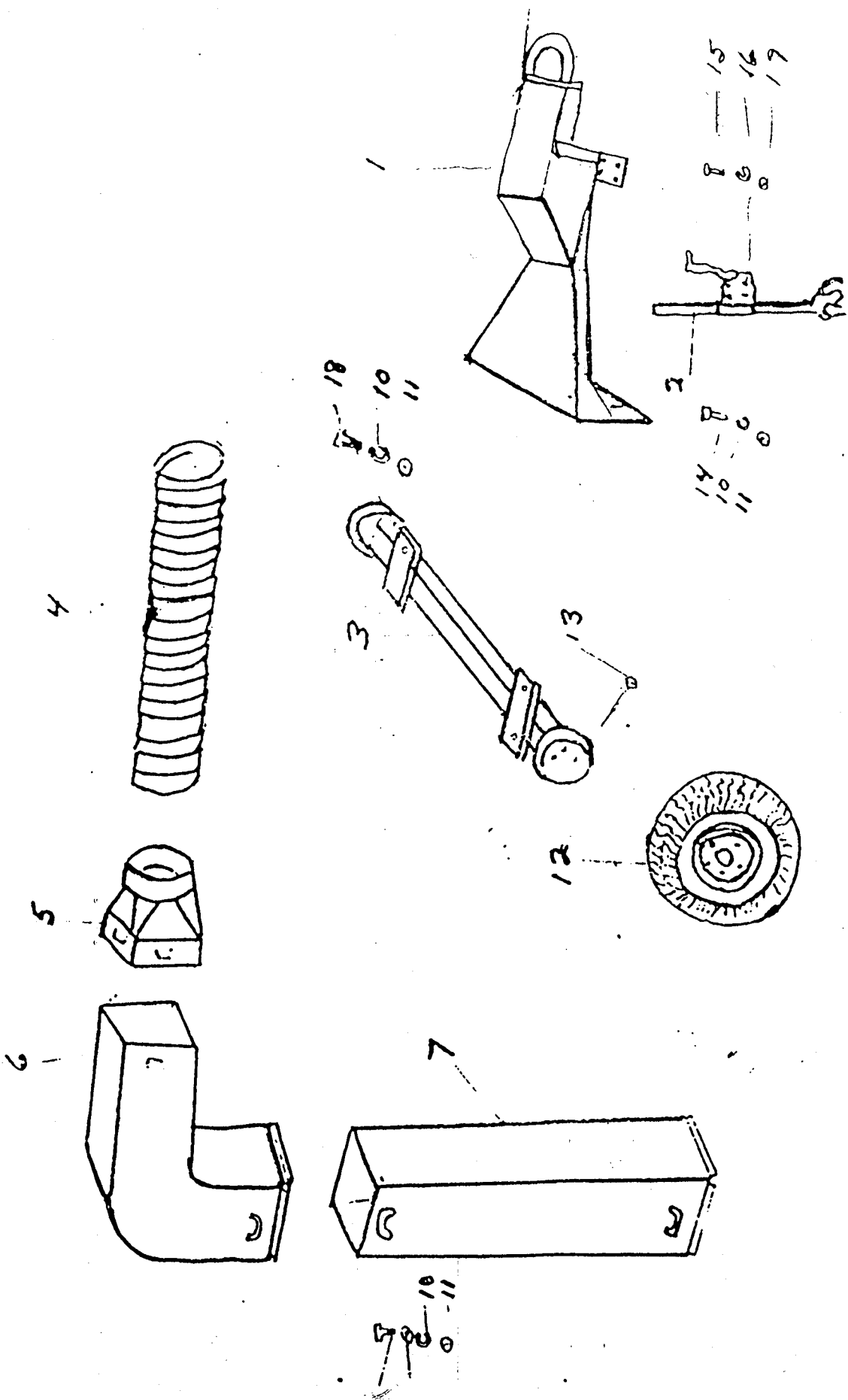
PARTS LIST NO. 5723

GIANT-TRUCK LOADER
EXHAUST SECTION - TRAILER MOUNT
MODELS 3000 - 3001-C - 6001-C - 6500 - 6800

<u>REF.</u> <u>NO.</u>	<u>PART</u> <u>NO.</u>	<u>DESCRIPTION</u>	<u>3001-C</u> <u>3000</u>	<u>6001-C</u> <u>6500</u>	<u>6800</u>
1	38004	Draw Bar	1	1	1
2	33040	Support Jack	1	1	1
3	33048	Axle and Hubs	1		
3	33049	Axle and Hubs		1	
3	33050	Axle and Hubs			1
4	34026	Metal Exhaust Hose 12" x 5'	1	1	1
5	24538	Square to Round 12" x 10-1/2"	1		
5	24539	Square to Round 12" x 12"		1	1
6	24540	Exhaust Elbow	1		
6	24541	Exhaust Elbow		1	1
7	24542	Exhaust Stack	1		
7	24543	Exhaust Stack		1	1
8	31117	Hex Bolt 1/2" x 4-1/2"	6	6	6
9	31119	Flat Washer 1/2"	16	16	16
10	31121	Lockwasher 1/2"	21	21	21
11	31118	Hex Nut 1/2"	21	21	21
12	33051	Tire and Rim 15"	2	2	2
13	31148	Lug Nut	10	10	10
14	31122	Hex Bolt 1/2" x 1-1/4"	5	5	5
15	31114	Hex Bolt 3/8" x 1"	4	4	4
16	31115	Lockwasher 3/8"	4	4	4
17	31116	Hex Nut 3/8"	4	4	4
18	31147	Hex Bolt 1/2" x 1-1/2"	4	4	4

FOR MODELS 3000 - 6500 - 6800 14

TRAILER MOUNTED
EXHAUST SECTION



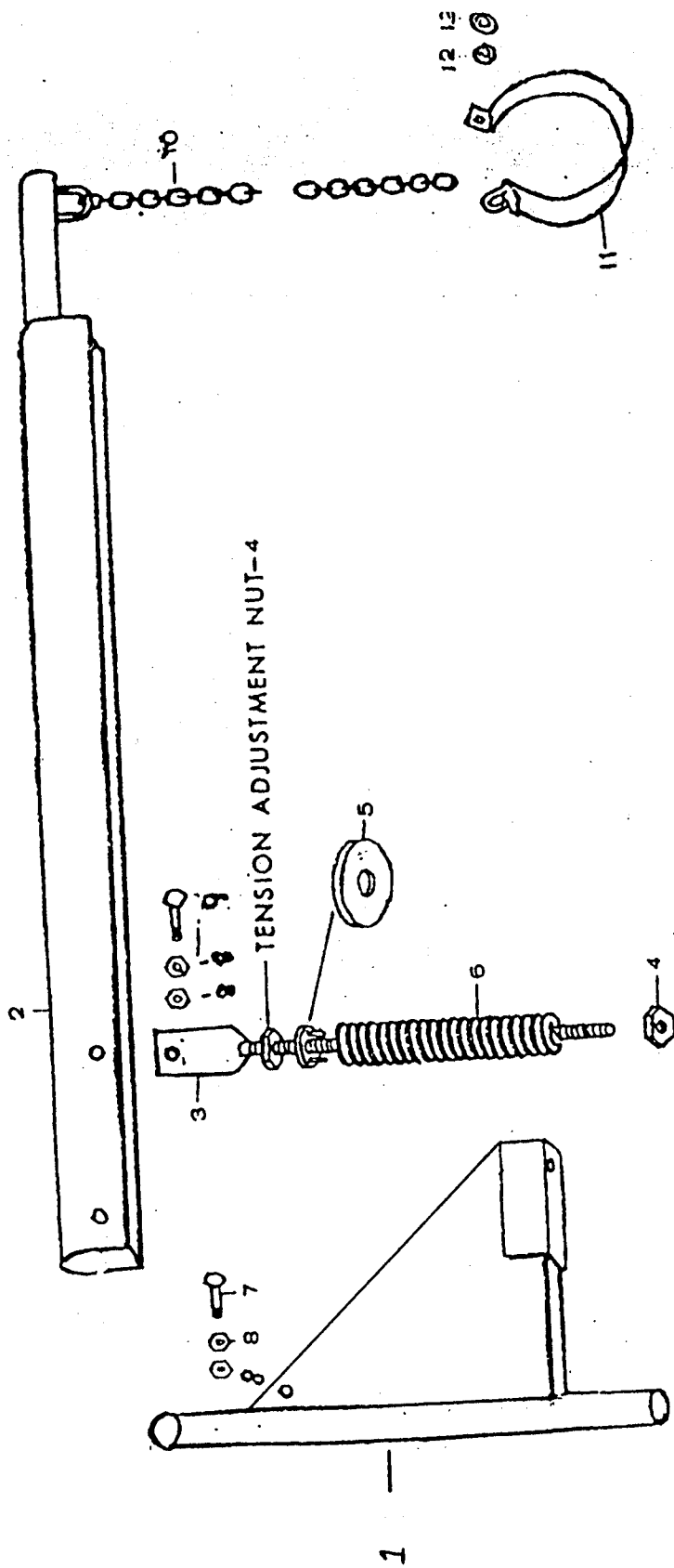
PARTS LIST NO. 5722

HOSE SUPPORT BOOM
FOR
GIANT-TRUCK LOADERS

<u>REF.</u> <u>NO.</u>	<u>PART</u> <u>NO.</u>	<u>DESCRIPTION</u>	<u>1001-C</u> <u>1601-C</u>	<u>1901-C</u> <u>2001-C</u>	<u>3001-C</u>	<u>6500</u> <u>6600</u>	<u>6800</u>	<u>9800</u>
1	40107	Boom Vertical Member	1	1	1	1	1	1
2	40106	Boom Horizontal Member	1	1	1	1	1	1
3	40108	Threaded Spring Guide	1	1	1	1	1	1
4	31330	Hex Nut 5/8"	2	2	2	2	2	2
5	31331	Flat Washer 5/8"	2	2	2	2	2	2
6	31332	Boom Coil Spring	1	1	1	1	1	1
7	31333	Hex Head Bolt 1/2" x 3"	1	1	1	1	1	1
8	31334	Jam Nut 1/2"	4	4	4	4	4	4
9	31335	Hex Head Bolt 1/2" x 4"	1	1	1	1	1	1
10	31140	Chain	1	1	1	1	1	1
11	40109	Hose Support Band	1					
11	40110	Hose Support Band		1				
11	40111	Hose Support Band			1			
11	40112	Hose Support Band				1	1	1
12	31141	Hex Bolt 5/16" x 3"	1	1	1	1	1	1
13	31142	Hex Head Nut 5/16"	2	2	2	2	2	2
14	31143	Flat Washers 5/16"	2	2	2	2	2	2

MAY 1984

HOSE SUPPORT BOOM



HOSE SUPPORT BOOM

