

INSTRUCTIONS FOR ASSEMBLING AND OPERATING YOUR GIANT-VAC MODEL M19-5 & M21-5 PUSH MOWER

As you unpack your Giant-Vac push mower, you will find the following parts:

- 1 - Power unit with motor, wheels, and blade
- 1 - Set of handles attached to a throw-away packing bracket.
- 1 - Deflector
- 1 - Package of hardware

Inspect parts for any damage that occurred in shipping. If found, save the packing box and IMMEDIATELY notify the transport carrier who delivered your machine. They are responsible for the damage and are the only ones to make any adjustments. Before leaving our plant, all dimensions are held to close tolerances; thus, you will have little difficulty in assembling your Giant-Mow push mower if you follow these steps.

CALIFORNIA PROPOSITION 65 WARNING

Gasoline and Diesel engine exhaust and some of its constituents are known to the State of California to cause cancer, birth defects and other reproductive harm.

As an owner of off-road gasoline or diesel engine equipment and/or as an employer, you also may have an obligation under the California Occupational Safety and Health Act or under Proposition 65 to warn persons exposed to gas and diesel engine exhaust and/or other Proposition 65 chemicals in and around your workplace. See California Health and Safety Code section 25249.5, Title 22 of the California Code of Regulations at Section 1200 *et seq.*, and Title 8 of the California Code of Regulations Section 5194.

ASSEMBLY INSTRUCTIONS

ASSEMBLY:

After removing the machine from the box, detach the handles from their bracket and dispose of the bracket. Fasten the lower handle, Ref. #3, to the machine with four 3/8 x 1" hex bolts, nuts and lock washers. **NOTE:** the bottom bolt goes through the slot to allow for adjustment of the handles. On each of the two bottom holes, install a 3/8" flat washer on the inside of the slot. Install the upper handle, Ref. #2, onto the lower handle. **NOTE:** The right side of the handle is attached with the handle bolt and recoil rope holder, Ref. #17, a 3/8" lock washer, and a 3/8" hex nut. On the left side, use a 3/8 x 1-1/2" hex bolt, lockwasher, and hex nut. Install the engine brake cable with the two self-tapping screws. Adjust the tension so the engine is free-wheeling when you squeeze the safety handle. Be certain the starter rope is locked when the safety brake cable handle is disengaged. Install the engine throttle cable. Install and tighten the mower side deflector, Ref. #21, with two 3/8 x 1" hex bolts and lock nuts.

MOTOR INSTRUCTIONS:

You have received a complete engine manual with your machine. Be sure to especially note the instructions on **OILING**. ALL MACHINES ARE SHIPPED WITHOUT OIL OR GASOLINE UNLESS OTHERWISE NOTED. If you have any difficulties with the engine, check the Yellow Pages of your phone book for the engine dealer nearest you, rather than us, as the engines are under their own manufacturer's warranty.

SAFETY AND OPERATING INSTRUCTIONS

TRAINING:

1. Regard your Giant-Mow as a piece of power equipment and teach this regard to all who will operate this unit.
2. **Never** allow children or young teenagers to operate the Giant-Mow.
3. Be sure you know how to stop the engine and mower at a **MOMENT'S NOTICE**.
4. Instruct children to keep away from the area of operation at all times.

PREPARATION:

1. Before starting operation, clear the **entire** work area of all debris that could catch on or be thrown by the Giant-Mow.
2. Unless there is very good artificial light, use **only** during daylight.
3. Fill gasoline driven machines outdoors. Avoid spilling gasoline and **DO NOT** fill the engine while it is running or while you are smoking.

OPERATION:

1. **NEVER INSERT ANY BODY PART OR OTHER FOREIGN OBJECT IN ANY OPENING WHILE THE MACHINE IS RUNNING.**
2. Give complete and undivided attention to the job at hand.
3. Do not start the engine and cutter blades until you are ready to start mowing. Stop the engine whenever you leave the mower.
4. Do **not** operate with any guards or component parts removed from unit.
5. Upon striking an object, stop the mower and check for breakage or other damage. Replace any damaged or broken parts prior to continuation of mowing.
6. Before making any adjustments or repairs, **stop engine** and remove spark plug wire.
7. While in operation, **keep all parts of body** away from discharge side of the mower.

8. When operating machine, keep people and pets a safe distance away.
9. Set the cutting height from between 1-1/2" to 4" To set the height, unbolt the front and rear wheels from the side of the cutting deck. Re-bolt the wheels to the cutting deck according to the cutting height desired. BE CERTAIN to adjust both sides and all wheels to the same height. After making adjustments, secure all wheels.
10. Adjust handle height by loosening the bottom bolt and nut on the handle. Move the bottom bolt in the slot in the mower deck to set the proper handle height. BE CERTAIN to re-tighten the bolts.
11. Before starting, be certain to check the engine's **OIL AND GASOLINE**. (See engine manufacturer's Service Manual.) **NEVER** check the engine while engine is running or while you are smoking. Check **ONLY** when engine is cold.
12. Before starting the engine, be certain to **completely** assemble the unit. With your right hand, set the throttle control to the "start" position. When the engine is cold, you might have to initially choke the engine. (The choke lever is next to the carburetor.) Next, with your left hand, squeeze the safety handle and with your right hand, pull the recoil starter rope slowly until you feel compression, then pull fast and steady. Do **not** let the recoil starter rope snap back by itself. This may damage the rope or recoil starter assembly. After the engine starts, move the throttle lever down to approximately halfway.
13. To stop the engine and mower blades, release the safety control handle or move the throttle control to stop.
14. Always use caution in selecting your mowing pattern. Avoid steep hill mowing - especially when the grass is wet. **CAUTION: DO NOT** travel straight down slopes exceeding 14 degrees (25%). Mow at an angle instead.

MAINTENANCE AND STORAGE:

1. Follow **implicitly** the engine manufacturer's recommendations for maintenance and storage.
2. **Never** adjust the mower or change attachments until the engine is off and the spark plug wire disconnected.
3. If carburetor adjustment is necessary, stand to one side and **keep feet and hands** in the clear while making adjustments.
4. Keep engine and mower deck free from accumulations of grass, leaves or excessive grease. An accumulation of these combustible materials may result in a fire.
5. Check oil level after 10 hours of operation, and before starting for the day. Change the oil and clean the air filter after 25 hours of operation to help prolong engine life. Use unleaded gasoline only. Grease all fittings after 50 hours of operation.
6. Periodically check all adjustments and check that all fasteners are secure.

7. Make sure your mower blades are sharp. After sharpening, check the blades for balance. Do not use out of balance blades. We recommend you keep an extra set of good blades on hand at all times.
8. Store gasoline in a **safe and approved** container in a cool dry place.
9. Keep the Mower and fuel container in locked storage to prevent children from playing and/or tampering with them.
10. Do not store gasoline powered equipment or fuel containers in a basement or any closed area where heating or heat appliances or open pilot lights are present, unless the fuel is completely drained from the power equipment and the fuel containers

GIANT-VAC WARRANTY

GIANT-VAC, INC., here-in-after called Giant-Vac, warrants each new Giant-Vac to the original retail purchaser of the new Giant-Vac equipment to be free from manufacturing defects in normal service for a period of 1 year, unless it is used for rental purposes, which limits the warranty to 30 days. This warranty does not apply to engines, tires or other parts that are purchased and warranted by their manufacturer. Items such as bags, grass catchers, hoses and blades are not warranted, as these are considered expendable items. This warranty does not include equipment failures due to normal wear.

Any obligation under this warranty is expressly limited to the replacement or repair, at an authorized servicing Giant-Vac dealer, or at a point designated by us, of such parts as appear to us to have been defective. All defective parts have to be returned freight prepaid before credit will be issued.

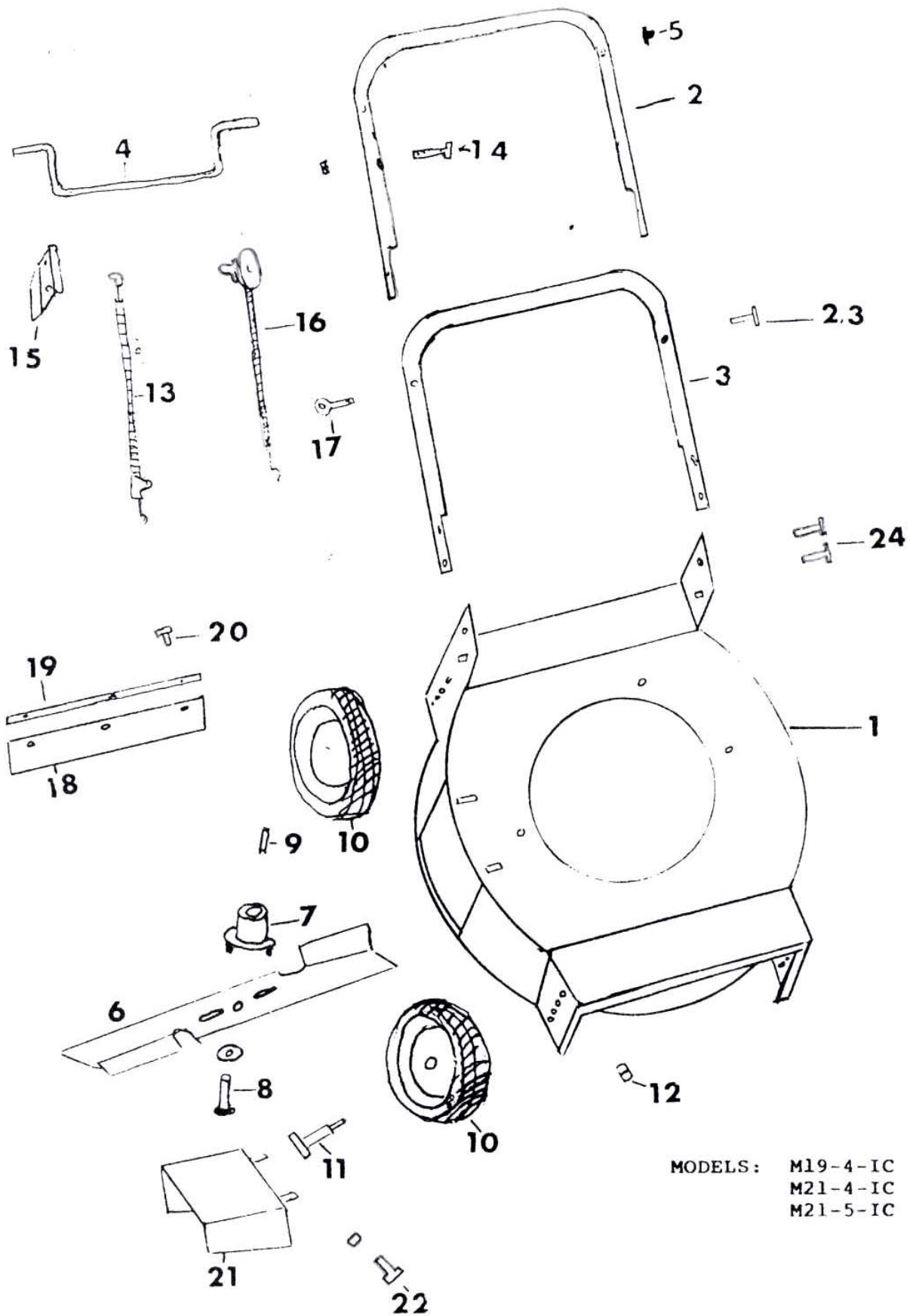
We shall not be liable for transportation charges in connection with the replacement or repair of defective parts.

This warranty does not apply to a Giant-Vac upon which repairs or alterations have been made by others except with our prior written approval.

We shall not be liable for consequential damages or contingent liabilities for the fitness of any Giant-Vac for any particular purpose.

We make no other express, implied or statutory warranty, nor is anyone authorized to make any in our behalf.

**GIANT-VAC, INC.
P.O. BOX 195
SOUTH WINDHAM, CT. 06266
PHONE: 860-423-7741 • FAX: 860-423-2654**



MODELS: M19-4-IC
 M21-4-IC
 M21-5-IC

PARTS LIST NO. 5779

<u>REF.</u> <u>NO.</u>	<u>PART</u> <u>NO.</u>	<u>DESCRIPTION</u>	<u>M19-5</u>	<u>M21-5</u>
1	10126	19" mower deck	1	--
1	10127	21" mower deck	--	1
2	23169	Upper handle	1	--
2	23170	Upper handle	--	1
2a	31590	Foam handle grip – 1" x 24"	1	1
3	23171	Lower handle	1	--
3	23172	Lower handle	--	1
4	23174	Safety handle	1	--
4	23173	Safety handle	--	1
5	31547	Safety handle cap	2	2
6	21549	Mower blade 19"	1	--
6	21550	Mower blade 21"	--	1
7	31549	Blade adapter	1	1
8	31794	3/8-24 x 2 hex socket head cap screw	1	1
8a	31008	3/8" lock washer	1	1
9	31553	Engine shaft key	1	1
10	33010	8 x 1.75 H.D. tires	4	4
11	31554	Axle bolt	4	4
11a	31703	Brass spacer	4	4
12	31560	3/8" lock nut	4	4
13	31556	Engine brake cable	1	1
14	31561	1/4 x 1-3/4" bolt and lock nut	1	1
15	31557	Brake cable clip	1	1
16	31558	Throttle control	1	1
16a	31007	Throttle cable clip	2	2
17	31618	5/16-18 x 3-1/4" turned eye bolt	1	1
17a	31004	5/16-18 hex nut	2	2
17b	31003	5/16 lock washer	1	1
18	27208	Rubber flap 19"	1	--
18	27209	Rubber flap 21"	--	1
19	27210	Rubber flap holder 19"	1	--
19	27211	Rubber flap holder 21"	--	1
20	31100	3/16" steel pop rivet	3	3
21	24602	Deflector 19"	1	--
21	24603	Deflector 21"	--	1
22	31400	5/16-18 x 3/4" hex bolt	2	2
22a	31436	5/16-18 lock nut	2	2
23	31294	5/16-18 x 1-1/2" hex bolt	1	1
24	31282	5/16-18 x 1" hex bolt	4	4
24a	31003	5/16 lock washer	5	5
24b	31004	5/16-18 hex nut	5	5

ITEMS NOT SHOWN

39046	5 HP B&S Quantum engine	1	1
31294	5/16-18 x 1-1/2" hex bolt	2	2
31623	5/16-18 x 2-1/2" hex bolt	1	1
31003	5/16 lock washer	3	3
31004	5/16-18 hex nut	3	3

ALL SPECIFICATIONS SUBJECT TO CHANGE WITHOUT NOTICE

