

**GIANT-VAC MANUFACTURING INC.**



**OWNERS/OPERATOR MANUAL  
MODEL 8-11 BWJ  
WHISPER JET BLOWER**

## INSTRUCTIONS FOR ASSEMBLING AND OPERATING YOUR GIANT-VAC

# *'Whisper Jet' Blower*

### MODELS 8-BWJ - 11-BWJ

Congratulations! You have just purchased one of the finest pieces of outdoor power equipment on the market today. The Giant-Vac Whisper Jet Blower represents the very latest in debris removal technology. If properly cared for, your Giant-Vac Whisper Jet Blower will provide years of dependable service. Please read and follow this instruction manual carefully in order to get the most out of your new equipment.

As you unpack your Whisper Jet, you will find the following parts:

- 1 - Whisper Jet power unit
- 1 - Handle assembly in four parts
- 1 - Bag containing front wheel assembly
- 1 - Package of hardware
- 1 - Owner's manual

Inspect parts for any damage that may have occurred during shipping. If any is found, save the packing box and immediately contact the transport carrier who delivered your machine, as they are responsible for the damage and are the only ones to make any adjustments.

Before leaving our plant, all parts are inspected to insure proper fit. Therefore, you will have little difficulty in assembling your Whisper Jet if you follow these instructions.

### **CALIFORNIA PROPOSITION 65 WARNING**

Gasoline and Diesel engine exhaust and some of its constituents are known to the State of California to cause cancer, birth defects, and other reproductive harm.

As an owner of off-road gasoline or diesel engine equipment and/or as an employer, you also may have an obligation under the California Occupational Safety and Health Act or under Proposition 65 to warn persons exposed to gas and diesel engine exhaust and /or other Proposition 65 chemicals in and around your workplace. See California Health and Safety Code section 25249.5, Title 22 of the California Code of Regulations at section 1200, *et seq.*, and Title 8 of the California Code of Regulations section 5194.

## ASSEMBLY INSTRUCTIONS

### (Please refer to Parts list for part identification)

1. Insert Lower handles (Parts List Ref. #14) into Upper handle (#13) until bolt holes are in line. Fasten with two 5/16 x 1-3/4" hex bolts (#15), lockwashers (#4) and nuts (#16). Align holes in sides of handle brace (#10) to top set of holes in upper handle and fasten with same hardware as above. **Note:** Do not tighten these bolts yet.
2. Attach handle assembly to power unit by securing handle brace to stud in top of blower housing with 3/8 lockwasher (#11) and nut (#12). Fasten lower handles to engine base with four 5/16 x 1-3/4" bolts, lockwashers, and nuts. Tighten all bolts.
3. Attach Throttle control (#17) to handle assembly with two #10 x 1-1/4" machine screws, lockwashers and nuts (#18). Secure throttle cable to handle with two throttle cable clips (#18a), placing one just above where handle brace joins with upper handle, the other 4-5" above bend in lower handle. **Note:** Be sure to check throttle for smooth operation. If throttle lever binds, or is difficult to operate, adjust cable and clips accordingly.
4. Attach front wheel assembly to front of blower unit by placing Front wheel bracket spacer plate (#30) against back side of Front wheel bracket (#31), making sure mounting holes in both parts are aligned. Place one 5/16 x 3/4" hex bolt (#35) with lockwasher (#4) inside top mounting hole, then attach to corresponding hole in blower housing. Repeat for other two mounting holes, leaving all bolts finger tight. Install Front wheel (#34)\* inside bracket with 5/8 x 5" hex bolt (#32), and fasten with 5/8" hex lock jam nut (#33), tightening just enough to allow wheel to spin freely, but with a minimum of play within bracket.

\* It is advisable to grease front wheel before installation. This will result in longer bearing life.

Assembly of your Giant-Vac Whisper Jet Blower is now complete. Please read carefully the following instructions for safe and effective use of your Whisper Jet.

## SAFETY AND OPERATING INSTRUCTIONS

**MOTOR INSTRUCTIONS:** You have received a complete engine manual with your machine. Be sure read it carefully before operation. Especially note the instructions on **OILING**. **ALL MACHINES ARE SHIPPED WITHOUT OIL OR GASOLINE UNLESS OTHERWISE NOTED.** If you have any difficulties with the engine, check the Yellow Pages of your phone book for the engine dealer nearest you, rather than us, as the engines are under their own manufacturer's warranty.

## TRAINING:

1. Regard your Giant-Vac Whisper Jet Blower as a piece of power equipment and teach this regard to all who will operate this unit.
2. **Never** allow children or young teenagers to operate the Whisper Jet.
3. Be sure you know how to stop the engine at a **MOMENT'S NOTICE**.
4. Instruct children to keep away from the area of operation **at all times**.

## PREPARATION:

1. Before starting operation, clear the entire work area of all debris that could catch on or be thrown by the Whisper Jet.
2. Unless there is very good artificial light, use **only** during daylight.
3. Fill gasoline driven machines outdoors. Avoid spilling gasoline and **DO NOT** fill the engine while it is running or while you are smoking.

### **! SAFETY FIRST !**

- **NEVER INSERT ANY BODY PART OR OTHER FOREIGN OBJECT IN ANY OPENING WHILE THE MACHINE IS RUNNING.**
- Always wear appropriate safety equipment when operating this unit. Do not operate without proper eye, ear, breathing and hand protection.
- Do **not** operate with any guards or component parts removed from unit.
- Before making any adjustments or repairs, **stop engine** and remove spark plug wire.
- While in operation, keep **all** parts of body away from intake and exhaust sections.
- When operating machine, keep people and pets a safe distance away.

## STARTING THE ENGINE:

1. Before starting, be certain to check the engine's **OIL AND GASOLINE**. (See engine manufacturer's Service Manual.) **NEVER** check the engine while it is running or while you are smoking. Check **ONLY** when engine is cold.
2. Before starting the engine, be certain to **completely** assemble the unit. With your right hand, set the throttle control to the "on" position. (When the engine is cold, you might have to initially choke the engine.) Note: Make sure the red switch on the engine casing is switched to the 'on' position. Next, with your left hand, pull the recoil starter rope slowly until you feel compression, then pull fast and steady. Do **not** let the recoil starter rope snap back by itself. This may damage the rope or recoil starter assembly. After the engine starts, move the throttle lever down to approximately halfway.
3. To stop engine, slide throttle lever all the way to 'off' position. **Note:** If this fails, engage choke to stop engine, then adjust throttle cable. (To do this, loosen cable holding screw on throttle lever, then slide throttle lever toward 'on' position on handle approximately 1/4". Retighten cable screw. Repeat as necessary.)

## OPERATION:

**CAUTION: Do not pass by or stand on the air discharge side of any leaf blower with the engine running.**

1. To blow debris out toward the front of the machine, open the forward air deflector door, mounted on the front of the discharge end of the blower, by pushing the control lever to the front of the machine. This feature is ideal for such things as blowing debris from a wall or fence. Adjust engine speed to increase or decrease air discharge rate. **NEVER INSERT ANY BODY PART OR OTHER FOREIGN OBJECT IN THE OPENING WHILE THE MACHINE IS RUNNING.**
2. To blow debris out toward the side of the machine, close the front air deflector door by pulling the control lever back toward the rear of the machine, and adjust the side air deflector, mounted on the discharge end of the blower, by means of the 5/16 x 5/8" hex bolts on either end of the deflector. This will permit you to direct the air at the angle you desire for a specific application. Adjust engine speed to increase or decrease air discharge rate. By changing the deflector angle and the engine speed, you can move debris into a neat row easily and rapidly. **NEVER INSERT ANY BODY PART OR OTHER FOREIGN OBJECT IN THIS OPENING WHILE THE MACHINE IS RUNNING.**
3. For operator ease and maneuverability, push down on the upper handle while walking so that the machine balances on the rear wheels.

## MAINTENANCE AND STORAGE:

1. Follow **implicitly** the engine manufacturer's recommendations for maintenance.
2. Never adjust the Whisper Jet until the engine is **off** and the spark plug wire is disconnected.
3. If carburetor adjustment is necessary, stand to one side and **keep feet and hands** in the clear while making adjustments.
4. Keep engine free of accumulations of grass, leaves or excessive grease. An accumulation of these combustible materials may result in a fire.
5. Store gasoline in a **safe and approved** container in a cool dry place
6. Keep the Whisper Jet and fuel container in locked storage to prevent children from playing and/or tampering with them.
7. Do not store gasoline powered equipment or fuel containers in a basement or any closed area where heating or heat appliances or open pilot lights are present, unless the fuel is completely drained from the power equipment and the fuel containers.

## GIANT-VAC WARRANTY

GIANT-VAC MFG. INCORPORATED, here-in-after called Giant-Vac, warrants each new Giant-Vac to the original, retail purchaser of the new Giant-Vac equipment, to be free from manufacturing defects in normal service for a period of one (1) year, unless it is used for rental purposes, which limits the warranty to 30 days. This warranty does not apply to engines, tires or other parts that are purchased and warranted by their manufacturer. Items such as bags, grass catchers, hoses and blades are not warranted, as these are considered expendable items. This warranty does not include equipment failures due to normal wear.

Any obligation under this warranty is expressly limited to the replacement or repair, at an authorized servicing Giant-Vac dealer, or at a point designated by us, of such parts as appear to us to have been defective. All defective parts have to be returned freight prepaid before credit will be issued.

We shall not be liable for transportation charges in connection with the replacement or repair of defective parts.

This warranty does not apply to a Giant-Vac upon which repairs or alterations have been made by others except with our prior written approval.

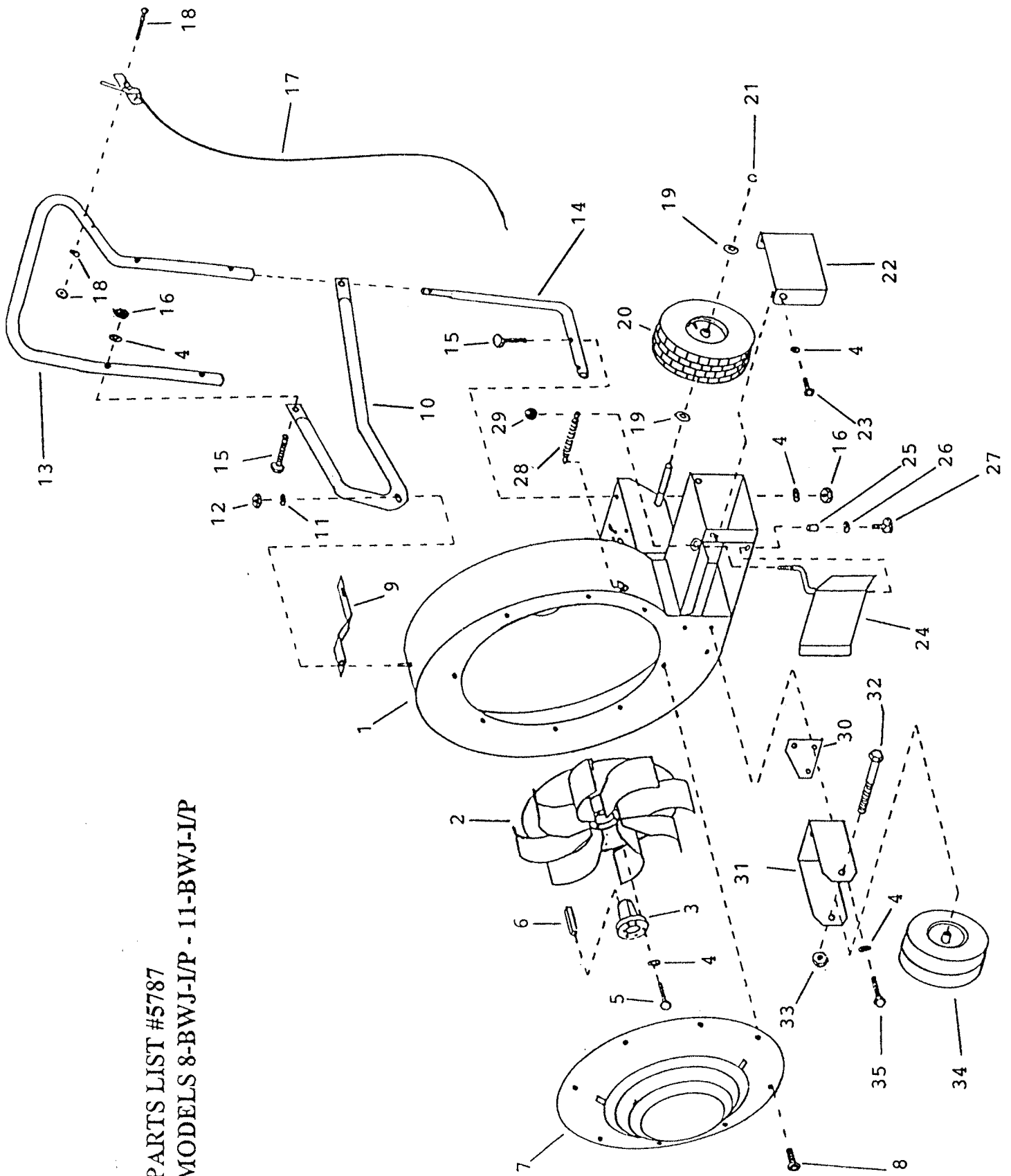
We shall not be liable for consequential damages or contingent liabilities for the fitness of any Giant-Vac for any particular purpose.

We make no other express, implied or statutory warranty, nor is anyone authorized to make any in our behalf.

GIANT-VAC MFG. INCORPORATED  
P.O. BOX 195  
SOUTH WINDHAM, CT. 06266  
PHONE: 860-423-7741 • FAX: 860-423-2654

---

PARTS LIST #5787  
 MODELS 8-BWJ-I/P - 11-BWJ-I/P





**Parts List No. 5787**

<b><u>Ref</u></b>	<b><u>Part No</u></b>	<b><u>Description</u></b>	<b><u>8-BWJ</u></b>	<b><u>11-BWJ</u></b>
1	10151	Blower housing & engine base	1	1
2	21564	Impeller	1	1
3	21559	Impeller hub - 1-1/8"	1	1
4	31003	5/16 lockwasher	16	16
5	31646	5/16 x 1-1/4" hex bolt Gr. 5	3	3
6	31438	1/4 x 2 Impeller key	1	1
7	20209	Intake baffle	1	1
8	31660	5/16 x 3/4" self threading bolt	8	8
9	31645	Anti-vibration strap	1	
9	31647	Anti-vibration strap		1
10	23004	Handle brace	1	1
11	31008	3/8" lock washer	1	1
12	31009	3/8" nut	1	1
13	23200	Upper handle	1	1
13a	31590	Foam handle cover	1	1
14	23002	Lower handle	2	2
15	31002	5/16 x 1 3/4" hex bolt	8	8
16	31004	5/16" nut	8	8
17	35001	Throttle control	1	1
17a	31007	Throttle clips	2	2
18	31010	10-24 x 1-1/4" bolt, lock washer and nut	2	2
19	31001	5/8" flat washer	4	4
20	33001	410-350 x 4 pneumatic tire assembly	2	2
20a	33107	Bearing for pneumatic tire assembly	4	4
21	31000	Wheel snap ring	2	2
22	24609	Side air deflector	1	1
23	31016	5/16 x 5/8" hex bolt	2	2
24	24610	Forward air deflector	1	1
25	31014	Bushing	1	1
26	31013	1/4 lockwasher	1	1
27	31015	1/4 x 1/2" hex bolt	1	1
28	31422	Spring	1	1
29	31103	Control lever knob - 3/8"	1	1
30	33187	Front wheel bracket spacer plate	1	1
31	33186	Front wheel bracket	1	1
32	33116	5/8-11 x 5" hex bolt	1	1
33	31571	5/8-11 hex lock jam nut	1	1
34	33115	Front wheel	1	1
35	31400	5/16 x 3/4" hex bolt	3	3

ALL SPECIFICATIONS SUBJECT TO CHANGE WITHOUT NOTICE

Parts List No. 5787

<u>Part No</u>	<u>Description</u>	<u>8-BWJ</u>	<u>11-BWJ</u>
<u>ITEMS NOT SHOWN</u>			
39066	8HP B&S I/P engine	1	
39067	11HP B&S I/P engine		1
31257	5/16 x 1-3/4 bolt, lockwasher & nut (Motor mount hardware)	4	4
31480	Safety control switch (gray with blue mark)	1	1
37121	Safety switch bracket	1	1
31100	3/16" pop rivet	2	2
31628	Safety switch wiring harness	1	1