

PARTS LIST NO. 5746

OPERATING INSTRUCTIONS  
FOR  
DOUBLE HEADED BLOS  
MODELS 1451 - 1851

Your Giant-Blo comes complete in one crate with the necessary parts.

Inspect your unit for any damage that might have occurred in shipping. If any is found, save the packing container and IMMEDIATELY notify the transport carrier who delivered your machine as he is responsible for the damage and is the only one to make any adjustments. Before leaving our plant, all components were completely inspected. All manufacturing dimensions are held to close tolerances, and thus, you will have little difficulty in assembling your Giant-Blo if you follow these steps.

MOTOR INSTRUCTIONS:

You have received a complete engine manual with your machine. Especially note instructions on OILING. Fill out the warranty card IMMEDIATELY and send it to the engine manufacturer as directed. Engines are warranted by the engine manufacturer and not by Giant-Vac. Consequently, if any difficulties exist, please contact them rather than us as much time will be saved as they would be the only ones to make any adjustments. If you will check the yellow pages in your telephone directory, you will find the local engine servicing dealer.

CAUTION  
ROTATING FAN  
BEFORE MAKING ANY ADJUSTMENTS OR REPAIRS  
STOP ENGINE AND REMOVE SPARK PLUG WIRE.  
WHILE IN OPERATION KEEP ALL PARTS OF BODY  
AWAY FROM INTAKE AND EXHAUST SECTIONS.

ASSEMBLING:

First, bolt the exhaust housing Ref. #2, to the blower housing and motor base. Next bolt the control lever, Ref. #4, to the exhaust housing. Then bolt draw bar hitch, Ref. #5, to the front of motor base.

OPERATION:

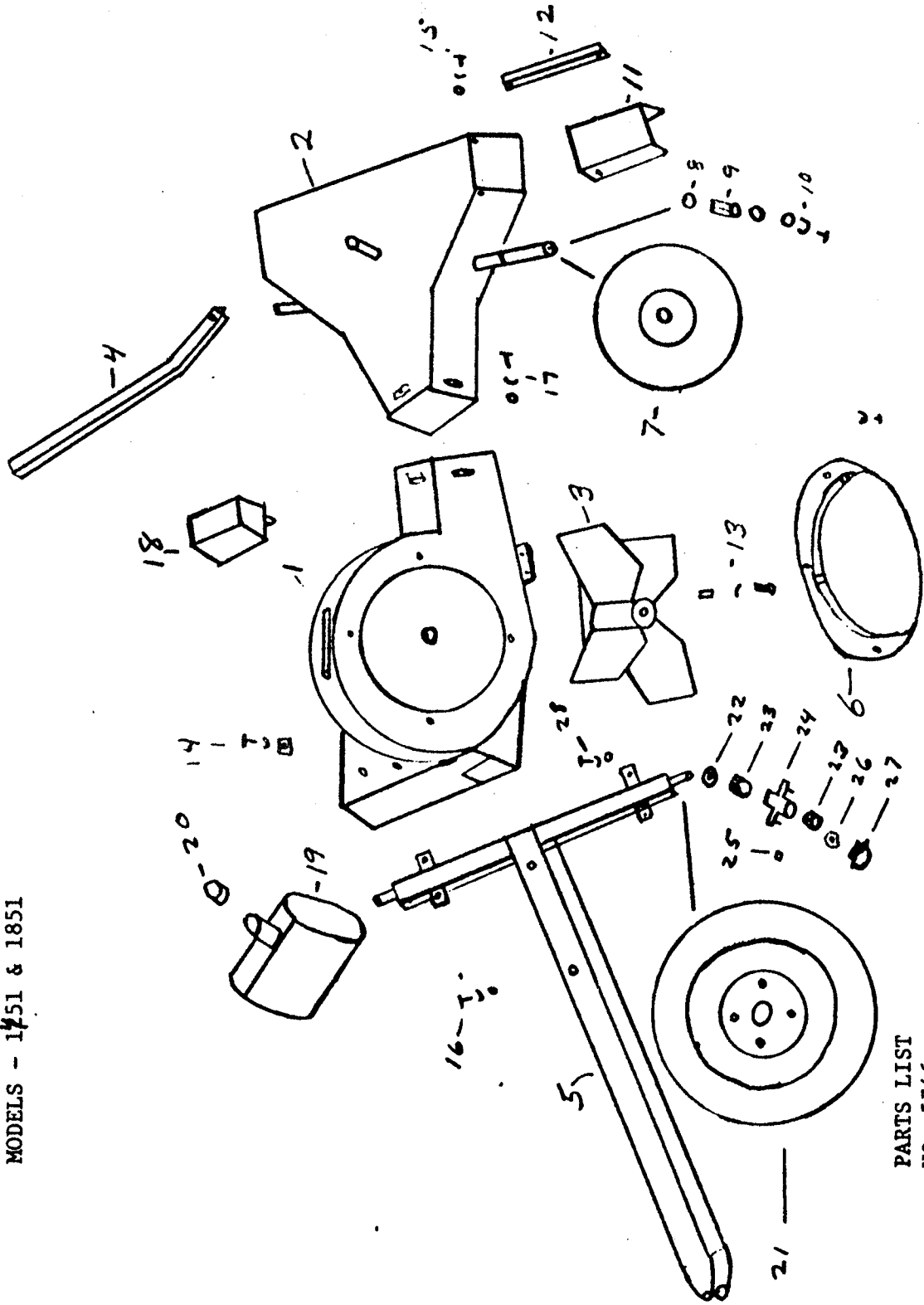
Your Double Headed Giant-Blo will blow in either a left or right hand direction by flipping one lever which actuates a flap in the discharge head. With this feature, debris may always be windrowed in the same direction. The unit is normally towed behind a tractor or small truckster.

WARRANTY:

Within 90 days from the purchase date, Giant-Vac Mfg. Incorporated will replace free of charge for the original purchaser, any part or parts returned to our factory at South Windham, Connecticut, and found by us to be defective in material and/or workmanship.

FEBRUARY 1978

DOUBLE HEADED BLOS  
 MODELS - 1751 & 1851



PARTS LIST  
 NO. 5746

PARTS LIST NO. 5746

MODELS 1451 & 1851  
DOUBLE HEADED BLO

REF. NO.	PART NO.	DESCRIPTION	NO. OF PARTS	
			<u>1451</u>	<u>1851</u>
1	10059	Blower Housing & Engine Base (KOH)	1	
1	10061	Blower Housing & Engine Base (KOH)		1
1	10060	Blower Housing & Engine Base (Wisc)		1
2	10062	Exhaust Housing	1	
2	10063	Exhaust Housing		1
3	21535	Impeller (Kohler)	1	
3	21526	Impeller (Kohler)		1
3	21527	Impeller (Wisconsin)		1
4	23046	Control Rod	1	
4	23047	Control Rod		1
5	38011	Draw Bar Hitch	1	
5	38012	Draw Bar Hitch and Axle		1
6	20171	Intake Baffle	1	
6	20172	Intake Baffle		1
7	33033	Wheel w/Bearing 16 x 650 /8	2	2
8	33065	Bearing Cup	4	4
9	33064	Roller Bearing 1"	2	2
10	31169	Bolt, Washer, Lockwasher 3/8 x 1"	2	2
11	24560	Left Side Deflector	1	
11A	24561	Right Side Deflector	1	
11	24562	Left Side Deflector		1
11A	24563	Right Side Deflector		1
12	23048	Left Deflector Control Rod	1	1
12A	23049	Right Deflector Control Rod	1	1
13	31182	Impeller Bolt and Key (Kohler)	1	
13	31183	Impeller Bolt and Key (Kohler)		1
13	31183	Impeller Bolt and Key (Wisconsin)		1
14	31180	Motor Bolt and Washer, Nut	4	
14	31181	Motor Bolt and Washer, Nut		4
15	31184	Bolt, Lock Nut 3/8 x 1"	8	8
16	31171	Bolt, Nut, Lockwasher 1/2 x 1 1/4"	2	2
17	31185	Bolt, Nut, Lockwasher 3/8 x 1 1/2"	3	3
18	40115	Battery Box	1	1
19	40113	Gas Tank		1
20	40114	Gas Tank Cap		1
21	33054	Tire and Rim 18-850x8		2
22	33057	Seal		2
23	33056	Bearing High Speed		4
24	33058	Hub Less Bearing		2
25	31152	Lug Nut		8
26	31151	Lock Nut and Set Screw		2
27	33055	Dust Cap		2
28	31162	Bolt, Nut, Lockwasher 1/2"		4
	39019	20HP Kohler Engine		1
	39025	18HP Wisconsin Engine		1
	39027	14HP Kohler - Manual	1	
	39028	14HP Kohler - Electric	1	

March 15, 1978