

GIANT-VAC®

**ASSEMBLY INSTRUCTIONS
OPERATOR'S MANUAL
PARTS LIST**



Walk-Behind Leaf Blower Series 2

Actual product may differ slightly from product pictured above

Manual No. 7101099 (I.R. 1/10/2007)
TP 100-5254-IR-BL-G

Models Covered:

LBC7152BV
(Part # 7085915)

1 preliminaries

Congratulations!

You have just purchased one of the finest pieces of outdoor power equipment on the market today. If properly cared for, your new blower will provide years of dependable service. Please read and follow this instruction manual carefully in order to get the most out of your new equipment.

As you carefully unpack your unit, you will find the following items:

- 1 **Blower Unit**
- 1 **Handle Assembly including:**
 - 1 – Upper Handle with foam grip
 - 1 – Lower Handle
 - 1 – Mid-Handle Support Panel
- 1 **Front Caster Wheel Kit including:**
 - 1 – Front Caster Bracket
 - 1 – Front Caster Wheel
 - 1 – Axle Bolt with lock nut
- 1 **Package of assembly hardware**
- 1 **Package containing operating manuals and warranty registration**

Each product leaves our factory in excellent condition; occasionally, however, some damage may occur during shipment. If any such damage is found upon initial inspection, *immediately* notify the transport carrier who delivered your machine, as they are solely responsible for such damage, as well as any subsequent adjustments necessary.

Before assembly, please take a moment and record your model number and serial number below for future reference (both numbers are located on the silver tag attached to the machine):

Model number _____

Serial number _____

Also be sure to promptly fill out and return the warranty registration enclosed in your manual packet.

Your new blower requires very little assembly. Simply follow the instructions contained within this manual to begin enjoying the benefits of your new unit.

CALIFORNIA PROPOSITION 65 WARNING

Gasoline and Diesel engine exhaust and some of its constituents are known to the State of California to cause cancer, birth defects and other reproductive harm.

As an owner of off-road gasoline or diesel engine equipment and/or as an employer, you also may have an obligation under the California Occupational Safety and Health Act or under Proposition 65 to warn persons exposed to gas and diesel engine exhaust and/or other Proposition 65 chemicals in and around your workplace. See California Health and Safety Code section 25249.5, Title 22 of the California Code of Regulations at Section 1200 *et seq.*, and Title 8 of the California Code of Regulations Section 5194.

Engine Power Rating Information

The gross power rating for individual gas engine models is labeled in accordance with SAE (Society of Automotive Engineers) code J1940 (Small Engine Power & Torque Rating Procedure), and rating performance has been obtained and corrected in accordance with SAE J1995 (Revision 2002-05). Torque values are derived at 3060 RPM; horsepower values are derived at 3600 RPM. Actual gross engine power will be lower and is affected by, among other things, ambient operating conditions and engine-to-engine variability. Given both the wide array of products on which engines are placed and the variety of environmental issues applicable to operating the equipment, the gas engine will not develop the rated gross power when used in a given piece of power equipment (actual "on-site" or net horsepower). This difference is due to a variety of factors including, but not limited to, accessories (air cleaner, exhaust, charging, cooling, carburetor, fuel pump, etc.), application limitations, ambient operating conditions (temperature, humidity, altitude), and engine-to-engine variability. Due to manufacturing and capacity limitations, Briggs & Stratton may substitute an engine of higher rated power for this Series engine.

2 **safety rules regarding outdoor power equipment**



IMPORTANT! READ CAREFULLY THE FOLLOWING SAFETY RULES BEFORE ASSEMBLING OR OPERATING UNIT.

TRAINING

- Read, understand, and follow all instructions in the manual and on the unit before starting. If the operator(s) or mechanic(s) can not read English it is the owner's responsibility to explain this material to them.
- Become familiar with the safe operation of the equipment, operator controls, and safety signs.
- All operators and mechanics should be trained. The owner is responsible for training the users.
- Only allow responsible adults, who are familiar with the instructions, to operate the unit.
- Never let children or untrained people operate or service the equipment. Local regulations may restrict the age of the operator.
- The owner/user can prevent and is responsible for accidents or injuries occurring to themselves, other people or property.

PREPARATION

- Evaluate the terrain to determine what accessories and attachments are needed to properly and safely perform the job. Use only accessories and attachments approved by the manufacturer.
- Wear appropriate clothing including safety shoes, safety glasses and ear protection. Long hair, loose clothing or jewelry may get tangled in moving parts.
- Inspect the area where the equipment is to be used and remove all objects such as rocks, toys and wire, which can be thrown by the machine.
- Use extra care when handling gasoline and other fuels. They are flammable and vapors are explosive.
 - a) Use only an approved container.
 - b) Never remove fuel cap or add fuel with the engine running. Allow engine to cool before refueling. Do not smoke.
 - c) Never refuel or drain the machine indoors.
- Check that operator's presence controls, safety switches and shields are attached and functioning properly. Do not operate unless they are functioning properly.

OPERATION

- Never run an engine in an enclosed area.
- Operate only in the daylight or with good artificial light, keeping away from holes and hidden hazards.
- Be sure of your footing while using pedestrian controlled equipment, especially when backing up. Walk, don't run.
- Do not operate in reverse unless absolutely necessary. Always look down and behind before and while traveling in reverse.
- Be aware of the blower discharge direction and do not point it at anyone. Do not operate the blower without deflectors in place.
- Never leave a running unit unattended. Always stop engine before leaving unit.

- Never operate with guards not securely in place. Be sure all safety features are attached, adjusted properly and functioning properly.
- Never operate with the discharge deflectors removed or altered.
- Do not change the engine governor setting or over speed the engine.
- Stop on level ground, shut off engine before leaving the operator's position for any reason.
- Stop equipment and inspect impeller blades after striking objects or abnormal vibration occurs. Make necessary repairs before resuming operations.
- Keep hands and feet away intake and discharge areas.
- Keep pets and bystanders away.
- Do not operate the unit while under the influence of alcohol or drugs.
- Use caution when crossing roads and sidewalks. Stop engine if not blowing.
- Use care when loading or unloading the machine into a trailer or truck.
- Use care when approaching blind corners, shrubs, trees or other objects that may obscure vision.

SLOPE OPERATION

Slopes are a major factor related to loss-of-control and tip-over accidents, which can result in severe injury or death. All slopes require extra caution. If you cannot back up the slope, or if you feel uneasy on it, do not drive on it.

Do

- Blow across the face of slopes; never up and down.
- Remove obstacles such as rocks, tree limbs, etc.
- Watch for holes, ruts, or bumps. Uneven terrain could overturn the unit. Tall grass can hide obstacles.
- Keep all movement on the slopes slow and gradual. Do not make sudden changes in speed or direction.

Do Not

- Do not start or stop on a slope. If tires lose traction, proceed slowly straight down the slope.
- Do not turn on slopes unless necessary, and then, turn slowly and gradually downhill, if possible.
- Do not use near drop-offs, ditches, or embankments. The operator could lose footing or balance or blower could suddenly turn over if a wheel is over the edge of a cliff or ditch, or if an edge caves in.
- Do not operate on slopes with wet grass. Reduced footing or traction could cause sliding.
- Do not use on excessively steep slopes.

2 *safety rules regarding outdoor power equipment (cont.)*

CHILDREN

Tragic accidents can occur if the operator is not alert to the presence of children. Children are often attracted to the unit and its activity. Never assume that children will remain where you last saw them.

- Keep children out of the blowing area and under the watchful care of another responsible adult.
- Be alert and turn unit off if children enter the area.
- Before and during reverse operation, look behind and down for small children.
- Never allow children to operate the unit.
- Use extra care when approaching blind corners, shrubs, trees, or other objects that may obscure vision.

EMISSIONS

- Engine exhaust from this product contains chemicals known, in certain quantities, to cause cancer, birth defects, or other reproductive harm.
- Look for the relevant Emissions Durability Period and Air Index information on the engine emissions label.

MAINTENANCE AND STORAGE

- Always observe safe refueling and fuel handling practices when refueling the unit after transportation or storage.
- Always follow the engine manual instructions for storage preparations before storing the unit for both short and long term periods.
- Always follow the engine manual instructions for proper start-up procedures when returning the unit to service.
- Never store the machine or fuel container inside where there is an open flame, such as in a water heater. Allow unit to cool before storing.

- Shut off fuel while storing or transporting. Do not store fuel near flames or drain indoors.
- Keep all hardware, especially impeller bolt, tight and keep all parts in good working condition. Replace all worn or damaged decals.
- Never tamper with safety devices. Check their proper operation regularly.
- Clean leaves and debris from mufflers and engine to prevent fires. Clean up oil or fuel spillage.
- Stop and inspect the equipment if you strike an object. Repair, if necessary, before restarting.
- Never make adjustments or repairs with the engine running unless specified otherwise.
- Park machine on level ground. Never allow untrained personnel to service machine.
- Carefully release pressure from components with stored energy. (e.g. springs)
- Only replace impellers. Never straighten or weld them.
- Keep hands and feet away from moving parts.
- Frequently check components and replace with manufacturer's recommended parts, when necessary.
- Use only factory authorized replacement parts when making repairs.
- Always comply with factory specifications on all settings and adjustments.
- Only authorized service locations should be utilized for major service and repair requirements.
- Never attempt to make major repairs on this unit unless you have been properly trained. Improper service procedures can result in hazardous operation, equipment damage and voiding of manufacturer's warranty.

Statement of Usage

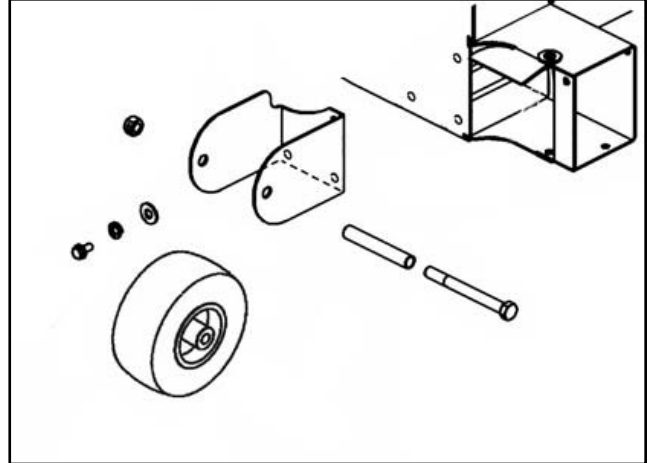
This manual contains safety information to make you aware of the hazards and risks associated with the machine and how to avoid them. This machine is designed and intended to be used and maintained according to the manual for finish cutting of established lawns and is not intended for any other purpose. It is important that you read and understand these instructions thoroughly before attempting to start or operate this equipment.

3 unit assembly

Note: Please refer to Parts List for correct part identification and placement.

FRONT WHEEL ASSEMBLY

- Place Mounting Bracket against lower right corner of Blower Housing, aligning holes in bracket with threaded holes in housing. Secure with three 3/8-16 x 1" hex bolts, split lock washers and flat washers. Do not tighten yet.
- Install Front Wheel between forks in bracket, slide sleeve through bracket and wheel, and secure with 1/2-13 x 5" hex bolt and lock nut. Tighten snugly while allowing for free rotation of wheel.
- Adjust front wheel camber (refer to Section "ADJUSTMENTS - FRONT WHEEL CAMBER ADJUSTMENT"), then tighten 3/8 bolts securely.



HANDLE ASSEMBLY

- The upper handles are shipped in the folded storage position. To unfold, loosen two handle knobs and rotate up to the operating position. The upper handles are secured with four knobs. Insert two 5/16-18 x 2 curved head bolts through the handles directly below the two shipping knobs. Place one internal tooth lock washer on each of the bolts. Thread knobs onto curved head bolts. Tighten all four knobs securely.



Assembly complete. Your unit is now ready to be started and checked for proper operation. Some minor final adjustments may be required; see the Maintenance portion of this manual.

4 unit operation

STARTING THE ENGINE

IMPORTANT NOTE: The procedures outlined within this section are general guidelines, and are in no way meant to replace or supersede engine manufacturer's operating instructions. In order to obtain optimum performance from your engine, refer to your engine manual.



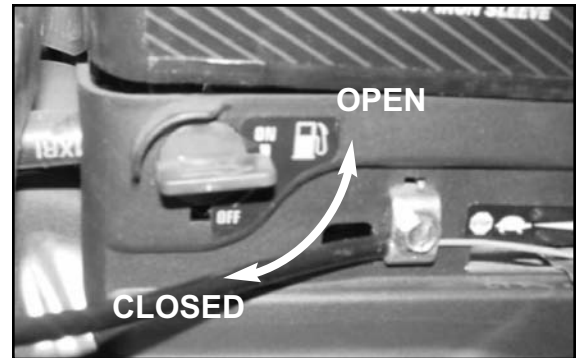
WARNING! IMPELLER IS MOUNTED DIRECTLY TO ENGINE SHAFT – STARTING ENGINE WILL RESULT IN IMMEDIATE HIGH-VELOCITY DISCHARGE. TO AVOID INJURY OR DAMAGE, BE SURE DISCHARGE IS POINTED AWAY FROM PEOPLE, PETS AND PROPERTY WHEN STARTING.

BEFORE STARTING ENGINE:

- Be sure that the unit is completely assembled, all fasteners are tightened securely, and all safety guards and components are in place.
- Be sure to check engine's **oil** and **fuel levels*** and **add as needed**. (See engine manual for recommended oil and gasoline specifications.) **Never** check the engine while it is running or while you are smoking. Check only when engine is cold.

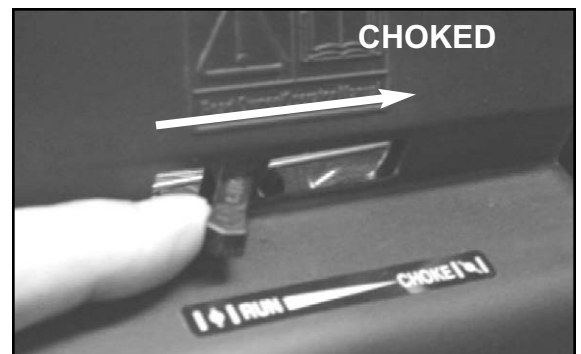
All machines are shipped without oil or fuel unless otherwise noted.

- Be sure that fuel valve is set to open position.



TO START ENGINE:

- Move choke control located on engine to the closed "ON" position.



- Move engine speed control, located on the handle, to the fast "Rabbit" position.



4 *unit operation (cont.)*

STARTING THE ENGINE (cont.)

- Bracing unit with one hand on the upper handle and a foot on the right rear tire, firmly grasp recoil handle and pull briskly. You may have to pull several times before engine starts. (If engine fails to start within a reasonable amount of time, discontinue and check engine manual for further instructions.) Note: Do not allow recoil rope to snap back into recoil; damage to the rope or recoil could result.
- After engine starts, move engine speed control to approximately half and return choke control to open "OFF" position.



TO SHUT ENGINE DOWN:

- Move engine speed control to slow "Turtle" position.
- Allow engine to idle for 2-3 minutes before shutting down.
- Move engine speed control to "STOP" position. Turn fuel valve to closed position.

IMPORTANT NOTE: *If you experience problems with your engine that cannot be satisfactorily resolved by following the instructions contained within the engine manual, contact your local engine dealer, or call the toll-free service number listed in the repair section of the engine manual. All engine service, warranty or otherwise, is required to be performed by a manufacturer-authorized service center. The equipment manufacturer is neither authorized nor responsible for any type of warranty engine service, nor is it equipped to perform any such service.*

BLOWER OPERATION



DANGER! DO NOT PASS BY OR STAND ON THE AIR DISCHARGE SIDE OF ANY LEAF BLOWER WITH THE ENGINE RUNNING. HIGH VELOCITY DISCHARGE CAN EASILY TURN HARMLESS DEBRIS INTO FLYING PROJECTILES.



DANGER! NEVER INSERT ANY BODY PART OR FOREIGN OBJECT INTO ANY OPENING WHILE UNIT IS RUNNING. SERIOUS INJURY OR DEATH CAN RESULT.

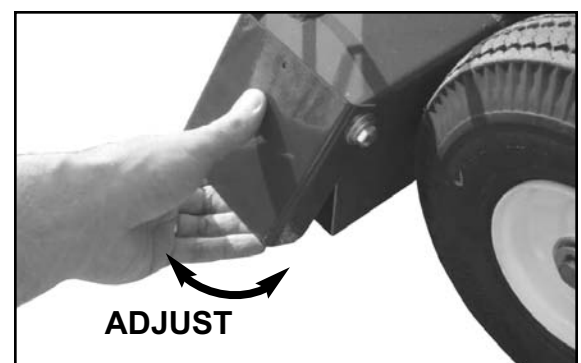
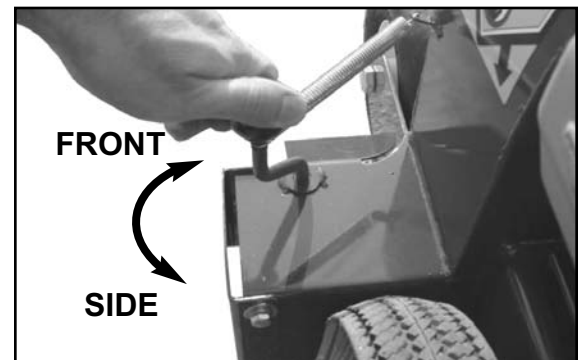
4 unit operation (cont.)

GENERAL RULES TO OBSERVE BEFORE AND DURING OPERATION:

- Inspect your unit before each and every use. Check for worn, bent or broken components, loose fasteners, low or flat tires, etc., and repair or replace prior to operation. **DO NOT OPERATE A MACHINE THAT IS WORN OR DAMAGED – SERIOUS INJURY OR DEATH CAN RESULT.**
- Clear the entire work area of all debris that could cause damage to or become entangled in the unit. Rocks and large branches can wedge themselves between the impeller and housing, causing equipment damage or personal injury. If in doubt, remove it.
- Do not start unit until you are ready to begin blowing, and promptly shut off unit as soon as operation is complete.
- Keep hands, feet and clothing away from rotating parts. Never place your feet or hands in path of discharge.
- Use proper discretion in selecting your debris removal pattern, especially on uneven terrain. Avoid steep hills, especially if surface is wet. Do not travel straight down slopes exceeding 14 degrees. If tires begin to slip when climbing a slope, the grade is too steep for safe operation. Angle the unit to a less steep slope until tires stop slipping and traction is regained.
- Be keenly aware of your surroundings while operating unit – children and pets can pop out of nowhere.
- Learn to listen to your machine – being aware of what a well-running unit sounds like can alert you to a potential problem. A straining engine or clanging impeller means that trouble is almost sure to follow.

TO CHANGE AIR DISCHARGE DIRECTION:

- To direct air discharge out from the front of the machine, open the forward air deflector door, mounted on the front of the discharge end of the blower, by pushing the control lever to the front of the machine. This feature is ideal for such things as blowing debris from a wall or fence. Adjust engine speed to increase or decrease air discharge rate.
- To direct air discharge out from the side of the machine, close the forward air deflector door by pulling the control lever toward the back of the machine. Adjust the discharge deflector up or down to control angle of discharge. This feature is ideal for such things as blowing debris into neat rows. Adjust engine speed to increase or decrease air discharge rate. **IMPORTANT: SHUT UNIT DOWN BEFORE ADJUSTING SIDE DEFLECTOR.**



HINTS FOR EFFECTIVE OPERATION:

- For operator ease and maneuverability, push down on the upper handle while walking so that the machine balances on the rear wheels.
- When blowing dry debris, set blower discharge to lower rate; when blowing wet or frozen debris, increase discharge rate.

5 maintenance



BEFORE MAKING ANY ADJUSTMENTS, STOP ENGINE AND DISCONNECT SPARK PLUG WIRE TO PREVENT INADVERTENT STARTING OF UNIT.

GENERAL:

- Follow **implicitly** the engine manufacturer's recommendations for maintenance.
- Always keep your machine clean – especially the engine. Check all adjustments periodically. Also, periodically check that all fasteners are secure.
- Never make any adjustments to the unit until the engine is **off** and the spark plug wire is disconnected.
- If carburetor adjustment is necessary, stand to one side and **keep feet and hands** in the clear while making adjustments.
- Keep engine free of accumulations of grass, leaves or excessive grease. An accumulation of these combustible materials may result in a fire.
- Store gasoline in a **safe and approved** container in a cool, dry place.
- Keep the unit and any fuel containers in locked storage to prevent children from playing and/or tampering with them.
- Do not store gasoline powered equipment or fuel containers in a basement or any closed area where heating or heat appliances or open pilot lights are present, unless the fuel is completely drained from the power equipment and the fuel containers.

LUBRICATION:

- The tires on your blower contain bearings that should be lubricated on a weekly basis using a high-performance, automotive quality grease to ensure long life and minimal wear.

5 maintenance (cont.)



BEFORE MAKING ANY ADJUSTMENTS, STOP ENGINE AND DISCONNECT SPARK PLUG WIRE TO PREVENT INADVERTENT STARTING OF UNIT.

TROUBLESHOOTING:

- **UNIT WILL NOT START:**

- Check fuel and oil levels.
- Check to make sure choke is set when engine is cold, off when hot.
- Check throttle for proper operation.
- Check intake baffle for jammed debris or accumulation of debris.
- If condition persists, contact dealer.

- **UNIT STALLS:**

- Check fuel and oil levels.
- Check intake baffle for jammed debris or accumulation of debris.
- If condition persists, contact dealer.

- **EXCESSIVE NOISE OR VIBRATION:**

- Check to make sure all fasteners are tightened securely.
- Remove intake baffle and visually inspect impeller for broken, bent, or cracked blades; also make sure impeller hub is securely tightened onto engine shaft – bolt should be torqued to 15 ft/lbs. Pull recoil and check for bent engine shaft. Contact dealer for repair or replacement if necessary. **Do not attempt to repair a damaged impeller or bent engine shaft. Serious injury or equipment damage may result.**



BEFORE REMOVING INTAKE BAFFLE, OR ANY OTHER COMPONENT, STOP ENGINE AND DISCONNECT SPARK PLUG WIRE TO PREVENT INADVERTENT STARTING OF UNIT.

- **UNIT DOES NOT TRAVEL STRAIGHT:**

- Check camber on front wheel, adjust as needed. Refer to Section “ADJUSTMENTS - FRONT WHEEL CAMBER ADJUSTMENT.
- Make sure wheels are lubricated. Refer to Section “MAINTENANCE - LUBRICATION.

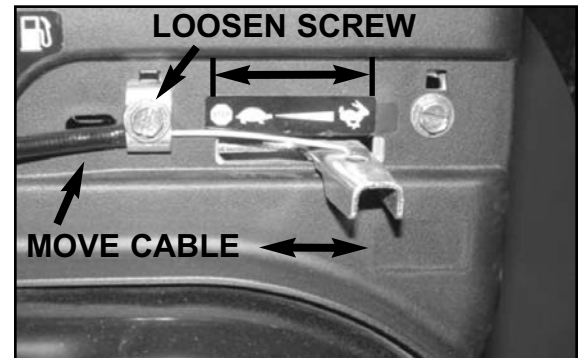
5 maintenance (cont.)

ADJUSTMENTS:

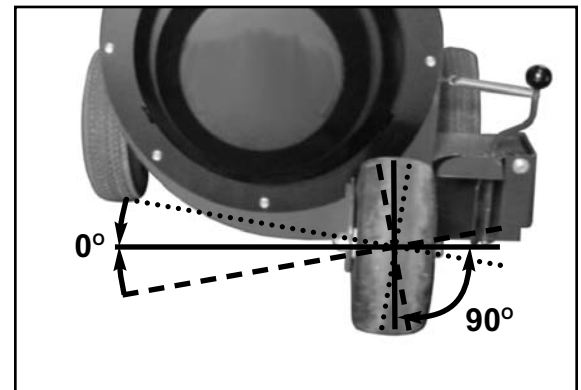


BEFORE MAKING ANY ADJUSTMENTS, STOP ENGINE AND DISCONNECT SPARK PLUG WIRE TO PREVENT INADVERTENT STARTING OF UNIT.

- **THROTTLE CABLE ADJUSTMENT:** Correct cable adjustment allows for full range of movement of throttle body on engine in conjunction with throttle control on handle. To adjust, loosen cable clip screw on engine, then slide cable housing in or out in approximately 1/8-1/4" increments. Retighten screw, recheck, and readjust as needed.



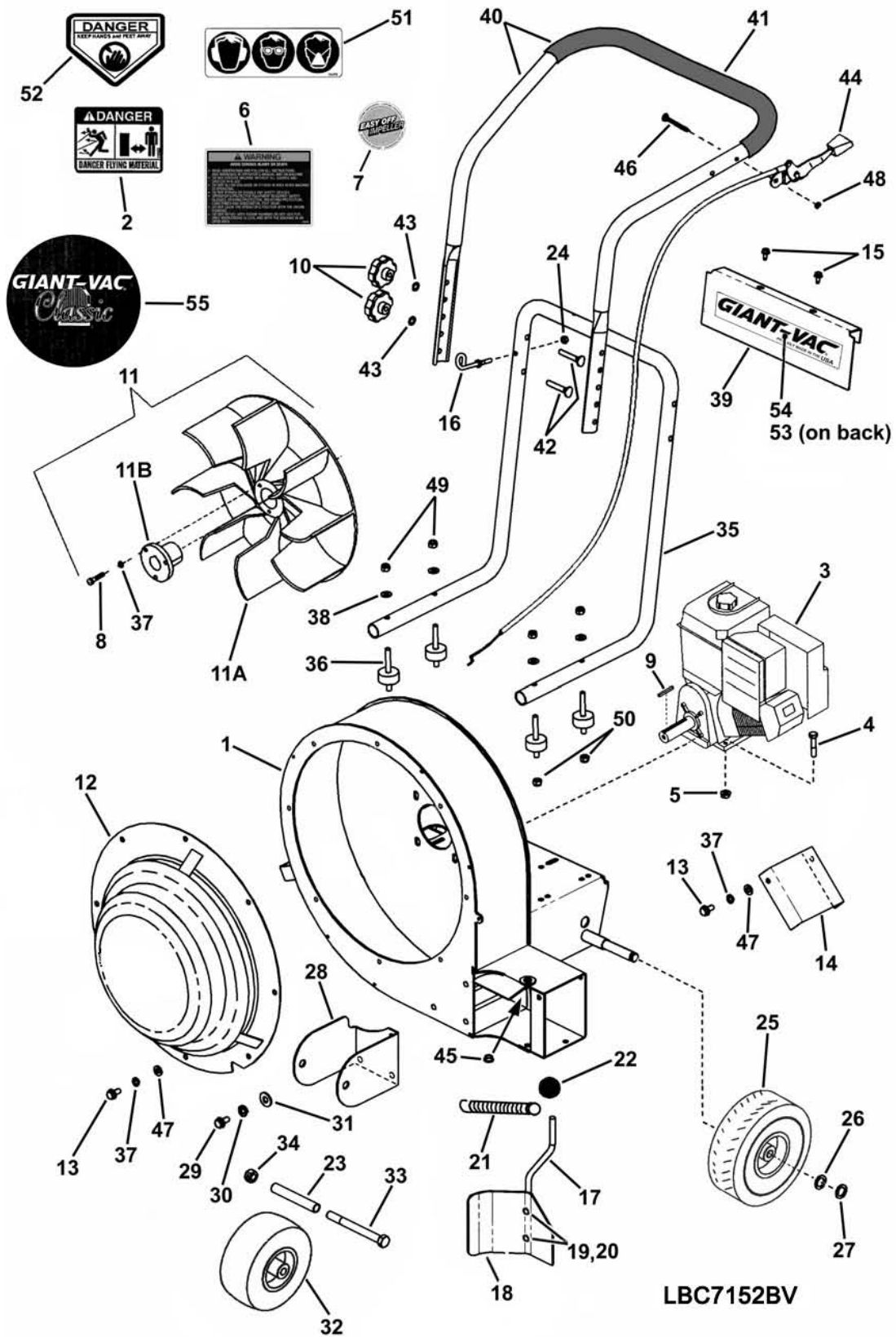
- **FRONT WHEEL CAMBER ADJUSTMENT:** Correct camber adjustment will place the front axle at 0 degrees, or parallel with level ground, and the wheel at 90 degrees or perpendicular with level ground. Adjust by loosening the three mounting bolts and placing a square aside the wheel and adjusting until square sits flat on ground and touches upper and lower points of tire, then retightening bolts. An alternate method is to place a level against the side of the caster bracket.



REPLACEMENT PARTS:

- Replacement parts are available through your dealer.

6 illustrated parts list

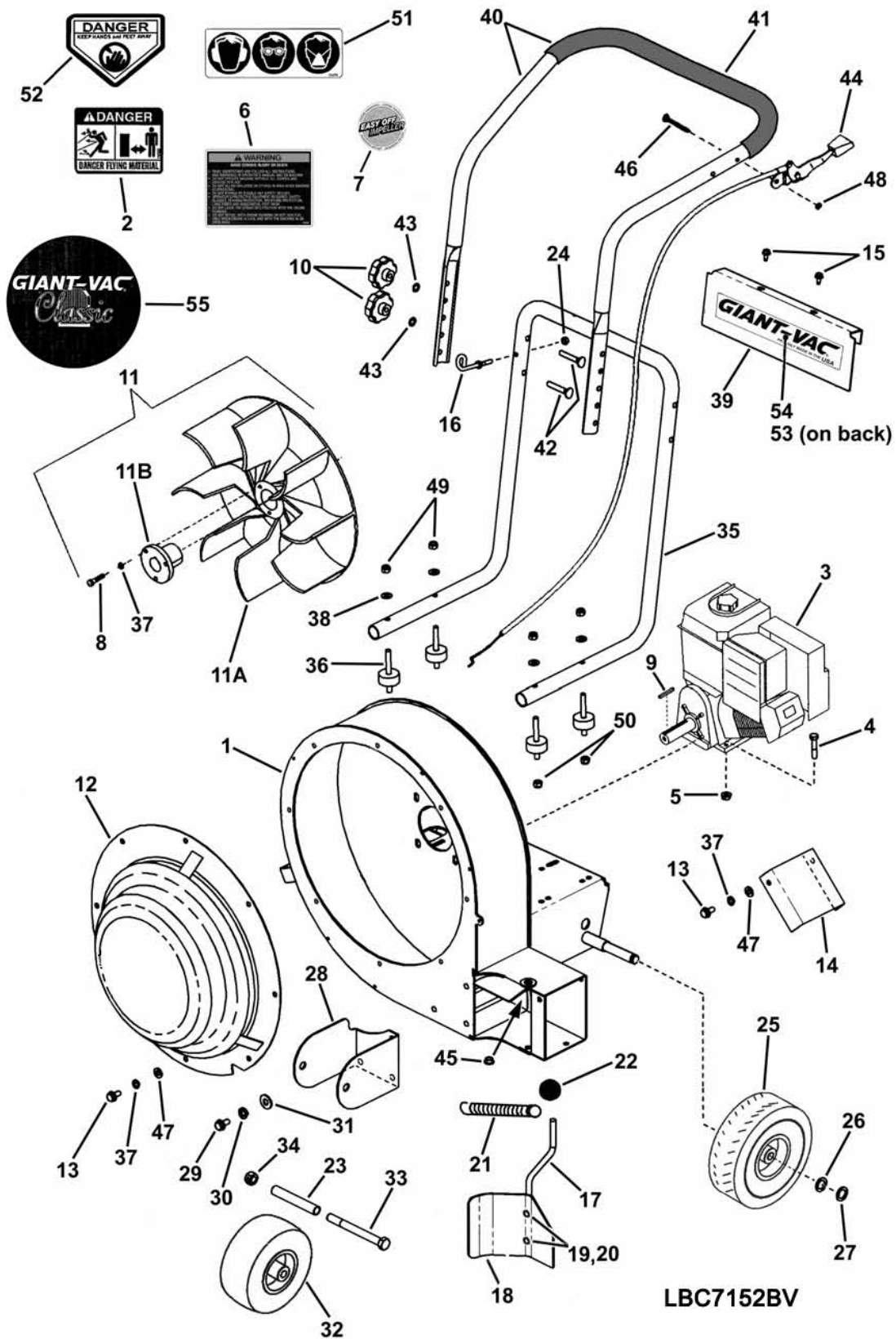


6

illustrated parts list (cont.)

Item	Part No.	Qty	Description
1	7043267	1	WELDMENT, Housing- LBC7152BV
2	7033874	1	DECAL - Thrown Objects - see DECAL IDENTIFICATION
3	7101049	1	ENGINE, B&S Intek
4	7091540	4	SCREW, 5/16-18 x 1-1/2 Hex Head Cap, GR5
5	7091601	4	NUT, 5/16-18 Hex Flange Lock, GR5
6	7033686	1	DECAL - Warning - see DECAL IDENTIFICATION
7	3079269	1	DECAL - Easy Off Impeller - See DECAL IDENTIFICATION
8	7091527	3	SCREW, 5/16-18 x 1-1/4", Hex Head Cap, GR5
9	7010210	1	KEY, 1/4" Square x 2"
10	3071776	4	KNOB, Fluted- Folding Handles
11	3021598	1	ASSEMBLY, 15" 9 Blade Impeller (Includes items 11A, 11B & 3 ea items 8 & 37)
11A	3021595	1	IMPELLER, Cast, 15" O.D.
11B	3021596	1	HUB, Taper-Lok, Type 1 - P1 x 1 (1.938 OAL)
12	3020233	1	WELDMENT, Intake Baffle- Extreme
13	7091318	10	SCREW, 5/16-18 x 3/4", Hex Head Cap, GR5
14	7078106	1	DEFLECTOR, Side Air
15	7091523	2	SCREW, 5/16-18 x 5/8" Hex Washer Self-Tap
16	7046465	1	GUIDE, Rope (1/4-20 thread)
17	7078149	1	ROD, Door Front/Side Discharge
18	7078150	1	DOOR, Forward Air Control
19	7091530	2	BOLT, 1/4-20 x 3/4 Carriage
20	7091584	2	NUT, 1/4-20 Hex Flange
21	3071782	1	SPRING, Extension- Side Air Discharge Door
22	3031103	1	KNOB, Ball Hand Lever- 3/8-16 Metal Insert
23	7022151	1	SLEEVE, Front Axle
24	7090372	1	NUT, 1/4-20 Hex Center Lock, GR5 or B
25	3033001	2	ASSY., Wheel & Tire 410/350-4
---	3033107	4	BALL BEARING, 5/8 x 1-3/8" (include with wheel assembly, item 25)
26	7091628	2	WASHER, .64 x .99 x .05 Flat
27	7012763	2	RING, External Retaining (TRU1500-62)
28	7078139	1	BRACKET, Front Wheel Mounting, Extreme/WJ
29	7091304	3	SCREW, 3/8-16 x 1" Hex Head Cap
30	7091320	3	WASHER, 3/8" Split Lock
31	7090517	3	WASHER, 3/8" Flat
32	7058167	1	ASSY., Tire & Wheel 9 x 350-4
33	7091822	1	SCREW, 1/2-13 x 5" Hex Head Cap
34	7091894	1	NUT, 1/2-13 Hex Center Lock, GR5
35	7033753	1	HANDLE, Lower Folding- Wide- Blower
36	3032160	4	MOUNT, Vibration
37	7091315	13	WASHER, 5/16" Split Lock
38	1717312	4	WASHER, 5/16" Curved
39	7033866	1	DASH PANEL, Blower- Wide
40	3023276	1	ASSY, Upper Handle & Grip- Wide (p/n 33696 + grip)
41	7074422	1	GRIP, 1.0 x 21-1/2" Foam
42	7091189	4	BOLT, 5/16-18 x 2", Curved Head Square Neck, GR2

6 illustrated parts list (cont.)



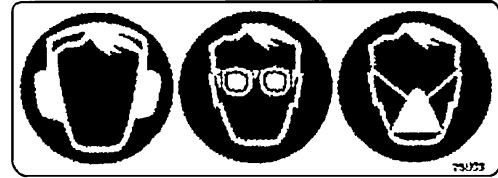
6 *illustrated parts list (cont.)*

Item	Part No.	Qty	Description
43	7090391	4	WASHER, 5/16" Internal Tooth Lock
44	3071800	1	THROTTLE CONTROL, Briggs
45	7078169	2	BEARING, 3/8 Clip
46	7090505	1	SCREW, 1/4-20 x 2" Hex Head Cap, GR5
47	7090188	10	WASHER, .34 x .69 x .08 Flat
48	7076978	1	NUT, 1/4-20 Hex Nyloc
49	7091298	4	NUT, 5/16-18 Hex Nyloc
50	7091601	4	NUT, 5/16-18 Hex Flange Lock, GR5
51	7075893	1	DECAL - Personal Protection - see DECAL IDENTIFICATION
52	7013010	1	DECAL - Cut Finger - see DECAL IDENTIFICATION
53	7029445	1	DECAL - 'Giant-Vac' Small - see DECAL IDENTIFICATION
54	7075861	1	DECAL - 'Giant-Vac' Large - see DECAL IDENTIFICATION
55	7078105	1	DECAL - Classic - see DECAL IDENTIFICATION

7 decal identification



7033686 - WARNING - LOCATED ON SIDE OF BLOWER HOUSING



7075893 - EAR/EYE/BREATHING PROTECTION REQUIRED - LOCATED ON SIDE OF BLOWER HOUSING



7013010 - DANGER-KEEP HANDS AND FEET AWAY - LOCATED ABOVE BLOWER DISCHARGE



7033874 - DANGER-FLYING MATERIAL - LOCATED ON SIDE OF BLOWER HOUSING



7075861 / 7029445 - GIANT-VAC LOGO - LOCATED ON MID-HANDLE PANEL (ON APPLICABLE MODELS)



3079269 - 'EASY-OFF IMPELLER' - LOCATED ON INTAKE BAFFLE



7078105 - GIANT-VAC CLASSIC LOGO - LOCATED ON INTAKE BAFFLE (ON APPLICABLE MODELS)

8 *warranty registration*

Sold to	_____	Dealer	_____
	_____		_____
	_____		_____
Model #	_____	Ser #	_____
Purchase Date	_____	Order #	_____

Manufacturer: **Giant-Vac, Inc. P. O. Box 1379 McDonough, GA 30253**

Description: _____

Giant-Vac Warranty

Giant-Vac, Inc., hereinafter called Giant-Vac, warrants each new Giant-Vac to the original purchaser of new Giant-Vac equipment to be free from manufacturing defects in normal service for a period of two (2) years for consumer use, one (1) year for commercial use, or thirty (30) days for rental use. This warranty extends only to the original purchaser of the product and cannot be transferred. This warranty does not apply to engines, tires or other parts that are not manufactured by Giant-Vac. Items such as bags, grass catchers, hoses and blades are not warranted, as these are considered expendable items. This warranty does not include equipment failures due to normal wear.

An obligation under this warranty is expressly limited to the replacement or repair at an authorized servicing Giant-Vac dealer, or at a point designated by us, of such parts or parts as appear to us to have been defective.

We shall not be liable for transportation charges in connection with the replacement or repair of defective parts.

This warranty does not apply to a Giant-Vac upon which repairs or alterations have been made by others except with our prior written approval.

We shall not be liable for consequential damages or contingent liabilities nor for the fitness of any Giant-Vac for any particular purpose.

We make no other express, implied or statutory warranty, nor is anyone authorized to make any in our behalf.

GIANT-VAC

McDonough, GA 30253

GIANT-VAC®

ASSEMBLY INSTRUCTIONS
OPERATOR'S MANUAL
PARTS LIST

Walk-Behind Leaf Blower Series 2