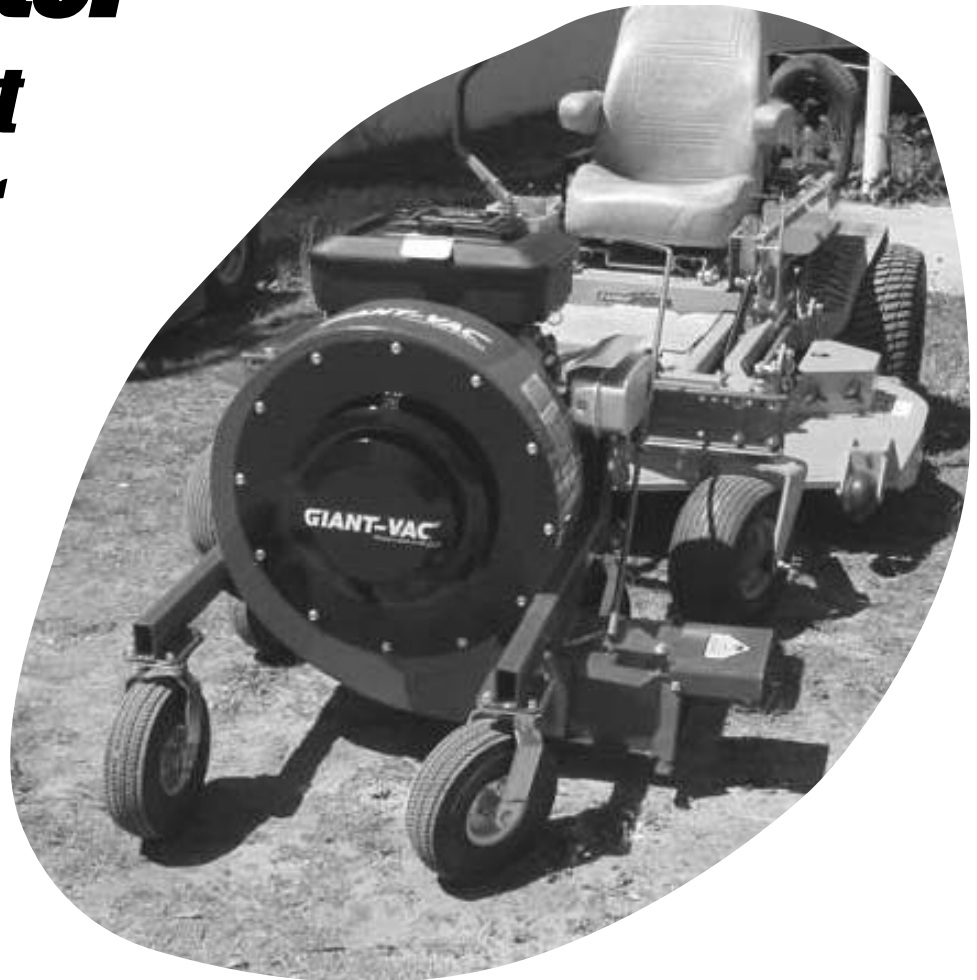


# **GIANT-VAC<sup>®</sup>**

**ASSEMBLY INSTRUCTIONS  
OPERATOR'S MANUAL  
PARTS LIST**

## **Leaf Buster Front-Mount Leaf Blower**



## **Model 16Z**

**Models covered:**  
16Z

Actual product may differ slightly from product pictured above

# 1 preliminaries

## ***Congratulations!***

You have just purchased one of the finest pieces of outdoor power equipment on the market today. If properly cared for, your new blower will provide years of dependable service. Please read and follow this instruction manual carefully in order to get the most out of your new equipment.

As you carefully unpack your unit, you will find the following items:

- 1 Blower Unit**
- 4 Caster Wheel Assemblies** (may already be installed on power unit)
- 1 Mounting Kit including:**
  - 1 - Mounting Bar with strut mounting brackets attached
  - 2 - Mounting Struts
- 1 Forward Discharge Door Control Rod**
- 1 Package of assembly hardware**
- 1 Package containing operating manuals and warranty registration**

Each product leaves our factory in excellent condition; occasionally, however, some damage may occur during shipment. If any such damage is found upon initial inspection, immediately notify the transport carrier who delivered your machine, as they are solely responsible for such damage, as well as any subsequent adjustments necessary.

Before assembly, please take a moment and record your model number and serial number below for future reference (both numbers are located on the silver tag adhered to the rear of the unit, below and to the right of the engine):

**Model number** \_\_\_\_\_

**Serial number** \_\_\_\_\_

Also be sure to promptly fill out and return the warranty registration enclosed in your manual packet.

Your new blower requires very little assembly. Simply follow the instructions contained within this manual to begin enjoying the benefits of your new unit.

**CALIFORNIA PROPOSITION 65 WARNING**

Gasoline and Diesel engine exhaust and some of its constituents are known to the State of California to cause cancer, birth defects and other reproductive harm.

As an owner of off-road gasoline or diesel engine equipment and/or as an employer, you also may have an obligation under the California Occupational Safety and Health Act or under Proposition 65 to warn persons exposed to gas and diesel engine exhaust and/or other Proposition 65 chemicals in and around your workplace. See California Health and Safety Code section 25249.5, Title 22 of the California Code of Regulations at Section 1200 et seq., and Title 8 of the California Code of Regulations Section 5194.



## **IMPORTANT! READ CAREFULLY THE FOLLOWING SAFETY RULES BEFORE ASSEMBLING OR OPERATING UNIT.**

### **TRAINING**

- o Read, understand, and follow all instructions in the manual and on the unit before starting. If the operator(s) or mechanic(s) can not read English it is the owner's responsibility to explain this material to them.
- o Become familiar with the safe operation of the equipment, operator controls, and safety signs.
- o All operators and mechanics should be trained. The owner is responsible for training the users.
- o Only allow responsible adults, who are familiar with the instructions, to operate the unit.
- o Never let children or untrained people operate or service the equipment. Local regulations may restrict the age of the operator.
- o The owner/user can prevent and is responsible for accidents or injuries occurring to themselves, other people or property.

### **PREPARATION**

- o Evaluate the terrain to determine what accessories and attachments are needed to properly and safely perform the job. Use only accessories and attachments approved by the manufacturer.
- o Wear appropriate clothing including safety shoes, safety glasses and ear protection. Long hair, loose clothing or jewelry may get tangled in moving parts.
- o Inspect the area where the equipment is to be used and remove all objects such as rocks, toys and wire, which can be thrown by the machine.
- o Use extra care when handling gasoline and other fuels. They are flammable and vapors are explosive.
  - a) Use only an approved container.
  - b) Never remove fuel cap or add fuel with the engine running. Allow engine to cool before refueling. Do not smoke.
  - c) Never refuel or drain the machine indoors.
- o Check that operator's presence controls, safety switches and shields are attached and functioning properly. Do not operate unless they are functioning properly.

### **OPERATION**

- o Never run an engine in an enclosed area.
- o Operate only in the daylight or with good artificial light, keeping away from holes and hidden hazards.
- o Be sure of your footing while using pedestrian controlled equipment, especially when backing up. Walk, don't run.
- o Do not operate in reverse unless absolutely necessary. Always look down and behind before and while traveling in reverse.
- o Be aware of the blower discharge direction and do not point it at anyone. Do not operate the blower without deflectors in place.
- o Never leave a running unit unattended. Always stop

engine before leaving unit.

- o Never operate with guards not securely in place. Be sure all safety features are attached, adjusted properly and functioning properly.
- o Never operate with the discharge deflectors removed or altered.
- o Do not change the engine governor setting or over speed the engine.
- o Stop on level ground, shut off engine before leaving the operator's position for any reason.
- o Stop equipment and inspect impeller blades after striking objects or abnormal vibration occurs. Make necessary repairs before resuming operations.
- o Keep hands and feet away intake and discharge areas.
- o Keep pets and bystanders away.
- o Do not operate the unit while under the influence of alcohol or drugs.
- o Use caution when crossing roads and sidewalks. Stop engine if not blowing.
- o Use care when loading or unloading the machine into a trailer or truck.
- o Use care when approaching blind corners, shrubs, trees or other objects that may obscure vision.

### **SLOPE OPERATION**

Slopes are a major factor related to loss-of-control and tip-over accidents, which can result in severe injury or death. All slopes require extra caution. If you cannot back up the slope, or if you feel uneasy on it, do not drive on it.

#### **Do**

- o Blow across the face of slopes; never up and down.
- o Remove obstacles such as rocks, tree limbs, etc.
- o Watch for holes, ruts, or bumps. Uneven terrain could overturn the unit. Tall grass can hide obstacles.
- o Keep all movement on the slopes slow and gradual. Do not make sudden changes in speed or direction.

#### **Do Not**

- o Do not start or stop on a slope. If tires lose traction, proceed slowly straight down the slope.
- o Do not turn on slopes unless necessary, and then, turn slowly and gradually downhill, if possible.
- o Do not use near drop-offs, ditches, or embankments. The operator could lose footing or balance or blower could suddenly turn over if a wheel is over the edge of a cliff or ditch, or if an edge caves in.
- o Do not operate on slopes with wet grass. Reduced footing or traction could cause sliding.
- o Do not use on excessively steep slopes.

## **2** *safety rules regarding outdoor power equipment*

### **CHILDREN**

Tragic accidents can occur if the operator is not alert to the presence of children. Children are often attracted to the unit and its activity. Never assume that children will remain where you last saw them.

- o Keep children out of the blowing area and under the watchful care of another responsible adult.
- o Be alert and turn unit off if children enter the area.
- o Before and during reverse operation, look behind and down for small children.
- o Never allow children to operate the unit.
- o Use extra care when approaching blind corners, shrubs, trees, or other objects that may obscure vision.

### **EMISSIONS**

o Engine exhaust from this product contains chemicals known, in certain quantities, to cause cancer, birth defects, or other reproductive harm.

- o Look for the relevant Emissions Durability Period and Air Index information on the engine emissions label.

### **MAINTENANCE AND STORAGE**

o Always observe safe refueling and fuel handling practices when refueling the unit after transportation or storage.

o Always follow the engine manual instructions for storage preparations before storing the unit for both short and long term periods.

o Always follow the engine manual instructions for proper start-up procedures when returning the unit to service.

o Never store the machine or fuel container inside where there is an open flame, such as in a water heater. Allow unit to cool before storing.

o Shut off fuel while storing or transporting. Do not store fuel near flames or drain indoors.

o Keep all hardware, especially impeller bolt, tight and keep all parts in good working condition. Replace all worn or damaged decals.

o Never tamper with safety devices. Check their proper operation regularly.

o Clean leaves and debris from mufflers and engine to prevent fires. Clean up oil or fuel spillage.

o Stop and inspect the equipment if you strike an object. Repair, if necessary, before restarting.

o Never make adjustments or repairs with the engine running unless specified otherwise.

o Park machine on level ground. Never allow untrained personnel to service machine.

o Carefully release pressure from components with stored energy. (e.g. springs)

o Only replace impellers. Never straighten or weld them.

o Keep hands and feet away from moving parts.

o Frequently check components and replace with manufacturer's recommended parts, when necessary.

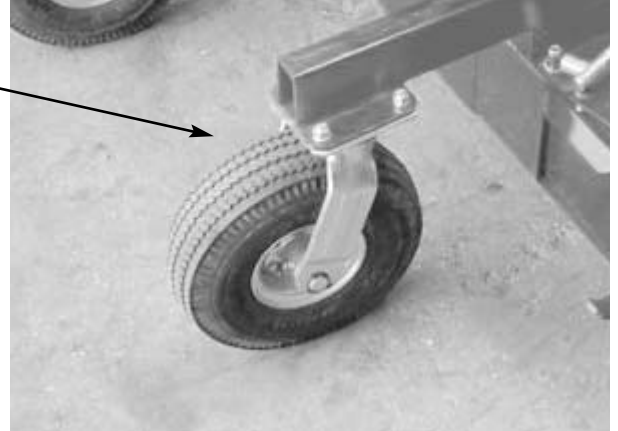
o Use only factory authorized replacement parts when making repairs.

o Always comply with factory specifications on all settings and adjustments.

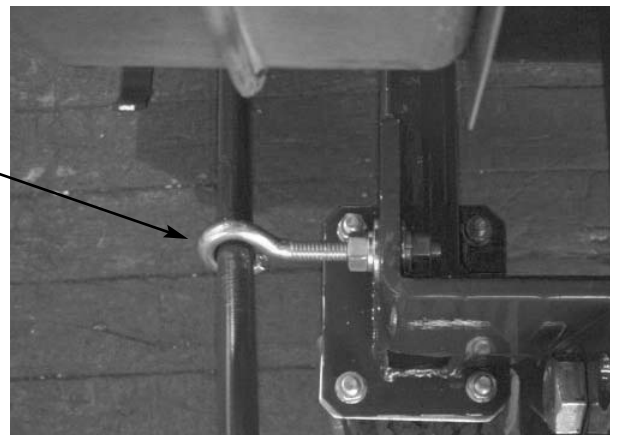
o Only authorized service locations should be utilized for major service and repair requirements.

o Never attempt to make major repairs on this unit unless you have been properly trained. Improper service procedures can result in hazardous operation, equipment damage and voiding of manufacturer's warranty.

Using proper lifting equipment, attach each of the four Caster Assemblies to blower with four 3/8-16 x 1" hex bolts, each fitted with one flat washer, inserting bolts up through caster and mounting pads, then securing with lock washers and nuts. Tighten securely.



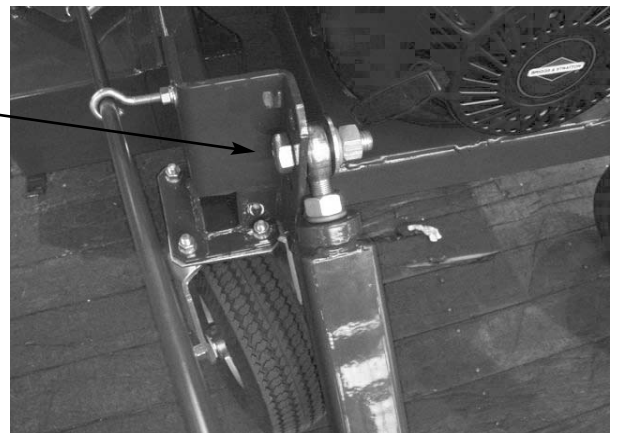
Slip Eyebolt, fitted with one 5/16" hex nut and flat washer, through top hole in left rear corner bracket of blower, securing with second flat washer, lock washer and second nut. Do not tighten yet.



Slide Door Control Rod down through hole in eyebolt. Thread 1/2-20 hex nut onto end of rod. Thread end of rod into Ball Joint atop Bell Crank. Tighten nut securely against ball joint, making sure 'L' shaped bend in top of rod faces toward right side of machine (from operator's perspective). Now tighten eyebolt hardware and check for free movement of rod.



Attach each of the two Strut Assemblies to blower by inserting one 3/4-10 x 2-1/2" hex bolt into one of the three corresponding holes in rear corner bracket. Slip spherical rod end onto bolt, making sure that grease fitting on other end of strut faces up, then secure strut with one 3/4" flat washer, lock washer and nut. Tighten securely.



### **3** *unit assembly*



Connect overflow tube to battery. Fill battery with acid (auto supply store). Place battery in box with terminals facing in. Make necessary battery cable connections with hardware supplied with battery, noting correct terminal designations (black to (-); red to (+)). Place rubber weather cover and top strap over battery and secure strap with two 5/16-18 x 1" bolts, lock washers and nuts. Tighten snugly.



Attach Mounting Bar to front of mower/rider by laying bar against front caster arms and slipping one U-bolt around top and bottom of each of the two front caster arm bosses and through corresponding holes in bar. Be sure bar is centered.



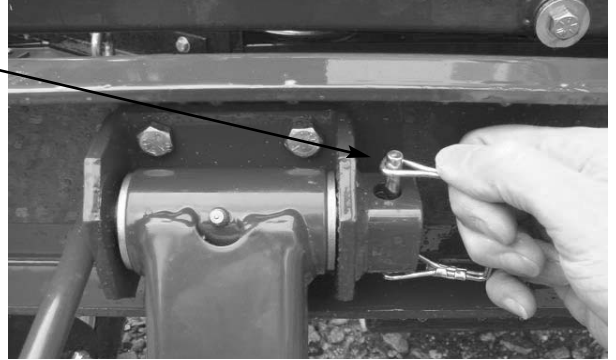
Secure each U-bolt to bar with one 3/8" flat washer, lock washer and nut on each of the eight threaded ends. Tighten all hardware securely.



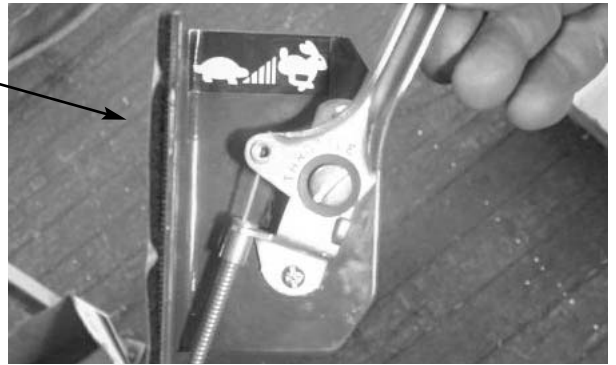
Positioning blower in front of rider, position each of the two mounting struts into the mounting bar hitch brackets and secure each strut with mounting pin.

## unit assembly 3

Secure each mounting pin with snapper pin.



Mount remote throttle control to convenient location on rider using self-adhesive velcro patch.



## unit operation 4

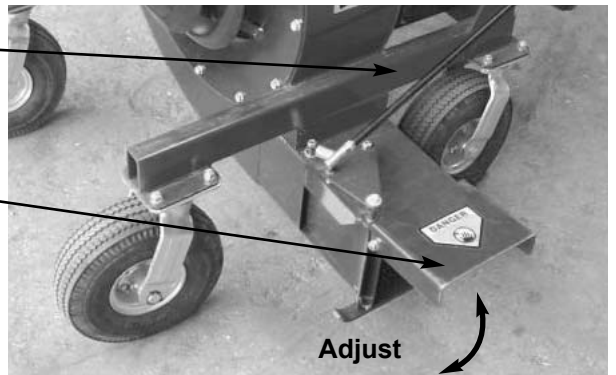
After reading Engine manual thoroughly and servicing engine as per manufacturer's instructions, start engine.

Adjust Throttle to about half after starting.



To blow debris toward front of machine, pull back on Door Control Rod.

To blow debris toward side of machine, push forward on Door Control Rod. Side discharge deflector can be adjusted to provide most efficient discharge flow. **Note: Turn off engine before adjusting side discharge deflector. High velocity discharge can cause serious injury.**



Refer to the operator's manual of your rider for safe operation of your unit.

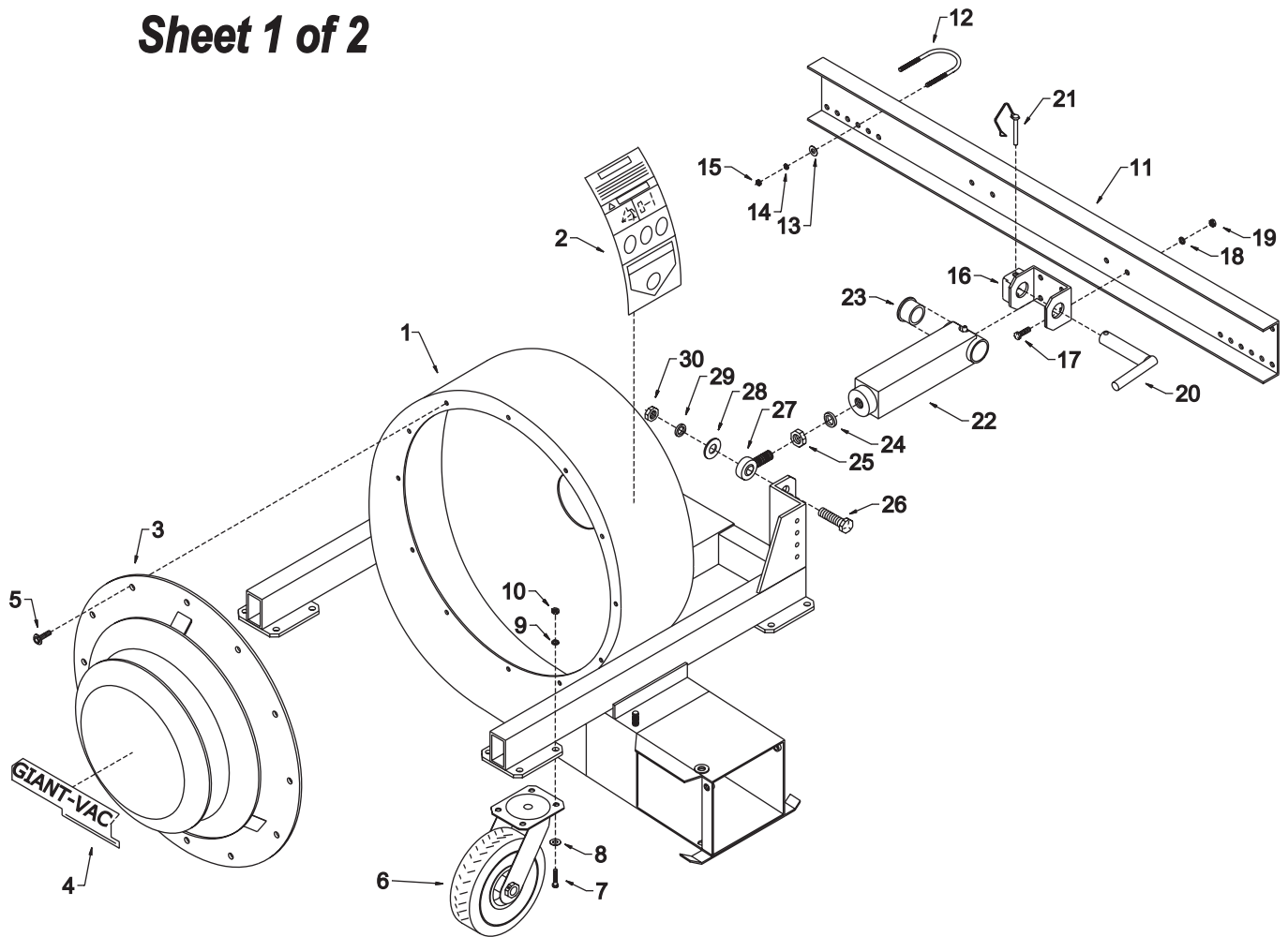
# GIANT-VAC, INC.

PARTS LIST #5810

## '16Z LEAF BUSTER'

### Housing & Mount Group

Sheet 1 of 2



R0902.1



**Parts List # 5810**

**Giant-Vac Leaf Buster - Model 16Z**

R0902.1  
Qty

Ref # Part # Description

**Sheet 1 - Housing & Mount Group**

1	10255	Base, housing & frame	1
2	79099	Decal - Caution/Danger combo	1
3	20229	Baffle, intake	1
4	79174	Decal - 'Giant-Vac' - 9" White-on-black	1
5	31660	Bolt, 'F' thread - 5/16-18 x 3/4"	12
6	33278	Assy, caster wheel & tire	4
7	31033	Bolt, hex head - 3/8-18 x 1"	16
8	31034	Washer, flat - 3/8"	16
9	31008	Washer, split lock - 3/8"	16
10	31009	Nut, hex finish - 3/8-16	16
11	38047	Bumper, adjustable 2 pt hitch	1
12	31909	Bolt, 'U' - 3/8" x 2-1/4" dia	4
13	31034	Washer, flat - 3/8"	8
14	31008	Washer, split lock - 3/8"	8
15	31009	Nut, hex finish - 3/8-16	8
16	27438	Bracket, 2 pt hitch	2
17	31492	Bolt, hex head - 3/8-16 x 3/4"	8
18	31008	Washer, split lock - 3/8"	8
19	31009	Nut, hex finish - 3/8-16	8
20	32030	Pin, hitch - 1" dia x 5"	2
21	32031	Pin, snapper - 1/4" x 2"	2
22	27439	Strut, 2 pt hitch	2
23	31306	Bushing, flange - 1" id	4
24	32041	Washer, split lock - 3/4"	2
25	32033	Nut, hex jam - 3/4-16	2
26	32034	Bolt, hex head - 3/4-10 x 2-1/4" gr5	2
27	32028	Linkage, spherical rod end - 3/4 x 3/4-16 UNF	2
28	31331	Washer, flat - 3/4"	2
29	32041	Washer, split lock - 3/4"	2
30	31110	Nut, hex finish - 3/4-10	2

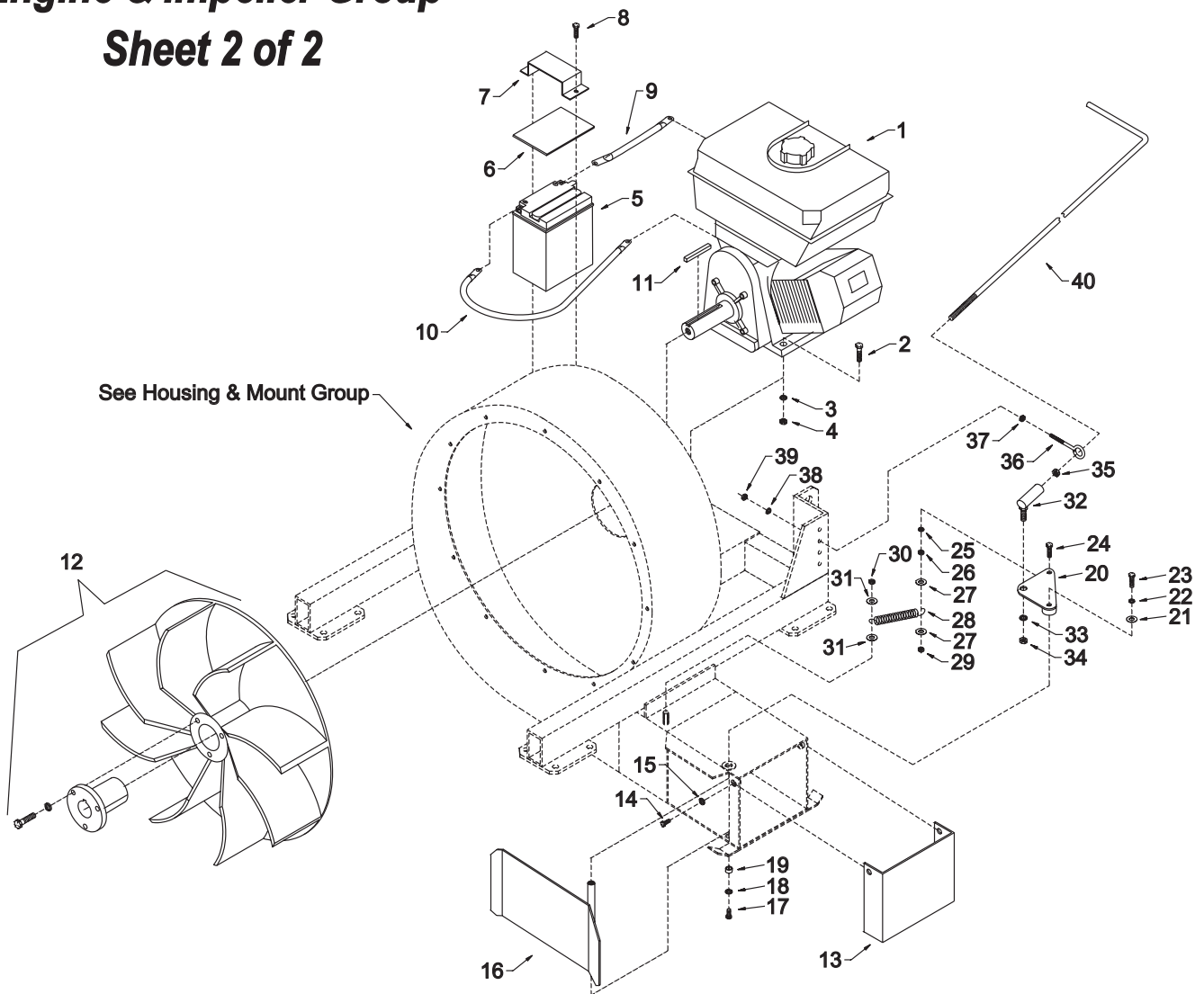
# GIANT-VAC, INC.

PARTS LIST #5810

## '16Z LEAF BUSTER'

Engine & Impeller Group

Sheet 2 of 2



**R0902.1**

**Parts List # 5810**

**Glant-Vac Leaf Buster - Model 16Z**

R0902.1  
Qty

Ref #	Part #	Description	Qty
<b>Sheet 2 - Engine &amp; Impeller Group</b>			
1	39097	Engine, 16hp Briggs & Stratton Vanguard	1
--	35004	Control, throttle cable - 72" (not shown)	1
--	27465	Bracket, throttle control mounting - with velcro (not shown)	1
--	31943	Screw, round head combo machine - #8-32 x 1/2" (not shown)	2
--	31983	Washer, split lock - #8 nom. (not shown)	2
--	31949	Nut, hex finish - #8-32 (not shown)	2
2	31002	Bolt, hex head - 5/16-18 x 1-3/4" gr5	4
3	31003	Washer, split lock - 5/16"	4
4	31003	Nut, hex finish - 5/16-18	4
5	39058	Battery 12N14-3A	1
6	31681	Pad, rubber battery cover	1
7	40151	Strap, battery top	1
8	31032	Bolt, hex head - 5/16-18 x 1" gr5	2
--	31002	Washer, split lock - 5/16" (not shown)	2
--	31003	Nut, hex head - 5/16-18 (not shown)	2
9	31725	Cable, battery - 8" red - battery positive	1
10	31726	Cable, battery - 10" black - battery ground	1
11	31795	Key, engine shaft - 1/4" sq x 2-1/8"	1
12	21588	Impeller (complete with taper-lok hub)	1
--	21589	Hub, taper-lok - P3 x 1-1/8"	1
--	31646	Bolt, hex head - 5/16-18 x 1-1/4" gr5	3
--	31002	Washer, split lock - 5/16"	3
13	24645	Deflector, side discharge	1
14	31035	Bolt, hex head - 3/8-16 x 5/8" gr5	2
15	31008	Washer, split lock - 3/8"	2
16	24646	Door, forward discharge	1
17	31031	Bolt, hex head - 5/16-18 x 3/4"	1
18	31003	Washer, split lock - 5/16"	1
19	32045	Spacer, 5/16" id x 1/2" od x 1/4"	1
20	27437	Bell crank, fwd door	1
21	31027	Washer, flat - 5/16"	1
22	31003	Washer, split lock - 5/16"	1
23	31032	Bolt, hex head - 5/16-18 x 1"	1
24	31032	Bolt, hex head - 5/16-18 x 1"	1
25	31003	Washer, split lock - 5/16"	1
26	31003	Nut, hex finish - 5/16-18	1
27	31027	Washer, flat - 5/16"	2
28	31422	Spring, forward discharge door	1
29	31436	Nut, reverse lock - 5/16-18	1
30	31355	Nut, reverse lock - 3/8-16	1
31	31034	Washer, flat - 3/8"	2
32	31784	Linkage, ball joint - 1/2-20	1
33	31078	Washer, split lock - 1/2"	1
34	32036	Nut, hex jam - 1/2-20	1
35	32036	Nut, hex jam - 1/2-20	1
36	31618	Bolt, turned eye - 5/16-18 x 3-1/4"	1
37	31004	Nut, hex finish - 5/16-18	1
38	31003	Washer, split lock - 5/16"	1
39	31004	Nut, hex finish - 5/16-18	1
40	23269	Rod, control - fwd discharge door	1

**SPECIFICATIONS SUBJECT TO CHANGE WITHOUT NOTICE**

# ***warranty***

**GIANT-VAC, INC.**, here-in-after called Giant-Vac, will warrant each new Giant-Vac product to be free from manufacturing defects in normal service for a period of two (2) years for consumer use, one (1) year for commercial use, or thirty (30) days for rental use. This warranty extends only to the original purchaser of the product and cannot be transferred. This warranty does not apply to engines, tires or other items that are purchased by Giant-Vac and warranted by the manufacturer of such items. Items such as bags, grass catchers, hoses and blades are not warranted, as these are considered expendable items. This warranty does not include equipment failures due to normal wear.

Any obligation under this warranty is expressly limited to the replacement or repair, at an authorized servicing Giant-Vac dealer, or at a point designated by us, of such parts as appear to us to have been defective. All defective parts have to be returned freight prepaid before credit will be issued.

We shall not be liable for transportation charges in connection with the replacement or repair of defective parts.

This warranty does not apply to a Giant-Vac upon which repairs or alterations have been made by others except with our prior written approval.

We shall not be liable for consequential damages or contingent liabilities for the fitness of any Giant-Vac for any particular purpose.

We make no other express, implied or statutory warranty, nor is anyone authorized to make any in our behalf.

***GIANT-VAC***<sup>®</sup>

P.O. BOX 195  
SOUTH WINDHAM, CT. 06266  
PHONE: 860-423-7741 " FAX: 860-423-2654