

---

# **THE GIANT-VAC**

# **‘WHISPER JET’ BLOWER**

**MODELS 55-BWJ – 80-BWJ – 85-KWJ – 85-KWJT – 90-HWJ –  
10-BWJ - 11-BWJ – 12-KWJ - 16-BWJ**

---

## **OPERATOR’S MANUAL**

---

### ***Congratulations!***

You have just purchased one of the finest pieces of outdoor power equipment on the market today. If properly cared for, your Giant-Vac Whisper Jet Blower will provide years of dependable service. Please read and follow this instruction manual carefully in order to get the most out of your new equipment.

As you unpack your Whisper Jet, you will find the following parts:

- 1 - Whisper Jet power unit
- 1 - Handle assembly in four parts (three parts for 55-BWJ & 10-BWJ)
- 1 - Bag containing front wheel assembly
- 1 - Package of hardware
- 1 - Package containing operating manuals and warranty registration

Your Giant-Vac Whisper Jet Blower requires very little assembly. Simply follow the instructions contained within this manual to begin enjoying the benefits of your new unit.

Each Giant-Vac product leaves our factory in excellent condition; occasionally, however, some damage may occur during shipment. If any such damage is found upon initial inspection, *immediately* notify the transport carrier who delivered your machine, as they are solely responsible for such damage, as well as any subsequent adjustments necessary.

---

### **CALIFORNIA PROPOSITION 65 WARNING**

**Gasoline and Diesel engine exhaust and some of its constituents are known to the State of California to cause cancer, birth defects and other reproductive harm.**

**As an owner of off-road gasoline or diesel engine equipment and/or as an employer, you also may have an obligation under the California Occupational Safety and Health Act or under Proposition 65 to warn persons exposed to gas and diesel engine exhaust and/or other Proposition 65 chemicals in and around your workplace. See California Health and Safety Code section 25249.5, Title 22 of the California Code of Regulations at Section 1200 *et seq.*, and Title 8 of the California Code of Regulations Section 5194.**

---

3/01 Revision

---

# 1

## SAFETY RULES REGARDING OUTDOOR POWER EQUIPMENT

---

**IMPORTANT! READ THE FOLLOWING SAFETY RULES CAREFULLY BEFORE ASSEMBLING OR OPERATING UNIT:**

- Regard your Giant-Vac Leaf Blower as a piece of power equipment and teach this regard to all who will operate this unit. Never allow children or young teenagers to operate the unit.
- Always wear appropriate safety equipment when operating this unit. Proper eye, ear, and breathing protection is a must.
- Be sure you know how to stop both the unit and the engine at a **MOMENT'S NOTICE**. Refer to the operation section of this manual, as well as the engine manual.
- Do not operate with any guards or component parts removed from unit.
- Unless there is very good artificial light, use only during daylight.
- Fill gasoline driven machines outdoors. Avoid spilling gasoline and **DO NOT** fill the engine while it is running or while you are smoking.
- While in operation, keep all parts of body away from intake and exhaust sections. Never insert any body part or other foreign object in any opening while the machine is running.
- When operating unit, keep people and pets a safe distance away. Instruct children to keep away from the area of operation at all times.
- Do not use on steep inclines (over 30 degrees), as unit can roll over.
- Before making any adjustments or repairs, stop engine and remove spark plug wire.

---

**FAILURE TO FOLLOW THESE RULES CAN RESULT IN CHRONIC HEALTH PROBLEMS, SERIOUS INJURY, OR EVEN DEATH.**

---

---

# 2

# UNIT ASSEMBLY

---

## **1. HANDLE ASSEMBLY:**

**Please refer to Parts list for correct part identification and placement**

- Insert Lower handles (Parts List Ref. #14) into Upper handle (#13) until bolt holes are aligned (use middle set of holes in lower handle, then adjust later for most comfortable height). Fasten with two 5/16 x 1-3/4" hex bolts (#15), lockwashers (#4) and nuts (#16). **8,8.5,9,11,12 & 16 HP units only:** Align holes in rear (forked) end of handle brace (#10) with upper set of holes in upper handle and fasten with same hardware as above. Do not tighten these bolts yet. **Note:** 16 HP unit requires use of handle brace extension (#10a). Attach to front of brace with 3/8 x 1" bolt, lockwasher & nut (#10b,11,12).
- Attach lower portion of handle assembly to engine base with four 5/16 x 1-3/4" bolts, lockwashers, and nuts. **8,8.5,9,11,12 & 16 HP units only:** Slide hole in front end of handle brace (brace extension on 16 HP) onto stud in top of blower housing and fasten with 3/8 lockwasher (#11) and nut (#12). Tighten all handle assembly bolts securely.
- Attach Throttle control (#17) to corresponding holes in upper left corner of handle assembly with two #10 x 1-1/4" machine screws, lockwashers and nuts (#18). Note: Be sure to attach throttle control to outside of handle assembly. Secure throttle cable to handle with two throttle cable clips (#18a), placing one just below where handle brace joins with upper handle, the other 4-5" above bend in lower handle. **Note: Be sure to check throttle for smooth operation. If throttle lever binds, or is difficult to operate, adjust cable and clips accordingly.**

## **2. FRONT WHEEL ASSEMBLY:**

- Attach front wheel assembly to unit by placing Front wheel bracket (#31) against front lower corner of unit (next to blower discharge door), making sure mounting holes in both parts are aligned. Fasten with two 5/16 x 3/4" hex bolts (#35) and lockwashers (#4). Leave all bolts finger tight.
- Install Front wheel (#31)\* inside bracket with 5/8 x 5" hex bolt (#32), and fasten with 5/8" hex lock jam nut (#33), tightening just enough to allow wheel to spin freely, but with a minimum amount of play within bracket.  
*\* It is advisable to grease front wheel before installation. This will result in longer bearing life.*
- Check caster wheel for proper camber, adjust as necessary, then tighten bolts securing assembly to unit.

**Assembly of your Giant-Vac Whisper Jet Blower is now complete. Please read carefully the following instructions for safe and effective use of your Whisper Jet.**

---

# 3

## UNIT OPERATION

---

### **1. STARTING THE ENGINE**

*IMPORTANT NOTE: The procedures outlined within this section are general guidelines, and are in no way meant to replace or supercede engine manufacturer's operating instructions. In order to obtain optimum performance from your engine, refer to your engine manual.*

#### **BEFORE STARTING ENGINE:**

- Be sure that the unit is completely assembled, all fasteners are tightened securely, and all safety guards and components are in place.
- Be sure to check engine's **oil** and **gasoline\***. (See engine manual for recommended oil and gasoline specifications.) **Never** check the engine while it is running or while you are smoking. Check only when engine is cold.  
**\* All machines are shipped without oil or gasoline unless otherwise noted.**
- Be sure that fuel valve on engine is set to open position (if applicable).

#### **TO START ENGINE :**

- Set throttle control to "ON" position. If engine is cold, set choke (if so equipped). If your engine has a fuel prime button, depress it firmly three times.
- Grasp recoil handle and pull briskly. You may have to pull several times before engine starts. (If engine fails to start within a reasonable amount of time, discontinue and check engine manual for further instructions.)
- After engine starts, move throttle control down to approximately half, and turn off choke.

#### **TO SHUT ENGINE DOWN :**

- Allow engine to idle for 2-3 minutes before shutting down.
- Set throttle control to 'off' position.
- If engine is not to be started for a prolonged period, turn fuel valve to closed position.

*IMPORTANT NOTE: If you experience problems with your engine that cannot be satisfactorily resolved by following the instructions contained within the engine manual, contact your local engine dealer, or call the toll-free service number listed in the repair section of the engine manual. All engine service, warranty or otherwise, is required to be performed by a manufacturer-authorized service center. Giant-Vac Mfg., Inc. is neither authorized nor responsible for any type of warranty engine service, nor is it equipped to perform any such service.*

---

---

# 3

## UNIT OPERATION (Cont.)

---

### **2. OPERATING THE BLOWER:**

***DANGER! Do not pass by or stand on the air discharge side of any leaf blower with the engine running. High velocity discharge can easily turn harmless debris into flying projectiles.***

#### ***TO BLOW DEBRIS OUT TOWARD FRONT OF UNIT:***

- Open the forward air deflector door, mounted on the front of the discharge end of the blower, by pushing the control lever to the front of the machine. This feature is ideal for such things as blowing debris from a wall or fence. Adjust engine speed to increase or decrease air discharge rate. **NEVER INSERT ANY BODY PART OR OTHER FOREIGN OBJECT IN THE OPENING WHILE THE MACHINE IS RUNNING.**

#### ***TO BLOW DEBRIS OUT TOWARD SIDE OF UNIT:***

- Close the front air deflector door by pulling the control lever back toward the rear of the machine, and adjust the side air deflector, mounted on the discharge end of the blower, by means of the 5/16 x 5/8" hex bolts on either end of the deflector. This will permit you to direct the air at the angle you desire for a specific application. Adjust engine speed to increase or decrease air discharge rate. By changing the deflector angle and the engine speed, you can move debris into a neat row easily and rapidly. **NEVER INSERT ANY BODY PART OR OTHER FOREIGN OBJECT IN THIS OPENING WHILE THE MACHINE IS RUNNING.**

#### ***HINTS FOR EFFECTIVE OPERATION:***

- For operator ease and maneuverability, push down on the upper handle while walking so that the machine balances on the rear wheels.
- When blowing dry debris, set blower discharge to lower rate; when blowing wet or frozen debris, increase discharge rate.

---

## 4 MAINTENANCE AND STORAGE

---

- Follow **implicitly** the engine manufacturer's recommendations for maintenance.
- Never make any adjustments to the Whisper Jet until the engine is **off** and the spark plug wire is disconnected.
- If carburetor adjustment is necessary, stand to one side and **keep feet and hands** in the clear while making adjustments.
- Keep engine free of accumulations of grass, leaves or excessive grease. An accumulation of these combustible materials may result in a fire.
- Store gasoline in a **safe and approved** container in a cool, dry place.
- Keep the Whisper Jet and any fuel containers in locked storage to prevent children from playing and/or tampering with them.
- Do not store gasoline powered equipment or fuel containers in a basement or any closed area where heating or heat appliances or open pilot lights are present, unless the fuel is completely drained from the power equipment and the fuel containers.

---

# **GIANT-VAC WARRANTY**

---

**GIANT-VAC MFG. INCORPORATED**, here-in-after called Giant-Vac, warrants each new Giant-Vac to the original retail purchaser of the new Giant-Vac equipment to be free from manufacturing defects in normal service for a period of 1 year, unless it is used for rental purposes, which limits the warranty to 30 days. This warranty does not apply to engines, tires or other parts that are purchased and warranted by their manufacturer. Items such as bags, grass catchers, hoses and blades are not warranted, as these are considered expendable items. This warranty does not include equipment failures due to normal wear.

Any obligation under this warranty is expressly limited to the replacement or repair, at an authorized servicing Giant-Vac dealer, or at a point designated by us, of such parts as appear to us to have been defective. All defective parts have to be returned freight prepaid before credit will be issued.

We shall not be liable for transportation charges in connection with the replacement or repair of defective parts.

This warranty does not apply to a Giant-Vac upon which repairs or alterations have been made by others except with our prior written approval.

We shall not be liable for consequential damages or contingent liabilities for the fitness of any Giant-Vac for any particular purpose.

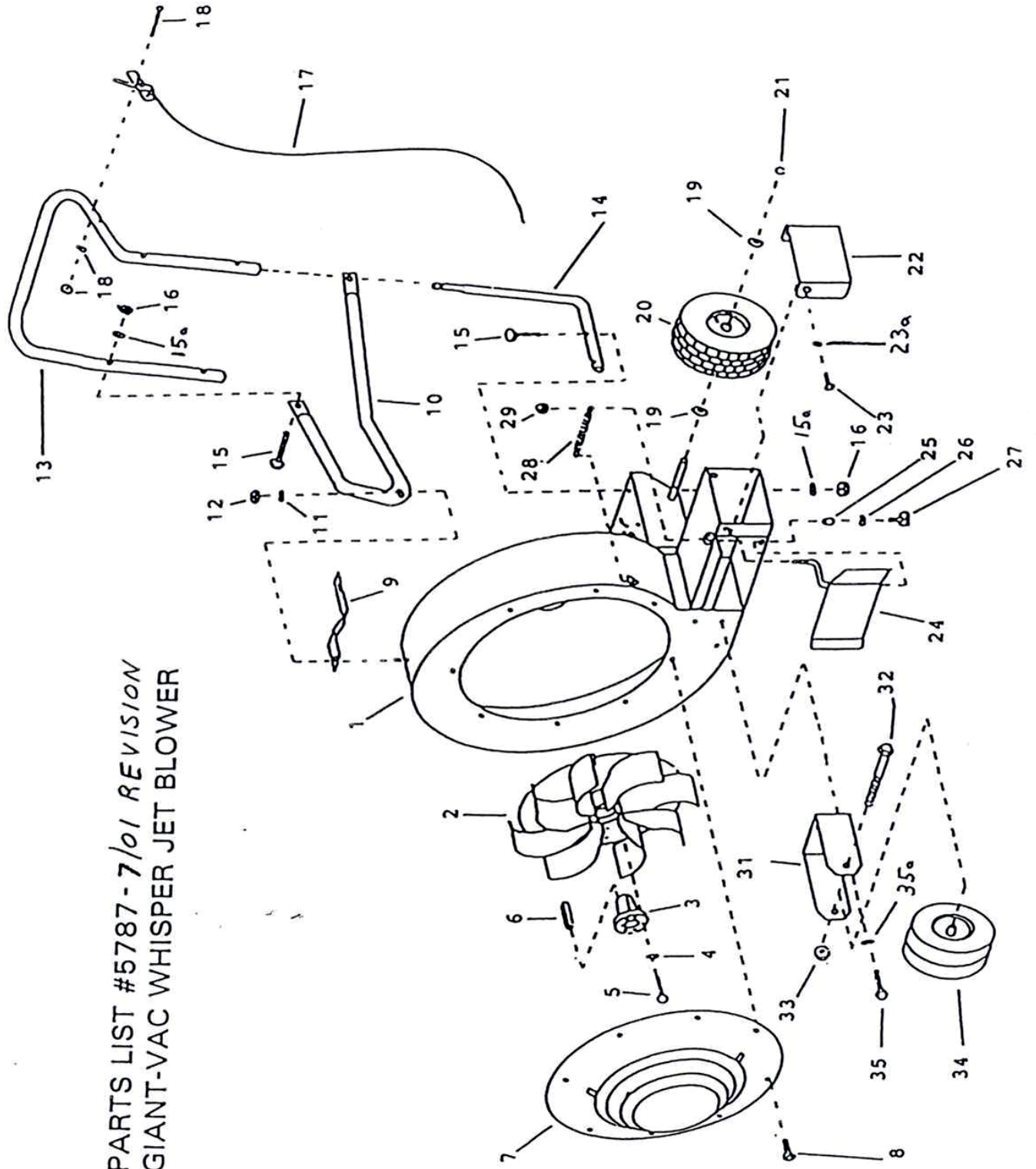
We make no other express, implied or statutory warranty, nor is anyone authorized to make any in our behalf.

---

**GIANT-VAC MFG. INCORPORATED**  
**P.O. BOX 195**  
**SOUTH WINDHAM, CT. 06266**  
**PHONE: 860-423-7741 • FAX: 860-423-2654**

---

PARTS LIST #5787-7/01 REVISION  
 GIANT-VAC WHISPER JET BLOWER





**Parts List No. 5787 – 3/01 Rev.**  
**BLOWER**

**WHISPER JET**

<b><u>Ref No</u></b>	<b><u>Part No</u></b>	<b><u>Description</u></b>	<b><u>55-BWJ</u></b>
1	10164	Blower housing & engine base	1
2	21568	Impeller (complete w/Taper-Lok hub)	1
3	21560	Taper-Lok hub - 1"	1
4	31003	5/16 lockwasher	3
5	31646	5/16 x 1-1/4" hex bolt Gr. 5	3
6	31795	1/4 x 2-1/8" Impeller key	1
7	20211	Intake baffle	1
8	31660	5/16 x 3/4" self threading bolt	8
13	23200	Upper handle – 5HP models	1
13a	31590	Foam handle cover	1
14	23002	Lower handle	2
15	31002	5/16 x 1 3/4" hex bolt	6
15a	31003	5/16 lockwasher	6
16	31004	5/16" nut	6
17	35011	Throttle control	1
17a	31007	Throttle clip	2
18	31010	10-24 x 1-1/4" bolt, lock washer and nut	2
19	31001	5/8" flat washer	4
20	33001	410-350 x 4 pneumatic tire assembly	2
20a	33107	Bearing for pneumatic tire assembly	4
21	31000	Wheel snap ring	2
22	24500	Side air deflector	1
23	31016	5/16 x 5/8" hex bolt	2
23a	31003	5/16 lockwasher	2
24	24501	Forward air deflector	1
25	31014	Bushing	1
26	31013	1/4 lockwasher	1
27	31015	1/4 x 1/2" hex bolt	1
28	24502	Spring	1
29	31103	Control lever knob - 3/8"	1
31	33186	Front wheel bracket	1
32	33116	5/8-11 x 5" hex bolt	1
33	31571	5/8-11 hex lock jam nut	1
34	33115	Front wheel	1
35	31035	3/8 x 5/8" hex bolt	3
35a	31008	3/8 lockwasher	3

**ITEMS NOT SHOWN**

39077	5.5HP B&S Intek engine	1
31006	5/16 x 1-1/2 hex bolt (Motor mount hardware)	4
31003	5/16 lockwasher (Motor mount hardware)	4
31004	5/16 hex nut (Motor mount hardware)	4

**Parts List No. 5787 – 3/01 Rev.**

<b><u>Ref</u></b>	<b><u>No</u></b>	<b><u>Part No</u></b>	<b><u>Description</u></b>	<b><u>80</u></b>	<b><u>85</u></b>	<b><u>85</u></b>	<b><u>90</u></b>
				<b><u>BWJ</u></b>	<b><u>KWJ</u></b>	<b><u>KWJT</u></b>	<b><u>HWJ</u></b>
1	10151		Blower housing & engine base	1	1	1	1
2	21564		Impeller (complete w/Taper-Lok hub)	1	1	1	1
3	21559		Taper-Lok hub - 1-1/8"	1	--	--	--
3	21560		Taper-Lok hub - 1"	--	1	1	1
4	31003		5/16 lockwasher	3	3	3	3
5	31646		5/16 x 1-1/4" hex bolt Gr. 5	3	3	3	3
6	31795		1/4 x 2-1/8" Impeller key	1	1	1	1
7	20206		Intake baffle	1	1	1	1
8	31660		5/16 x 3/4" self threading bolt	8	8	8	8
9	31645		Anti-vibration strap – 8BWJ only	1	--	--	--
10	23004		Handle brace	1	1	1	1
11	31008		3/8" lock washer	1	1	1	1
12	31009		3/8" nut	1	1	1	1
13	23244		Upper handle	1	1	1	1
13a	31590		Foam handle cover	1	1	1	1
14	23002		Lower handle	2	2	2	2
15	31002		5/16 x 1 3/4" hex bolt	8	8	8	8
15a	31003		5/16 lockwasher	8	8	8	8
16	31004		5/16" nut	8	8	8	8
17	35011		Throttle control	1	1	1	1
17a	31007		Throttle clips	2	2	2	2
18	31010		10-24 x 1-1/4" bolt/lockwasher/nut	2	2	2	2
19	31001		5/8" flat washer	4	4	4	4
20	33001		410-350x4 pneumatic tire assembly	2	2	--	2
20	33210		410-350x4 turf tire assembly	--	--	2	--
20a	33107		Bearing for pneumatic tire assembly	4	4	4	4
21	31000		Wheel snap ring	2	2	2	2
22	24609		Side air deflector	1	1	1	1
23	31035		3/8 x 5/8" hex bolt	2	2	2	2
23a	31008		3/8" lock washer	2	2	2	2
24	24610		Forward air deflector	1	1	1	1
25	31014		Bushing	1	1	1	1
26	31013		1/4 lockwasher	1	1	1	1
27	31015		1/4 x 1/2" hex bolt	1	1	1	1
28	31422		Spring	1	1	1	1
29	31103		Control lever knob - 3/8"	1	1	1	1
31	33209		Front wheel bracket	1	1	1	1
32	33116		5/8-11 x 5" hex bolt	1	1	1	1
33	31571		5/8-11 hex lock jam nut	1	1	1	1
34	33115		Front wheel	1	1	1	1
35	31035		3/8 x 5/8" hex bolt	3	3	3	3
35a	31008		3/8" lock washer	3	3	3	3

**Parts List No. 5787 – 3/01 Rev.**

<u>Part No</u>	<u>Description</u>	<u>80</u> <u>BWJ</u>	<u>85</u> <u>KWJ</u>	<u>85</u> <u>KWJT</u>	<u>90</u> <u>HWJ</u>
<u>ITEMS NOT SHOWN</u>					
39066	8HP B&S I/P engine	1	--	--	--
39078	8.5HP Kohler Command engine	--	1	1	--
39061	9HP Honda engine	--	--	--	1
31257	5/16 x 1-3/4 bolt/lockwasher/nut (Motor mount hardware)	4	4	4	4
31796	5/16-24 x 1-1/4" hex bolt (Vibration suppression bolt)	--	4	4	--
31812	5/16-24 x 1-3/4" hex bolt (Vibration suppression bolt)	--	--	--	4
31027	Vibration bolt flatwasher	--	4	4	4
31813	1/2" housing/engine spacer	--	4	4	--
31814	3/4" housing/engine spacer	--	--	--	4

**Parts List No. 5787 – 3/01 Rev.**

<b><u>Ref</u></b>	<b><u>Part No</u></b>	<b><u>Description</u></b>	<b><u>10</u></b>	<b><u>11</u></b>	<b><u>12</u></b>	<b><u>16</u></b>
<b><u>No</u></b>			<b><u>BWJ</u></b>	<b><u>BWJ</u></b>	<b><u>KWJ</u></b>	<b><u>BWJ</u></b>
1	10151	Blower housing & engine base	--	1	1	1
1	10232	Blower housing & engine base	1	--	--	--
2	21564	Impeller (complete w/Taper-Lok hub)	1	1	1	1
3	21559	Taper-Lok hub - 1-1/8"	1	1	--	1
3	21560	Taper-Lok hub - 1"	--	--	1	--
4	31003	5/16 lockwasher	3	3	3	3
5	31646	5/16 x 1-1/4" hex bolt Gr. 5	3	3	3	3
6	31795	1/4 x 2-1/8" Impeller key	1	1	1	1
7	20206	Intake baffle	1	1	1	1
8	31660	5/16 x 3/4" self threading bolt	8	8	8	8
10	23004	Handle brace	--	1	1	1
10a	23245	Brace extension – 16BWJ only	--	--	--	1
10b	31033	3/8 x 1 hex bolt	--	--	--	1
11	31008	3/8" lock washer	--	1	1	2
12	31009	3/8" nut	--	1	1	2
13	23244	Upper handle	1	1	1	1
13a	31590	Foam handle cover	1	1	1	1
14	23002	Lower handle	2	2	2	2
15	31002	5/16 x 1 3/4" hex bolt	6	8	8	8
15a	31003	5/16 lockwasher	6	8	8	8
16	31004	5/16" nut	6	8	8	8
17	35011	Throttle control	1	1	1	1
17a	31007	Throttle clips	2	2	2	2
18	31010	10-24 x 1-1/4" bolt/lockwasher/nut	2	2	2	2
19	31001	5/8" flat washer	4	4	4	4
20	33001	410-350x4 pneumatic tire assembly	2	2	2	2
20a	33107	Bearing for pneumatic tire assembly	4	4	4	4
21	31000	Wheel snap ring	2	2	2	2
22	24609	Side air deflector	1	1	1	1
23	31035	3/8 x 5/8" hex bolt	2	2	2	2
23a	31008	3/8" lock washer	2	2	2	2
24	24610	Forward air deflector	1	1	1	1
25	31014	Bushing	1	1	1	1
26	31013	1/4 lockwasher	1	1	1	1
27	31015	1/4 x 1/2" hex bolt	1	1	1	1
28	31422	Spring	1	1	1	1
29	31103	Control lever knob - 3/8"	1	1	1	1
31	33209	Front wheel bracket	1	1	1	1
32	33116	5/8-11 x 5" hex bolt	1	1	1	1
33	31571	5/8-11 hex lock jam nut	1	1	1	1
34	33115	Front wheel	1	1	1	1
35	31035	3/8 x 5/8" hex bolt	3	3	3	3
35a	31008	3/8" lock washer	3	3	3	3

Parts List No. 5787 – 3/01 Rev.

<u>Part No</u>	<u>Description</u>	<u>10</u> <u>BWJ</u>	<u>11</u> <u>BWJ</u>	<u>12</u> <u>KWJ</u>	<u>16</u> <u>BWJ</u>
<u>ITEMS NOT SHOWN</u>					
39092	10HP B&S Intek engine	1	--	--	--
39067	11HP B&S I/P engine	--	1	--	--
39088	12HP Kohler engine	--	--	1	--
39080	16HP B&S engine	--	--	--	1
31006	5/16 x 1-1/2 hex bolt (Motor mount hardware)	4	--	--	--
31027	5/16 flatwasher (Motor mount hardware)	1	--	--	--
31003	5/16 lockwasher (Motor mount hardware)	4	--	--	--
31004	5/16 hex nut (Motor mount hardware)	4	--	--	--
31257	5/16 x 1-3/4 bolt/lockwasher/nut (Motor mount hardware)	--	4	4	4
31811	5/16-24 x 1" hex bolt (Vibration suppression bolt)	4	4	--	4
31796	5/16-24 x 1-1/4" hex bolt (Vibration suppression bolt)	--	--	4	--
31812	5/16-24 x 1-3/4" hex bolt (Vibration suppression bolt)	4	--	--	--
31027	Vibration bolt flatwasher	4	4	4	4
31813	1/2" housing/engine spacer	--	--	4	--
31814	3/4" housing/engine spacer	4	--	--	--