

**INSTRUCTIONS FOR ASSEMBLING AND OPERATING YOUR GIANT-VAC  
MODELS 50-B-P -- 50-B-P-IC -- 80-B-P -- 80-B-P-IC -- 80-K-P -- 90-VG-P -- 11-B-P-IC**

Thank you for purchasing this Giant-Blo. This is a good, rugged machine that will give you many hours of use when cared for properly. The following instructions will assist you in assembling and maintaining your new Giant-Blo.

As you unpack your Giant-Blo power unit, you will find the following parts:

- 1 - Power unit with motor, impeller and wheels mounted
- 1 - Set of handles in three parts
- 1 - Handle brace
- 1 - Package of hardware

Inspect parts for any damage that may have occurred in shipping. If you find any, save the packing box and contact the transport carrier who delivered your machine. They are responsible for the damage and are the only ones to make any adjustments. Before leaving our plant, all dimensions are held to close tolerances. Therefore, you will have little difficulty in assembling your Giant-Blo if you follow these steps.

**CALIFORNIA PROPOSITION 65 WARNING**

Gasoline and Diesel engine exhaust and some of its constituents are known to the State of California to cause cancer, birth defects, and other reproductive harm.

As an owner of off-road gasoline or diesel engine equipment and/or as an employer, you also may have an obligation under the California Occupational Safety and Health Act or under Proposition 65 to warn persons exposed to gas and diesel engine exhaust and /or other Proposition 65 chemicals in and around your workplace. See California Health and Safety Code section 25249.5, Title 22 of the California Code of Regulations at section 1200, *et seq.*, and Title 8, of the California Code of Regulations section 5194.

**ASSEMBLY INSTRUCTIONS**

**HANDLE AND THROTTLE CONNECTIONS:** The handles come in three parts and have a telescopic fit. Assemble the handles and handle brace completely before fastening to the blower as a unit. When assembling the handles, it is important that you **DO NOT TIGHTEN ANY OF THE BOLTS** until the assembly operations are complete. With the bolts loose, there will be enough movement to permit fast and easy assembly. Proceed as follows:

- Insert the two lower handles into the upper handle until the bolt holes are in line.
- Fasten the handle brace to the handles with the two 5/16 x 1 3/4" hex bolts, lock washers and nuts.

**DO NOT TIGHTEN THESE BOLTS YET.**

- The handle assembly is now ready to attach to the blower.
- Install the handle brace to the stud on the blower housing with a 3/8" lock washer and nut. **NOTE:** The 80-K does not have the stud and anti-vibration bracket on the housing.
- Attach the brace by placing a 5/16 x 1" hex bolt and lock washer through the center hole of the brace and into the housing. **DO NOT TIGHTEN THIS NUT OR BOLT YET.**
- Fasten the lower handles to the base with four 5/16 x 1 3/4" hex bolts, lock washers and nuts.
- After attaching the assembled handles to the machine, tighten all the bolts.
- Take the throttle cable and run it along the left side of the handle about 1/3 its length.
- Secure it with a clip about two inches below the brace.
- Secure the throttle lever to the handle by means of two 10-24 x 1 1/2" bolts, lock washers and nuts.
- Put the second clip just below the curve in the upper handle.
- Make sure you have left a generous loop between the engine and the bottom clip. **THIS IS IMPORTANT** to prevent the throttle binding.
- After starting your engine, adjust the length of cable by loosening the screw at the throttle lever for proper engine operation. **NOTE:** 90-VG-P does not have a throttle cable; use the levers on the engine.

**FRONT Baffle PLATE:** The front baffle plate is attached to the front of the blower with four 5/16 x 5/8" hex bolts and lock washers. It is important that the baffle plate be mounted whenever the machine is running in order to shield the high speed impeller. Remember to treat all high speed moving parts with care. **WE HAVE INSTALLED SAFEGUARDS. BE SURE TO USE THEM. NEVER INSERT ANY BODY PART OR OTHER FOREIGN OBJECT IN THE OPENING WHEN THE MACHINE IS RUNNING.**

**FORWARD AIR DEFLECTOR:** The forward air deflector, mounted on the front of the discharge end of the blower, operates by a control lever and knob. To operate, push the control lever to the front of the machine; this will put the deflector in an open position, allowing the air to pass through. This is ideal for such things as blowing debris from a wall. **NEVER INSERT ANY BODY PART OR OTHER FOREIGN OBJECT IN THE OPENING WHILE THE MACHINE IS RUNNING.**

**SIDE DISCHARGE AIR DEFLECTOR:** Mounted on the discharge end of the blower is the side air deflector. It is easily adjusted by two 5/16 x 5/8" hex bolts which permit you to direct the exhaust at the angle you desire for a specific application. Changing the speed of the engine changes the force of the exhaust. By changing the deflector angle and the engine speed, you can move litter into a neat row at a very rapid rate. **NEVER INSERT ANY BODY PART OR OTHER FOREIGN OBJECT IN THIS OPENING WHILE THE MACHINE IS RUNNING.**

### **OPTIONAL ATTACHMENTS**

**ATTACHMENTS:** Your Giant-Blo is extremely versatile; therefore, many attachments are available. These are easily interchangeable and fasten to your machine as follows. All attachments which are fastened to the front of the machine (in place of the front baffle plate) are secured by the four 5/16" x 5/8" hex bolts and lock washers. The discharge attachment mounts on the discharge end of the blower, in place of the discharge deflector plate, utilizing the same hardware.

**HOSE ATTACHMENTS:** Many hose attachments are available for various operations. The hose kits are ideal for cleaning leaves from hedges, chimneys and stair wells, as well as, other applications.

- When mounting a hose kit, fasten the hose to the intake flange.
- Slip the hose over the connector on the flange and fasten it securely with a hose clamp.
- Put the nozzle into the hose and secure with a hose clamp.
- Mount the flange to the front of the housing in the same manner as the foregoing.

### **SAFETY AND OPERATING INSTRUCTIONS**

**MOTOR INSTRUCTIONS:** You have received a complete engine manual with your machine. Be sure to especially note the instructions on **OILING**. ALL MACHINES ARE SHIPPED WITHOUT OIL OR GASOLINE UNLESS OTHERWISE NOTED. If you have any difficulties with the engine, check the Yellow Pages of your phone book for the engine dealer nearest you, rather than us, as the engines are under their own manufacturer's warranty.

### **TRAINING:**

1. Regard your Giant-Blo as a piece of power equipment and teach this regard to all who will operate this unit.
2. Never allow children or young teenagers to operate the Giant-Blo.
3. Be sure you know how to stop the engine at a **MOMENT'S NOTICE**.
4. Instruct children to keep away from the area of operation at all times.

### **PREPARATION:**

1. Before starting operation, clear the entire work area of all debris that could catch on or be thrown by the Giant-Blo.
2. Unless there is very good artificial light, use **only** during daylight.
3. Fill gasoline driven machines outdoors. Avoid spilling gasoline and **DO NOT** fill the engine while it is running or while you are smoking.

### **OPERATION:**

1. **NEVER INSERT ANY BODY PART OR OTHER FOREIGN OBJECT IN ANY OPENING WHILE THE MACHINE IS RUNNING.**
2. Do not operate with any guards or component parts removed from unit.
3. Before making any adjustments or repairs, **stop engine** and remove spark plug wire.

4. While in operation, keep **all** parts of body away from intake and exhaust sections.
5. When operating machine, keep people and pets a safe distance away.
6. Before starting, be certain to check the engine's **OIL AND GASOLINE**. (See engine manufacturer's Service Manual.) **NEVER** check the engine while it is running or while you are smoking. Check **ONLY** when engine is cold.
7. Before starting the engine, be certain to **completely** assemble the unit. With your right hand, set the throttle control to the "on" position. When the engine is cold, you might have to initially choke the engine. (The choke lever is next to the carburetor.) Next, with your left hand, pull the recoil starter rope slowly until you feel compression, then pull fast and steady. Do **not** let the recoil starter rope snap back by itself. This may damage the rope or recoil starter assembly. After the engine starts, move the throttle lever down to approximately halfway.
8. For operator ease and maneuverability, push down on the upper handle while walking so that the machine balances on the rear wheels. Adjusting the throttle controls the amount of air discharge velocity.
9. Do **not** pass or stand on the air discharge side of any leaf blower with the engine running. Stop operation when another person approaches.

#### MAINTENANCE AND STORAGE:

1. Follow **implicitly** the engine manufacturer's recommendations for maintenance.
2. Never adjust the Giant-Blo or change any attachments until the engine is **off** and the spark plug wire disconnected.
3. If carburetor adjustment is necessary, stand to one side and **keep feet and hands in the clear** while making adjustments.
4. Keep engine free of accumulations of grass, leaves or excessive grease. An accumulation of these combustible materials may result in a fire.
5. Store gasoline in a **safe and approved container in a cool dry place**.
6. Keep the Giant-Blo and fuel container in locked storage to prevent children from playing and/or tampering with them.
7. Do not store gasoline-powered equipment or fuel containers in a basement or any **closed area** where heating or heat appliances or open pilot lights are present, unless the fuel is **completely drained** from the power equipment and the fuel containers.

## GIANT-VAC WARRANTY

GIANT-VAC MFG. INCORPORATED, here-in-after called Giant-Vac, warrants each new Giant-Vac to the original, retail purchaser of the new Giant-Vac equipment, to be free from manufacturing defects in normal service for a period of 90 days; unless it is used for rental purposes, which limits the warranty to 30 days. This warranty does not apply to engines, tires or other parts that are purchased and warranted by their manufacturer. Items such as bags, grass catchers, hoses and blades are not warranted, as these are considered expendable items. This warranty does not include equipment failures due to normal wear.

Any obligation under this warranty is expressly limited to the replacement or repair, at an authorized servicing Giant-Vac dealer, or at a point designated by us, of such parts as appear to us to have been defective. All defective parts have to be returned freight prepaid before credit will be issued.

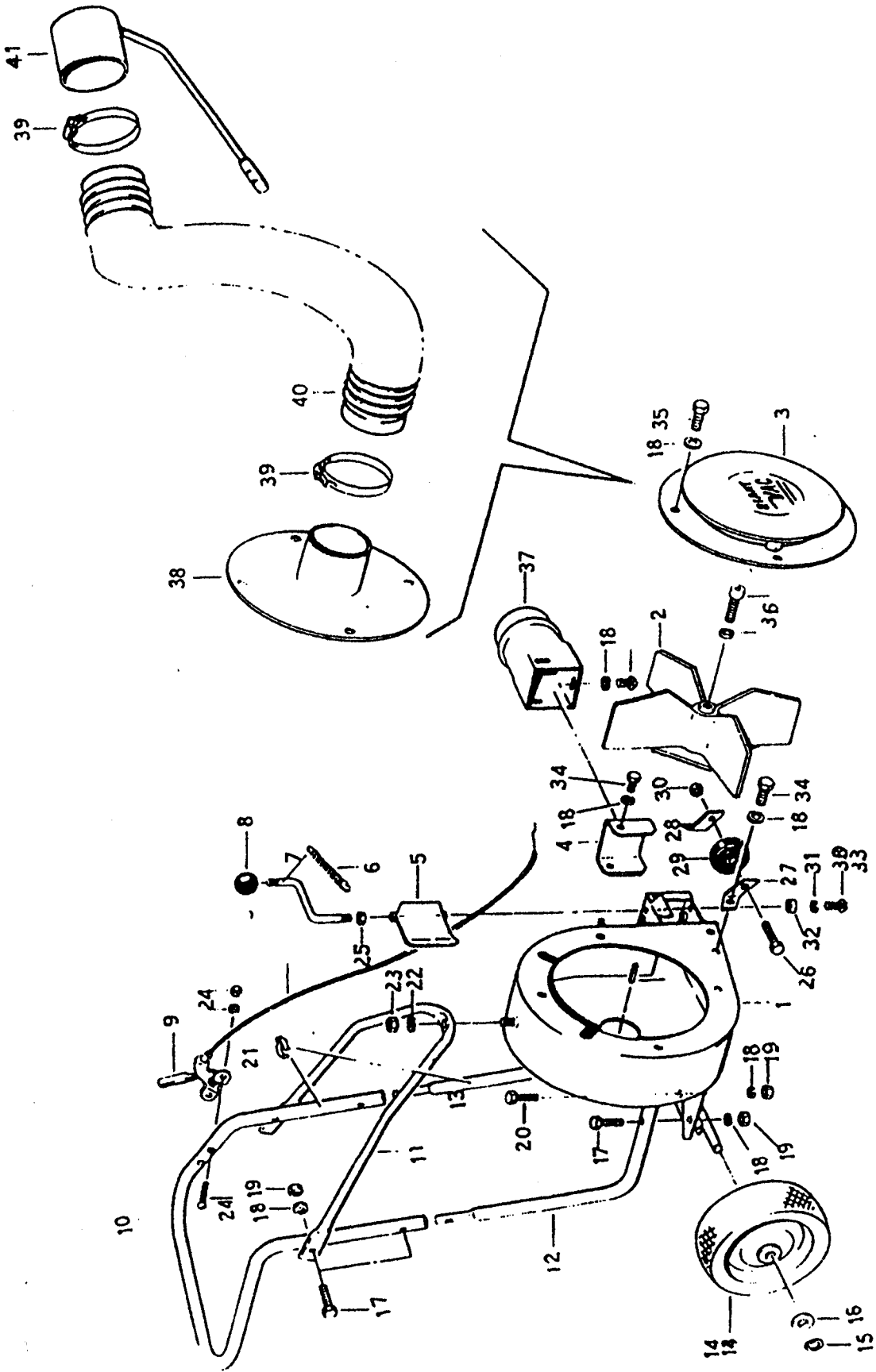
We shall not be liable for transportation charges in connection with the replacement or repair of defective parts.

This warranty does not apply to a Giant-Vac upon which repairs or alterations have been made by others except with our prior written approval.

We shall not be liable for consequential damages or contingent liabilities for the fitness of any Giant-Vac for any particular purpose.

We make no other express, implied or statutory warranty, nor is anyone authorized to make any in our behalf.

GIANT-VAC MFG. INCORPORATED  
P.O. BOX 195  
SOUTH WINDHAM, CT. 06266  
PHONE: 860-423-7741  
FAX: 860-423-2654



50-B - 50-B-P - 50-B-P-IC  
 80-B - 80-B-P - 80-B-P-IC  
 90-KGP - 80-K-P  
 11-B-P - 11-B-P-IC

PARTS LIST NO. 5700

REF. NO.	PART NO.	DESCRIPTION	50-B-P	50-B-P-IC
1	10089	Blower housing & engine base	1	1
2	21501	Impeller - 1" shaft	1	1
3	20101	Front baffle plate	1	1
4	24500	Side air deflector	1	1
5	24501	Forward air deflector	1	1
6	24502	Spring for control lever	1	1
8	31103	Control lever knob - 3/8"	1	1
9	35001	Throttle control	1	1
10	23000	Upper handle	1	1
10-A	31590	Foam handle cover	1	1
11	23003	Handle brace	1	1
12	23002	Lower handle	1	1
13	23002	Lower handle	1	1
14	33001	410.350 x 4 pneumatic tire assembly	2	2
14-A	33107	Bearing for pneumatic tire assembly	2	2
15	31000	Wheel snap ring	2	2
16	31001	5/8" flat washer	2	2
17	31002	5/16 x 1 3/4" hex bolt	6	6
18	31003	5/16" lock washer	21	21
19	31004	5/16" nut	10	10
20	31002	5/16" x 1 3/4" hex bolts	4	4
21	31007	Throttle clips	2	2
22	31008	3/8" lock washer	1	1
23	31009	3/8" nut	1	1
24	31010	10-24 x 1 1/2" bolt, lock washer and nut	2	2
26	31357	3/8 x 2 1/2" bolt**	1	1
27	33101	Right side rub plate**	1	1
28	33102	Left side rub plate**	1	1
29	33017	6"x 1.50 caster wheel**	1	1
29	**33003	6" caster wheel assembly	1	1
30	31355	3/8" lock nut	1	1
31	31013	1/4" lock washer	1	1
32	31014	Bushing	1	1
33	31015	1/4 x 1/2" hex bolt	1	1
34	31016	5/16 x 5/8" bolt	8	8
36	31019	3/8-24 x 2" impeller bolt & key	1	1
37	24503	#45 exhaust connector	1	1
38	20106	Intake flange 4"	1	1
38	20107	Intake flange 5"	1	1
38	20108	Intake flange 6"	1	1

<u>REF. NO.</u>	<u>PART NO.</u>	<u>DESCRIPTION</u>	<u>50-B-P</u>	<u>50-B-P-IC</u>
39	34011	Hose clamp 4"	2	2
39	34012	Hose clamp 5"	2	2
39	34013	Hose clamp 6"	2	2
40	34002	Intake hose 4" x 10'	1	1
40	34003	Intake hose 5" x 10'	1	1
40	34004	Intake hose 6" x 10'	1	1
40	34006	Intake hose 8" x 10'	1	1
41	20145	Intake nozzle 4"	1	1
41	20146	Intake nozzle 5"	1	1
41	20147	Intake nozzle 6"	1	1

**ITEMS NOT SHOWN**

39001	5 H.P. B&S engine	1	
39034	5 H.P. B&S I/C engine		1

**ALL SPECIFICATIONS SUBJECT TO CHANGE WITHOUT NOTICE**



PARTS LIST NO. 5700

<u>REF. NO.</u>	<u>PART NO.</u>	<u>DESCRIPTION</u>	<u>80-B-P</u>	<u>80-B-P-IC</u>	<u>80-K-P</u>
1	10090	Blower housing & engine base	1	1	
1	10091	Blower housing & engine base			1
2	21503	Impeller	1	1	1
3	20101	Front baffle plate	1	1	1
4	24500	Forward air deflector with lever	1	1	1
5	24501	Side air deflector	1	1	1
6	24502	Spring for control lever	1	1	1
8	31103	Control knob 3/8"	1	1	1
9	35001	Throttle control	1	1	1
10	23000	Upper handle	1	1	1
10-A	31590	Foam handle cover	1	1	1
11	23003	Handle brace	1	1	1
12	23002	Lower handle - right	1	1	1
13	23002	Lower handle - left	1	1	1
14	33001	4.10 x 350-4 pneumatic tire assembly	2	2	2
14-A	33107	Bearing for pneumatic tire assembly	2	2	2
15	31000	5/8" snap ring	2	2	2
16	31001	5/8" flat washer	2	2	2
17	31002	5/16 x 1-3/4" hex bolts	6	6	6
18	31003	5/16" lock washer	21	21	21
19	31004	5/16" nut	10	10	10
20	31002	5/16 x 1-3/4" hex bolts	4	4	4
21	31007	Throttle clips	2	2	2
22	31008	3/8" lock washer	1	1	1
23	31009	3/8" nut	1	1	1
24	31010	10-24 x 1-1/2" bolt, lock washer & nut	2	2	2
26	31467	1/2 x 3-1/2" hex bolt**	1	1	1
27	33159	Caster bracket - right**	1	1	1
28	33157	Caster bracket - left**	1	1	1
29	33156	6" x 2" caster wheel**	1	1	1
29	**33155	Complete caster assembly	1	1	1
30	31406	1/2" lock nut**	1	1	1
31	31013	1/4" lock washer	1	1	1
32	31014	Bushing	1	1	1
33	31015	1/4 x 1/2" cap screw	1	1	1
34	31016	5/16 x 5/8 hex bolt	8	8	8
36	31020	7/16-20 x 2" impeller bolt & key	1	1	1
37	24503	#45 exhaust adapter	1	1	1
38	20106	Intake flange 4"	1	1	1
38	20107	Intake flange 5"	1	1	1

**PARTS LIST 5700**

REF. NO.	PART NO.	DESCRIPTION	80-B-P	80-B-P-IC	80-K-P
38	20108	Intake flange 6"	1		1
39	34011	Hose clamps 4"	2		2
39	34012	Hose clamps 5"	2		2
39	34013	Hose clamps 6"	2		2
40	34002	Intake hose 4" x 10'	1		1
40	34003	Intake hose 5" x 10'	1		1
40	34004	Intake hose 6" x 10'	1		1
41	20145	Intake nozzle 4"	1		1
41	20146	Intake nozzle 5"	1		1
42	20147	Intake nozzle 6"	1		1

**ITEMS NOT SHOWN**

31591	Anti-vibration bracket	1		1
33158	Axle bushing	1		1
33160	Caster wheel seal	2		2
33161	Caster bearing	1		1
39002	8 H.P. B&S engine	1		
39035	8 H.P. B&S engine	1		
39007	8 H.P. Kohler engine			1

**ALL SPECIFICATIONS SUBJECT TO CHANGE WITHOUT NOTICE.**

PARTS LIST NO. 5700

<u>REF. NO.</u>	<u>PART NO.</u>	<u>DESCRIPTION</u>	<u>90-VG-P</u>	<u>11-B-P-IC</u>
1	10078	Blower housing & engine base	1	1
2	21551	Impeller - 1" shaft	1	
2	21539	Impeller - 1-1/8" shaft		1
3	20180	Front baffle plate	1	1
4	24500	Side air deflector	1	1
5	24501	Forward air deflector	1	1
6	24502	Spring for control lever	1	1
8	31103	Control lever knob - 3/8"	1	1
9	35002	Throttle control	1	1
10	23000	Upper handle	1	1
10-A	31590	Foam handle cover	1	1
11	23004	Handle brace	1	1
12	23002	Lower handle	1	1
13	23002	Lower handle	1	1
14	33001	410.350 x 4 pneumatic tire assembly	2	2
14-A	33107	Bearing for pneumatic tire assembly	2	2
15	31000	Wheel snap ring	2	2
16	31001	5/8" flat washer	2	2
17	31002	5/16 x 1-3/4" hex bolt	6	6
18	31003	5/16" lock washer	21	21
19	31004	5/16" nut	10	10
20	31002	5/16 x 1-3/4" hex bolts	4	4
21	31007	Throttle clips	2	2
22	31008	3/8" lock washer	1	1
23	31009	3/8" nut	1	1
24	31010	10-24 x 1-1/2" bolt, lock washer and nut	2	2
26	31467	1/2 x 3-1/2" bolt**	1	1
27	33159	Caster bracket - right**	1	1
28	33157	Caster bracket - left**	1	1
29	33156	6"x 2" caster wheel**	1	1
29	**33155	Complete caster assembly	1	1
30	31406	1/2" lock nut**	1	1
31	31013	1/4" lock washer	1	1
32	31014	Bushing	1	1
33	31015	1/4 x 1/2" hex bolt	1	1
34	31016	5/16 x 5/8" bolt	8	8
36	31020	7/16-20 x 2" impeller bolt & key	1	1
37	24503	#45 exhaust connector	1	1
38	20183	Intake flange 6"	1	1

REF. NO.	PART NO.	DESCRIPTION	90-VG-P	11-B-P-IC
39	34013	Hose clamp 6"	2	2
40	34004	Intake hose 6"	1	1
41	20147	Intake nozzle 6"	1	1

**ITEMS NOT SHOWN**

31591	Anti-vibration bracket	1	1
33158	Axle bushing	1	1
33160	Caster wheel seal	2	2
33161	Caster bearing	1	1
39049	9 H.P. B&S VG engine	1	
39037	11 H.P. B&S IC engine		1

ALL SPECIFICATIONS SUBJECT TO CHANGE WITHOUT NOTICE