
THE GIANT-VAC

GIANT-BLO JR.

MODEL 52

OPERATOR'S MANUAL

Congratulations!

You have just purchased one of the finest pieces of outdoor power equipment on the market today. If properly cared for, your Giant-Vac Giant-Blo Jr. will provide years of dependable service. Please read and follow this instruction manual carefully in order to get the most out of your new equipment.

As you unpack your Giant-Blo Jr., you will find the following parts:

- 1 - Giant-Blo Jr. power unit
- 1 - Handle assembly in three parts
- 1 - Bag containing front caster wheel assembly
- 1 - Package of hardware
- 1 - Package containing operating manuals and warranty registration

Your Giant-Blo Jr. requires very little assembly. Simply follow the instructions contained within this manual to begin enjoying the benefits of your new unit.

Each Giant-Vac product leaves our factory in excellent condition; occasionally, however, some damage may occur during shipment. If any such damage is found upon initial inspection, *immediately* notify the transport carrier who delivered your machine, as they are solely responsible for such damage, as well as any subsequent adjustments necessary.

CALIFORNIA PROPOSITION 65 WARNING

Gasoline and Diesel engine exhaust and some of its constituents are known to the State of California to cause cancer, birth defects and other reproductive harm.

As an owner of off-road gasoline or diesel engine equipment and/or as an employer, you also may have an obligation under the California Occupational Safety and Health Act or under Proposition 65 to warn persons exposed to gas and diesel engine exhaust and/or other Proposition 65 chemicals in and around your workplace. See California Health and Safety Code section 25249.5, Title 22 of the California Code of Regulations at Section 1200 *et seq.*, and Title 8 of the California Code of Regulations Section 5194.

1

SAFETY RULES REGARDING OUTDOOR POWER EQUIPMENT

IMPORTANT! READ THE FOLLOWING SAFETY RULES ***CAREFULLY***
BEFORE ASSEMBLING OR OPERATING UNIT:

- Regard your Giant-Vac Leaf Blower as a piece of power equipment and teach this regard to all who will operate this unit. Never allow children or young teenagers to operate the unit.
- Always wear appropriate safety equipment when operating this unit. Proper eye, ear, and breathing protection is a must.
- Be sure you know how to stop both the unit and the engine at a **MOMENT'S NOTICE**. Refer to the operation section of this manual, as well as the engine manual.
- Do not operate with any guards or component parts removed from unit.
- Unless there is very good artificial light, use only during daylight.
- Fill gasoline driven machines outdoors. Avoid spilling gasoline and **DO NOT** fill the engine while it is running or while you are smoking.
- While in operation, keep all parts of body away from intake and exhaust sections. Never insert any body part or other foreign object in any opening while the machine is running.
- When operating unit, keep people and pets a safe distance away. Instruct children to keep away from the area of operation at all times.
- Do not use on steep inclines (over 30 degrees), as unit can roll over.
- Before making any adjustments or repairs, stop engine and remove spark plug wire.

FAILURE TO FOLLOW THESE RULES CAN RESULT IN CHRONIC HEALTH PROBLEMS, SERIOUS INJURY, OR EVEN DEATH.

2

UNIT ASSEMBLY

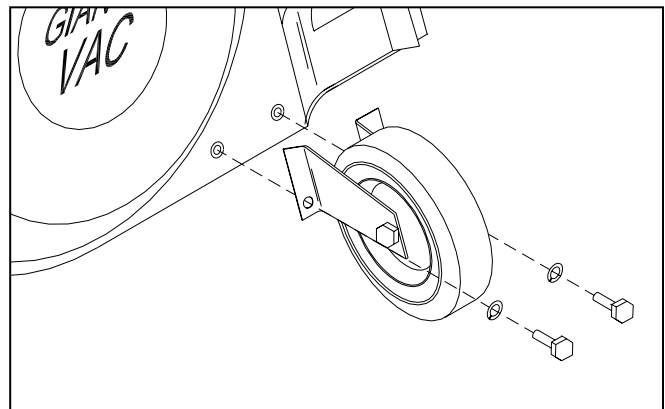
HANDLE ASSEMBLY:

Please refer to Parts list for correct part identification and placement. Please note that serrated flange nuts may be used in place of split lock washers and hex nuts in some assembly steps.

- Insert Lower handles (Parts List Ref. #28) into Upper handle (#26) until bolt holes are aligned. Insert one 5/16-18 x 1-1/2" hex bolt (#29) into each of the holes on either side, securing with split lock washers and hex nuts (#30, 31 – may be serrated flange nuts). **Note:** Do not tighten these bolts yet.
- Attach lower portion of handle assembly to engine base by aligning holes in lower handles with corresponding holes in engine base. Fasten with four 5/16-18 x 1-1/2" bolts and secure with split lock washers and nuts (or serrated flange nuts). Tighten all handle assembly bolts securely.

FRONT CASTER WHEEL ASSEMBLY:

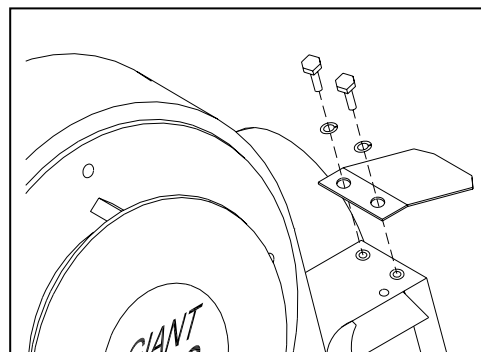
- Attach front caster wheel assembly (#19-23) to unit by butting outward bends in mounting brackets of assembly against front lower corner of unit (next to blower discharge door), making sure mounting holes in both parts are aligned. **Note: Angled edge of mounting brackets should be upwards, with holes toward bottom.** Fasten with two 5/16-18 x 5/8" hex bolts (#24) and split lock washers (#25). Leave all bolts finger tight.



- Check caster wheel for proper vertical alignment, adjust as necessary, then tighten bolts securing assembly to unit.

SIDE AIR DEFLECTOR:

- Attach side air deflector (#7) to top of discharge chute by aligning holes in deflector with corresponding holes in top of chute snout. Fasten with two 5/16-18 x 5/8 hex bolts (#8) and split lock washers (#9). **Note: Deflector should be angled downward.**



Assembly of your Giant-Blo Jr. is now complete.

3

UNIT OPERATION

STARTING THE ENGINE

IMPORTANT NOTE: The procedures outlined within this section are general guidelines, and are in no way meant to replace or supercede engine manufacturer's operating instructions. In order to obtain optimum performance from your engine, refer to your engine manual.

BEFORE STARTING ENGINE:

- Be sure that the unit is completely assembled, all fasteners are tightened securely, and all safety guards and components are in place.
- Be sure to check engine's **oil** and **gasoline***. (See engine manual for recommended oil and gasoline specifications.) **Never** check the engine while it is running or while you are smoking. Check only when engine is cold.

*** All machines are shipped without oil or gasoline unless otherwise noted.**

TO START ENGINE :

- Set throttle control up to full position. Depress fuel prime button firmly three times. (Fuel prime button is located on side of engine, below muffler)
- Bracing blower with left hand, grasp recoil handle and pull briskly with right. (You may have to pull several times before engine starts. If engine fails to start within a reasonable number of attempts, discontinue and check engine manual for further instructions.)
- After engine starts, move throttle control down to half.

CAUTION! Blower impeller is mounted directly to engine shaft; starting engine will immediately result in high velocity air discharge. Be sure discharge chute is directed away from people, animals and objects when starting engine.

TO SHUT ENGINE DOWN :

- Allow engine to idle for 2-3 minutes before shutting down.
- Set throttle control down to 'stop' position.

IMPORTANT NOTE: *If you experience problems with your engine that cannot be satisfactorily resolved by following the instructions contained within the engine manual, contact your local engine dealer, or call the toll-free service number listed in the repair section of the engine manual. All engine service, warranty or otherwise, is required to be performed by a manufacturer-authorized service center. Giant-Vac Mfg., Inc. is neither authorized nor responsible for any type of warranty engine service, nor is it equipped to perform any such service.*

3

UNIT OPERATION (Cont.)

OPERATING THE BLOWER:

DANGER! Do not pass by or stand on the air discharge side of any leaf blower with the engine running. High velocity discharge can easily turn harmless debris into dangerous flying projectiles, causing severe injury.

TO BLOW DEBRIS OUT TOWARD FRONT OF UNIT:

- Open the forward air deflector door, mounted on the front of the discharge end of the blower, by pushing the control lever toward the front of the machine. This feature is ideal for such things as blowing debris from a wall or fence. Adjust engine speed to increase or decrease air discharge rate. **NEVER INSERT ANY BODY PART OR OTHER FOREIGN OBJECT IN ANY OPENING WHILE THE MACHINE IS RUNNING.**

TO BLOW DEBRIS OUT TOWARD SIDE OF UNIT:

- Close the front air deflector door by pulling the control lever back toward the rear of the machine. This will direct air out through the side discharge opening. Adjust engine speed to increase or decrease air discharge rate. **NEVER INSERT ANY BODY PART OR OTHER FOREIGN OBJECT IN ANY OPENING WHILE THE MACHINE IS RUNNING.**

HINTS FOR EFFECTIVE OPERATION:

- For operator ease and maneuverability, push down on the upper handle while walking so that the machine balances on the rear wheels. This will be especially useful when turning corners.
- When blowing dry debris, set blower discharge to lower rate; when blowing wet or frozen debris, increase discharge rate.
- Practice makes perfect. Allow yourself time to become familiar with your machine. In very little time you will become quite proficient at debris removal with your Giant-Blo Jr.

4 UNIT MAINTENANCE & STORAGE

- Follow **implicitly** the engine manufacturer's recommendations for maintenance.
- Never make any adjustments to the unit until the engine is **off** and the spark plug wire is disconnected.
- If carburetor adjustment is necessary, stand to one side and **keep feet and hands** in the clear while making adjustments.
- Keep engine free of accumulations of grass, leaves or excessive grease. An accumulation of these combustible materials may result in a fire.
- Store gasoline in a **safe and approved** container in a cool, dry place.
- Keep the unit and any fuel containers in locked storage to prevent children from playing and/or tampering with them.
- Do not store gasoline powered equipment or fuel containers in a basement or any closed area where heating or heat appliances or open pilot lights are present, unless the fuel is completely drained from the power equipment and the fuel containers.

5 UNIT OPTIONS

Your Giant-Blo Jr is a versatile machine which can accommodate a variety of optional accessories:

Model 56 & 58 Intake Hose Kit turns your Giant-Blo Jr into a highly efficient yard vacuum. Kit contains a bolt-on intake flange, a 10' length of hose (4" diameter for model **56**, 5" diameter for model **58**), and a pickup nozzle, complete with handle grip. Hose clamps included.

Model 56 Intake Hose Kit - Part # 70029

Model 58 Intake Hose Kit - Part # 70197

Model 509 Exhaust Hose Kit completes the yard vacuum concept with a bolt-on discharge chute adapter and a 10' length of 5" dia. hose which makes loading debris into waste cans or truck beds quick and easy. All necessary hardware included.

Model 509 Exhaust Hose Kit - Part # 70301

Contact your local Giant-Vac Dealer or Distributor for details

GIANT-VAC WARRANTY

GIANT-VAC, INC., here-in-after called Giant-Vac, warrants each new Giant-Vac to the original retail purchaser of the new Giant-Vac equipment to be free from manufacturing defects in normal service for a period of 1 year, unless it is used for rental purposes, which limits the warranty to 30 days. This warranty does not apply to engines, tires or other parts that are purchased and warranted by their manufacturer. Items such as bags, grass catchers, hoses and blades are not warranted, as these are considered expendable items. This warranty does not include equipment failures due to normal wear.

Any obligation under this warranty is expressly limited to the replacement or repair, at an authorized servicing Giant-Vac dealer, or at a point designated by us, of such parts as appear to us to have been defective. All defective parts have to be returned freight prepaid before credit will be issued.

We shall not be liable for transportation charges in connection with the replacement or repair of defective parts.

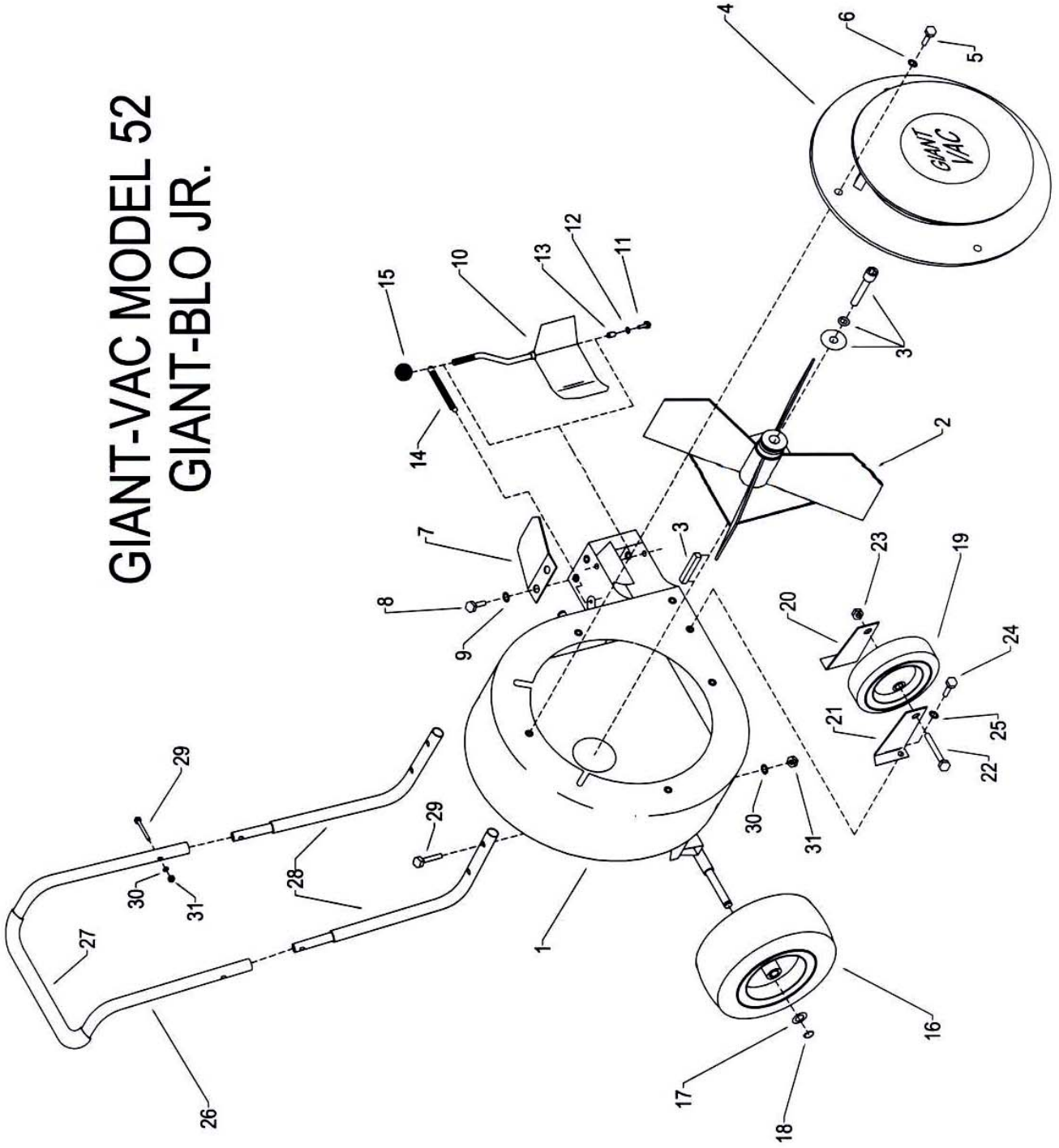
This warranty does not apply to a Giant-Vac upon which repairs or alterations have been made by others except with our prior written approval.

We shall not be liable for consequential damages or contingent liabilities for the fitness of any Giant-Vac for any particular purpose.

We make no other express, implied or statutory warranty, nor is anyone authorized to make any in our behalf.

**GIANT-VAC, INC.
P.O. BOX 195
SOUTH WINDHAM, CT. 06266
PHONE: 860-423-7741 • FAX: 860-423-2654**

GIANT-VAC MODEL 52 GIANT-BLO JR.



MODEL 52 - GIANT-BLO JR.

R0503.1

<u>Ref No</u>	<u>Part No</u>	<u>Description</u>	<u>Qty</u>
1	10003	Housing, blower & engine base	1
2	21506	Impeller	1
3	31019	Group, impeller bolt and key - 3/8-24 x 2"	1
4	20201	Baffle, intake	1
5	31016	Bolt, hex head - 5/16-18 x 5/8"	4
6	31003	Washer, split lock - 5/16	4
7	24507	Deflector, side discharge	1
8	31016	Bolt, hex head - 5/16-18 x 5/8"	2
9	31003	Washer, split lock - 5/16	2
10	24508	Door assy, front/side discharge	1
11	31015	Bolt, hex head - 1/4-20 x 1/2"	1
12	31013	Washer, lock - 1/4	1
13	31014	Bushing, sleeve - 1/4" id x 3/8" od x 1/4" length	1
14	31402	Spring, discharge door	1
15	31103	Knob, ball - 3/8-16 tap	1
16	33001	Wheel assy - 410-350 x 4	2
17	31001	Washer, flat - 5/8"	4
18	31000	Ring, snap - 5/8"	2
19	33017	Wheel, caster - 6 x 1.50 semi-pneumatic **	1
20	33101	Bracket, caster - right side **	1
21	33102	Bracket, caster - left side **	1
22	31357	Bolt, hex head - 3/8-16 x 2-1/2" **	1
23	31355	Nut, reverse lock - 3/8-16 **	1
24	31016	Bolt, hex head - 5/16-18 x 5/8"	2
25	31003	Washer, split lock - 5/16	2
26	23000	Handle, upper	1
27	31590	Grip, handle - 1" id x 24" foam	1
28	23002	Handle, lower	2
29	31006	Bolt, hex head - 5/16-18 x 1-1/2"	6
30	31003	Washer, lock - 5/16 *	6
31	31004	Nut, hex - 5/16-18 *	6
30-31*	31986	Nut, small serrated flange - 5/16-18 (used on some models)	6

ITEMS NOT SHOWN

	39077	Engine - 5.5HP Briggs & Stratton Intek	1
	31294	Bolt, hex head - 5/16-18 x 1-1/2	4
	31003	Washer, split lock - 5/16 *	4
	31004	Nut, hex - 5/16-18 *	4
*	31986	Nut, small hex serrated flange - 5/16-18 (used on some models)	4
	33107	Bearing - replacement for pneumatic tire assembly	4
	33003	Assembly, front caster - complete **	1

SPECIFICATIONS SUBJECT TO CHANGE WITHOUT NOTICE