

Parts Manual for

GIANT-VAC®

WHISPER-JET WALK BEHIND LEAF BLOWER SERIES 1 & 2

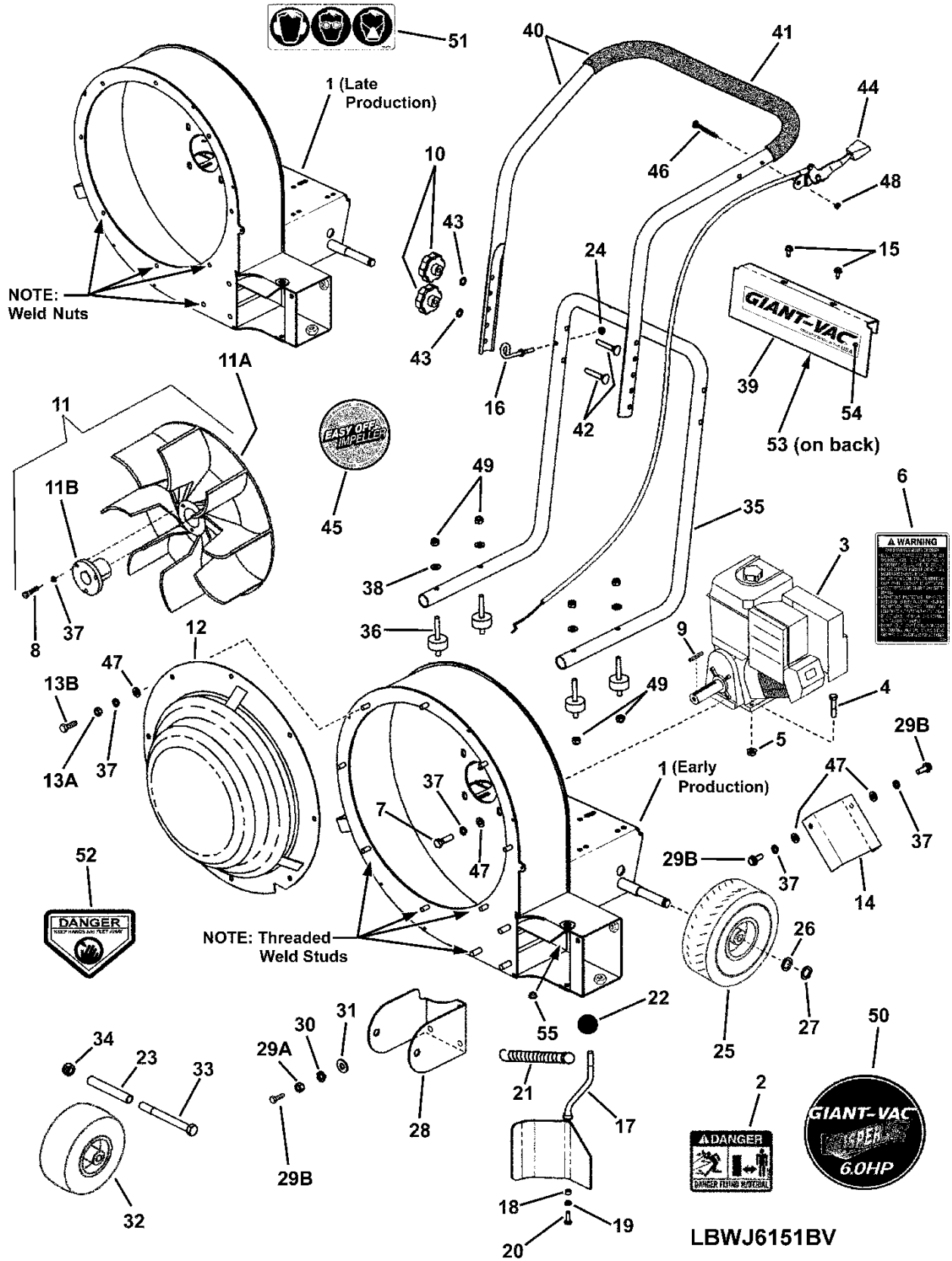


MODEL
LBWJ6151BV
LBWJ815171KH
LBWJ10171BV
LBWJ10172BV
LBWJ13171KH
LBWJ13172BV

GIANT-VAC®

PAGE	GROUP
4	GIANT-VAC MODEL LBWJ6151BV
8	GIANT-VAC MODEL LBWJ85171KH
12	GIANT-VAC MODEL LBWJ10171BV
16	GIANT-VAC MODEL LBWJ10172BV
20	GIANT-VAC MODEL LBWJ13171KH
24	GIANT-VAC MODEL LBWJ13172BV

GIANT-VAC MODEL LBWJ6151BV



GIANT-VAC MODEL LBWJ6151BV

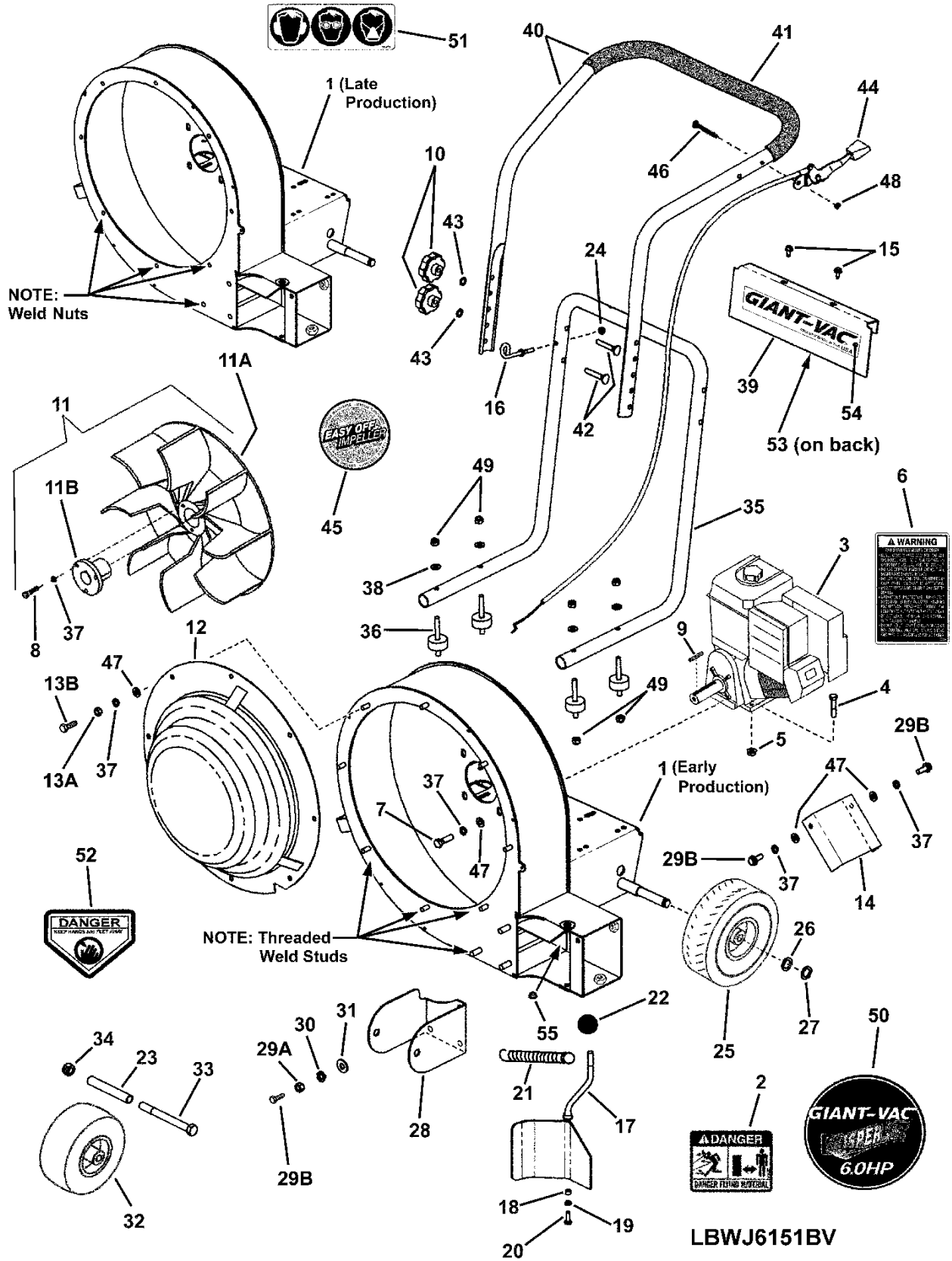
Item	Part No	Qty	Description	Note
1	3010267	1	WELDMENT, Housing- Extreme Blower	<i>For model LBX10151BV</i>
2	7033874	1	DECAL, Thrown Objects, Large	
3	3039112	1	*ENGINE, B&S 6HP Intek 1" Horizontal Shaft	<i>Mod 126312-0163-E2</i>
4	7091540	4	SCREW, 5/16-18 x 1-1/2 Hex Head Cap, GR 5	
5	7091601	8	NUT, 5/16-18 Hex Flange Lock, GR 5	
6	7033686	1	DECAL, Warning- Leaf Blower	
7	7091513	4	SCREW, 5/16-24 x 1-3/4" Hex Head Cap, GR 5	
8	7091527	3	SCREW, 5/16-18 x 1-1/4", Hex Head Cap, GR 5	
9	7010210	1	KEY, 1/4" Square x 2"	
10	3071776	4	KNOB, Fluted- Folding Handles	
11	3021598	1	ASSEMBLY, 15" 8 Blade Impeller	<i>was 3021568; incl. 11A, 11B & 3 of #'s 8 & 37</i>
11A	3021595	1	IMPELLER, Cast, 15" O.D. (9 curved alum. blades)	<i>was 3071771</i>
11B	3021596	1	HUB, Taper Loc, Type 1 (1.938 OAL)	<i>was 3021560</i>
12	3020211	1	WELDMENT, Intake Baffle- 60BWJ	
13A	7091511	8	NUT, 5/16-18 Hex, GR 5 or B	
13B	7091318	10	SCREW, 5/16-18 x 3/4" Hex Head Cap, GR 5	
14	3024500	1	DEFLECTOR, Side Air	
15	7091523	2	SCREW, 5/16-18 x 5/8" Hex Washer Self-Tap	
16	7046465	1	GUIDE, Rope (1/4-20 thread)	
17	3024501	1	**WELDMENT, Door Front/Side Discharge	
18	3031014	1	BUSHING, Steel .250 ID x .375 OD x .25 Long	
19	7027223	1	WASHER, 1/4" Split Lock	
20	7091495	1	SCREW, 1/4-20 x 3/4" Hex Head Cap, GR 5	
21	3071782	1	SPRING, Extension- Side Air Discharge Door	
22	3031103	1	KNOB, Ball Hand Lever- 3/8-16 Metal Insert	
23	3034053	1	TUBE, Front Wheel- Extreme	
24	7090372	1	NUT, 1/4-20 Hex Center Lock, GR 5 or B	
25	3033001	2	ASSY., Wheel & Tire 4.10/3.50-4 Kenda	<i>Sawtooth</i>
--	3033107	4	BALL BEARING, 5/8 x 1-3/8" (not shown)	<i>Part of item 25 & 26, 2 per wheel</i>
26	7091628	2	WASHER, .64 x .99 x .05 Flat	
27	7012763	2	RING, External Retaining (TRU1500-62)	
28	3033186	1	BRACKET, Front Wheel Mounting	
29A	7091302	3	NUT, 3/8-16 Hex, GR 5 or B	
29B	7091304	3	SCREW, 3/8-16 x 1" Hex Head Cap, GR 5	
30	7091320	3	WASHER, 3/8" Split Lock	
31	7090517	3	WASHER, 3/8" Flat	
32	3033300	1	ASSEMBLY, Tire & Wheel 9 x 350-4 "Flatfree"	
33	7091822	1	BOLT, 1/2-13 x 5" Hex Head Cap	

Footnotes:

*Purchase engine components directly from engine manufacturer dealer.

**Some early versions of item 17 may lack bushing (3031220).

GIANT-VAC MODEL LBWJ6151BV



GIANT-VAC MODEL LBWJ6151BV

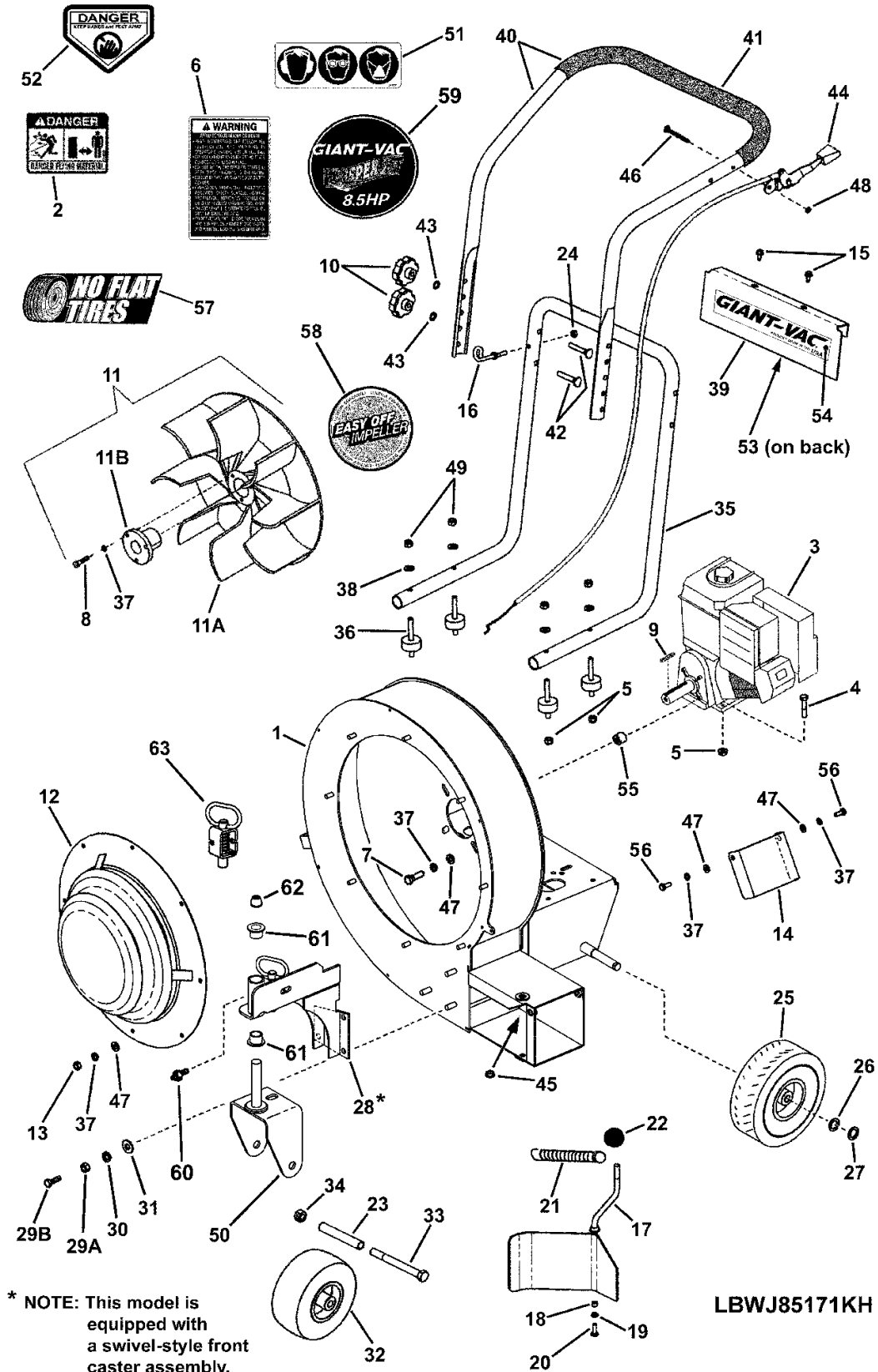
Item	Part No	Qty	Description	Note
34	7091894	1	NUT, 1/2-13 Hex Center Lock, GR 5	
35	7033753	1	HANDLE, Lower Folding- Wide- Blower	
36	3032160	4	MOUNT, Vibration (5/16-18 thread- both ends)	<i>Estco Enterprises # MM312-D-SP2NEO</i>
37	7091315	13	WASHER, 5/16" Split Lock	
38	1717312	4	WASHER, 5/16" Curved	
39	7033866	1	DASH PANEL, Blower- Wide	
40	3023276	1	ASSY, Upper Handle & Grip- Wide (p/n 7033696 + grip)	
41	7074422	1	GRIP, 1.0 x 21-1/2" Foam	
42	7091189	4	BOLT, Curved Head Square Neck 5/16-18 x 2" GR 2	
43	7090391	4	WASHER, 5/16" Internal Tooth Lock	
44	3071800	1	THROTTLE CONTROL, 35/1.62, Briggs	<i>p/n stamped on part</i>
45	3079269	1	DECAL, Easy Off Impeller	
46	7090505	1	SCREW, 1/4-20 x 2" Hex Head Cap, GR 5	
47	7090188	12	WASHER, .34 x .69 x .08 Flat	
48	7076978	1	NUT, 1/4-20 Hex Nyloc	
49	7091298	8	NUT, 5/16-18 Hex Nyloc	
50	3046684	1	DECAL, 6 HP Whisper Jet	
51	7075893	1	DECAL, Personal Protection	
52	7013010	1	DECAL, Danger, Cut Finger	
53	7029445	1	DECAL, GIANT-VAC (Small)	
54	7075861	1	DECAL, GIANT VAC	
55	3031220	1	BUSHING, Flanged .375 x .500 x .25 (.625 x .063 Flange)	<i>This bushing is part of item 17 on some models.</i>

Footnotes:

*Purchase engine components directly from engine manufacturer dealer.

**Some early versions of item 17 may lack bushing (3031220).

GIANT-VAC MODEL LBWJ85171KH



GIANT-VAC MODEL LBWJ85171KH

Item	Part No	Qty	Description	Note
1	3010240	1	WELDMENT, Housing- 85KWJ & 13KWJ	
2	7033874	1	DECAL, Thrown Objects, Large	
3	3039078	1	*ENGINE, 8.5HP Kohler Pro CS8.5T	<i>Kohler PA-951501</i>
4	7091540	4	SCREW, 5/16-18 x 1-1/2 Hex Head Cap, GR 5	
5	7091601	8	NUT, 5/16-18 Hex Flange Lock, GR 5	
6	7033686	1	DECAL, Warning- Leaf Blower	
7	7091513	4	SCREW, 5/16-24 x 1-3/4" Hex Head Cap, GR 5	<i>or 1921982 (HHCS, 5/16-24 x 1-1/4")</i>
8	7091527	3	SCREW, 5/16-18 x 1-1/4", Hex Head Cap, GR 5	
9	7010210	1	KEY, 1/4" Square x 2"	
10	3071776	4	KNOB, Fluted- Folding Handles (5/16-18 thread)	
11	3021564	1	ASSEMBLY, 17" 8 Curved Blade Impeller	
11A	3071770	1	IMPELLER, Cast, 17" O.D.	<i>aluminum with 8 curved blades</i>
11B	3021560	1	HUB, Taper-Lok, Type 1 (2.938 OAL)	
12	3020206	1	WELDMENT, Intake Baffle- WJ- 17"	
13	7091511	8	NUT, 5/16-18 Hex, GR 5 or B	
14	3024609	1	DEFLECTOR, Side Air- WJ- 17"	
15	7091523	2	SCREW, 5/16-18 x 5/8" Hex Washer Self-Tap	
16	7046465	1	GUIDE, Rope (1/4-20 thread)	
17	3024610	1	**WELDMENT, Door Discharge- WJ- 17"	
18	3031014	1	BUSHING, Steel .250 ID x .375 OD x .25 Long	
19	7027223	1	WASHER, 1/4" Split Lock	
20	7091495	1	SCREW, 1/4-20 x 3/4" Hex Head Cap, GR 5	
21	3071803	1	SPRING, Extension	
22	3031103	1	KNOB, Ball Hand Lever- 3/8-16 Metal Insert	
23	3034053	1	TUBE, Front Wheel- Extreme	
24	7090372	1	NUT, 1/4-20 Hex Center Lock, GR 5 or B	
25	3033276	2	ASSY., Wheel & Tire 410/350-4 "Flatfree"	
--	3033107	4	BALL BEARING, 5/8 x 1-3/8" (not shown)	<i>Part of item 25 & 32, 2 per wheel</i>
26	7091628	2	WASHER, .64 x .99 x .05 Flat	
27	7012763	2	RING, External Retaining (TRU1500-62)	
28	3033226	1	***WELDMENT, Swivel Caster Arm	
29A	7091302	3	NUT, 3/8-16 Hex, GR 5 or B	
29B	7091304	3	SCREW, 3/8-16 x 1" Hex Head Cap, GR 5	
30	7091320	2	WASHER, 3/8" Split Lock	
31	7090517	5	WASHER, 3/8" Flat	
32	3033300	1	ASSEMBLY, Tire & Wheel 9 x 350-4 "Flatfree"	
33	7091822	1	BOLT, 1/2-13 x 5" Hex Head Cap	
34	7091894	1	NUT, 1/2-13 Hex Center Lock, GR 5	

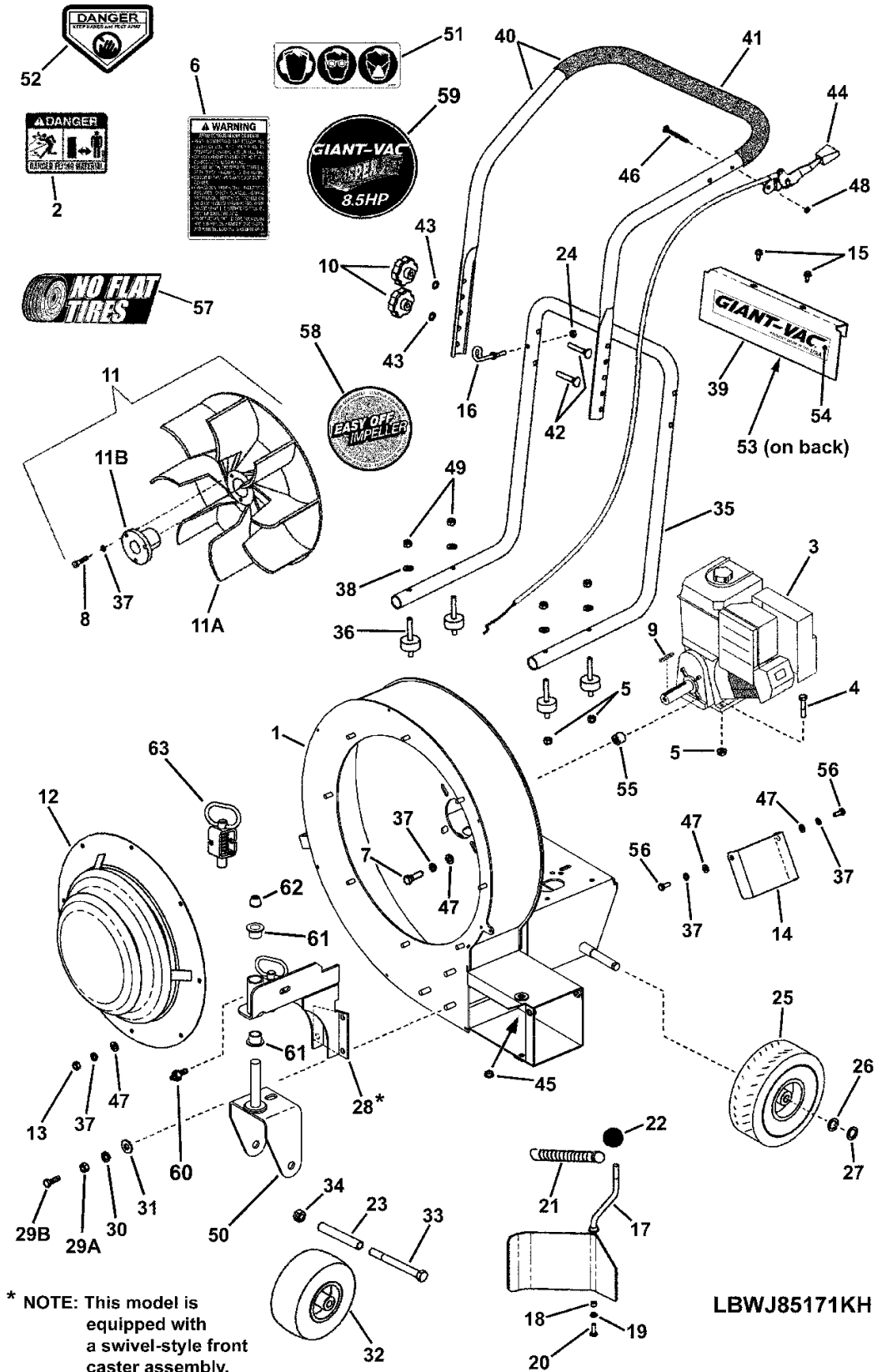
Footnotes:

*Purchase engine components directly from engine manufacturer dealer.

**Some early versions of item 17 may lack bushing (3031220).

***An optional caster swivel kit (p/n 3033225) is compatible with this model.

GIANT-VAC MODEL LBWJ85171KH



GIANT-VAC MODEL LBWJ85171KH

Item	Part No	Qty	Description	Note
35	7033753	1	HANDLE, Lower Folding- Wide- Blower	
36	3032160	4	MOUNT, Vibration (5/16-18 thread- both ends)	<i>Estco Enterprises # MM312-D-SP2NEO</i>
37	7091315	17	WASHER, 5/16" Split Lock	
38	1717312	4	WASHER, 5/16" Curved	
39	7033866	1	DASH PANEL, Blower- Wide	
40	3023276	1	ASSY, Upper Handle & Grip- Wide	<i>(p/n 7033696 + grip)</i>
41	7074422	1	GRIP, 1.0 x 21-1/2" Foam	
42	7091189	4	BOLT, Curved Head Square Neck 5/16-18 x 2" GR 2	
43	7090391	4	WASHER, 5/16" Internal Tooth Lock	
44	3071799	1	THROTTLE CONTROL, 35.24/3.00, Kohler	<i>Capro p/n 65-1381</i>
45	3031220	1	BUSHING, Flanged .375 x .500 x .25 (.625 x .063 Flange)	
46	7090505	1	SCREW, 1/4-20 x 2" Hex Head Cap, GR 5	
47	7090188	12	WASHER, .34 x .69 x .08 Flat	
48	7076978	1	NUT, 1/4-20 Hex Nyloc	
49	7091298	4	NUT, 5/16-18 Hex Nyloc	
50	3033227	1	WELDMENT, Swivel Caster	
51	7075893	1	DECAL, Personal Protection	
52	7013010	1	DECAL, Danger, Cut Finger	
53	7029445	1	DECAL, GIANT-VAC (Small)	
54	7075861	1	DECAL, GIANT VAC	
55	3031814	4	SPACER, .375 I.D. x .750 O.D. x .750	<i>or 3031813 (.50 long)</i>
56	7091304	2	SCREW, 3/8-16 x 1" Hex Head Cap, GR 5	
57	3079268	1	DECAL, No Flat Tire	
58	3079269	1	DECAL, Easy Off Impeller	
59	3046685	1	DECAL, 8.5HP Whisper Jet	
60	7014669	1	LUBE FITTING	
61	3031603	2	BUSHING, .75 I.D. Flange	
62	7029495	1	CAP, Push Plastic	
63	3032027	1	ASSY, 5/8" Spring Latch	<i>part of item 28</i>

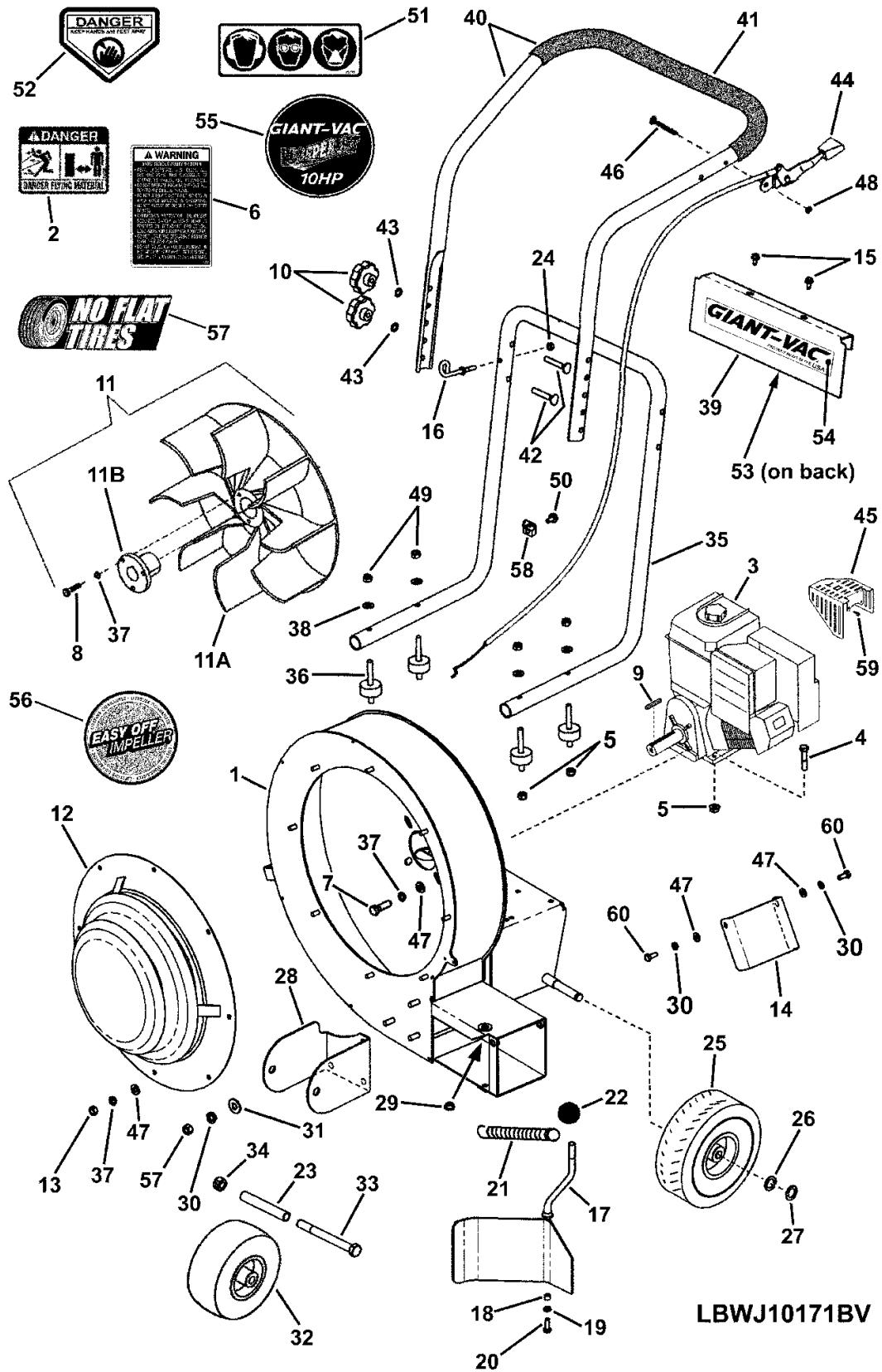
Footnotes:

*Purchase engine components directly from engine manufacturer dealer.

**Some early versions of item 17 may lack bushing (3031220).

***An optional caster swivel kit (p/n 3033225) is compatible with this model.

GIANT-VAC MODEL LBWJ10171BV



LBWJ10171BV

GIANT-VAC MODEL LBWJ10171BV

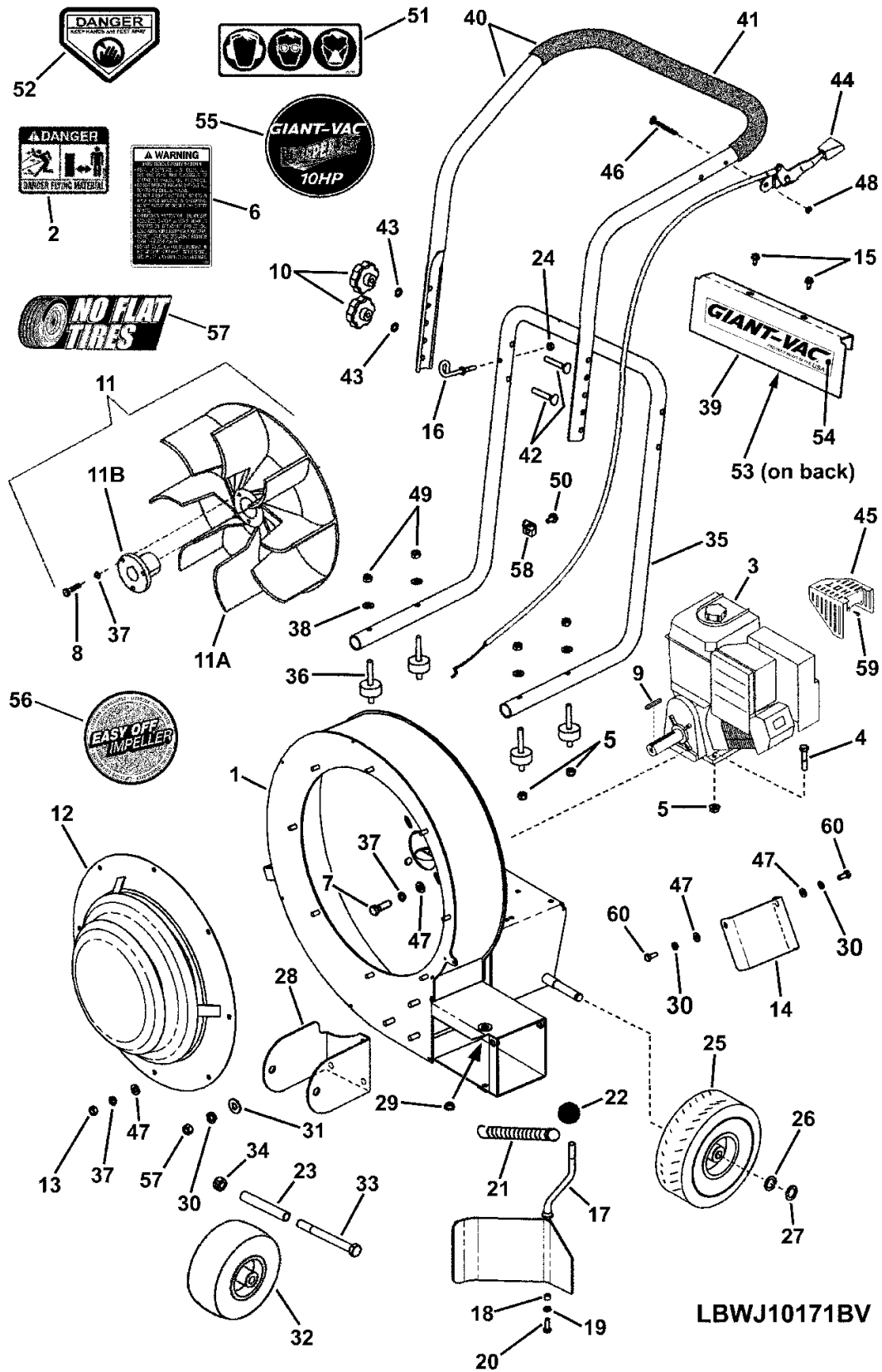
Item	Part No	Qty	Description	Note
1	3010232	1	WELDMENT, Housing- 10BWJ	
2	7033874	1	DECAL, Thrown Objects, Large	
3	3039111	1	*ENGINE, B&S 10HP Intek OHV	<i>Mod 20541-0121-E1</i>
4	7091540	4	SCREW, 5/16-18 x 1-1/2 Hex Head Cap, GR 5	
5	7091601	8	NUT, 5/16-18 Hex Flange Lock, GR 5	
6	7033686	1	DECAL, Warning- Leaf Blower	
7	7090238	4	SCREW, 5/16-24 x 1" Hex Head Cap, GR 5	
8	7091527	3	SCREW, 5/16-18 x 1-1/4", Hex Head Cap, GR 5	
9	7010210	1	KEY, 1/4" Square x 2"	
10	3071776	4	KNOB, Fluted- Folding Handles (5/16-18 thread)	
11	3021586	1	ASSEMBLY, 17" 8 Curved Blade Impeller	
11A	3071770	1	IMPELLER, Cast, 17" O.D.	<i>aluminum with 8 curved blades</i>
11B	3021559	1	HUB, Taper-Lok, Type 1 (2.938 OAL)	
12	3020206	1	WELDMENT, Intake Baffle- WJ- 17"	
13	7091511	8	NUT, 5/16-18 Hex, GR 5 or B	
14	3024609	1	DEFLECTOR, Side Air- WJ- 17"	
15	7091523	2	SCREW, 5/16-18 x 5/8" Hex Washer Self-Tap	
16	7046465	1	GUIDE, Rope (1/4-20 thread)	
17	3024610	1	**WELDMENT, Door Discharge- WJ- 17"	
18	3031014	1	BUSHING, Steel, .250 I.D. x .375 O.D. x .25 long	
19	7027223	1	WASHER, 1/4" Split Lock	
20	7091495	1	SCREW, 1/4-20 x 3/4" Hex Head Cap, GR 5	
21	3071803	1	SPRING, Extension	
22	3031103	1	KNOB, Ball Hand Lever- 3/8-16 Metal Insert	
23	3034053	1	TUBE, .505/.515 I.D. x .625 O.D. x 4" long	
24	7090372	1	NUT, 1/4-20 Hex Center Lock, GR 5 or B	
25	3033276	2	ASSY., Wheel & Tire 410/350-4 "Flatfree"	
--	3033107	4	BALL BEARING, 5/8 x 1-3/8" (not shown)	<i>Part of item 25 & 32, 2 per wheel</i>
26	7091628	2	WASHER, .64 x .99 x .05 Flat	
27	7012763	2	RING, External Retaining (TRU1500-62)	
28	3033209	1	BRACKET, Front Wheel, High Rise	
29	3031220	1	BUSHING, Flanged .375 x .500 x .25 (.625 x .063 Flange)	<i>This bushing is part of item 17 on some models.</i>
30	7091320	5	WASHER, 3/8" Split Lock	
31	7090517	5	WASHER, 3/8" Flat	
32	3033300	1	ASSEMBLY, Tire & Wheel 9 x 350-4 "Flatfree"	
33	7091822	1	BOLT, 1/2-13 x 5" Hex Head	
34	7091894	1	NUT, 1/2-13 Hex Center Lock, GR 5 or B	
35	7033753	1	HANDLE, Lower Folding- Wide- Blower	

Footnotes:

*Purchase engine components directly from engine manufacturer dealer.

**Some early versions of item 17 may lack bushing (3031220).

GIANT-VAC MODEL LBWJ10171BV



LBWJ10171BV

GIANT-VAC MODEL LBWJ10171BV

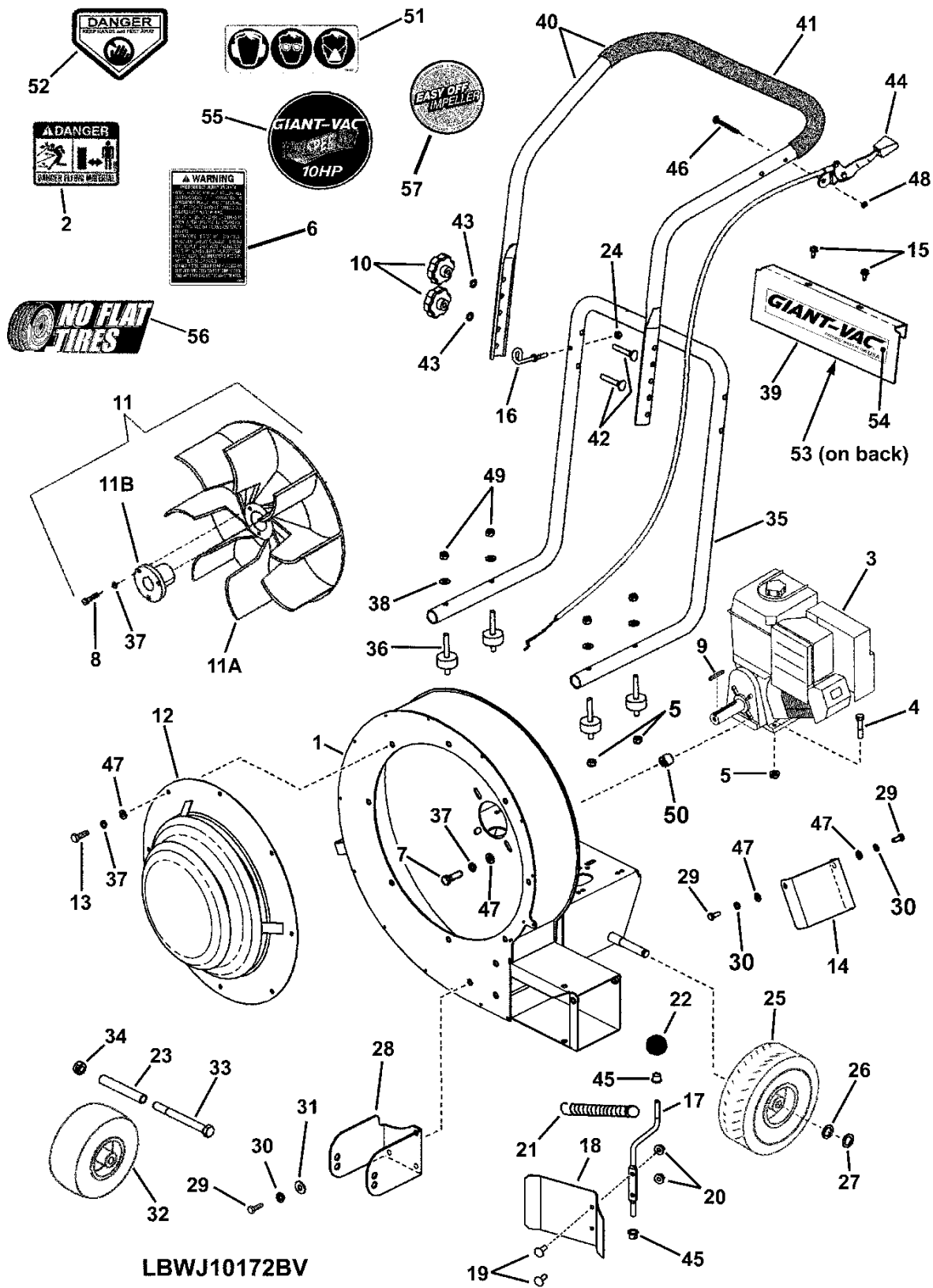
Item	Part No	Qty	Description	Note
36	3032160	4	MOUNT, Vibration (5/16-18 thread- both ends)	<i>Estco Enterprises # MM312-D-SP2NEO</i>
37	7091315	17	WASHER, 5/16" Split Lock	
38	1717312	4	WASHER, 5/16" Curved	
39	7033866	1	DASH PANEL, Blower- Wide	
40	3023276	1	ASSY, Upper Handle & Grip- Wide	<i>(p/n 7033696 + grip)</i>
41	7074422	1	GRIP, 1.0 x 21-1/2" Foam	
42	7091189	4	BOLT, Curved Head Square Neck 5/16-18 x 2" GR 2	
43	7090391	4	WASHER, 5/16" Internal Tooth Lock	
44	3071800	1	THROTTLE CONTROL, Briggs	<i>Capro p/n 65-1382</i>
45	3071833	1	HEAT SHIELD, B&S 9 & 10 HP Intek Engines	
46	7090505	1	SCREW, 1/4-20 x 2" Hex Head Cap, GR 5	
47	7090188	12	WASHER, .34 x .69 x .08 Flat	
48	7076978	1	NUT, 1/4-20 Hex Nyloc	
49	7091298	4	NUT, 5/16-18 Hex Nyloc	
50	3071815	1	SCREW, Casing Clamp - B&S Intek Engine	
51	7075893	1	DECAL, Personal Protection	
52	7013010	1	DECAL, Danger, Cut Finger	
53	7029445	1	DECAL, GIANT-VAC (Small)	
54	7075861	1	DECAL, GIANT VAC	
55	3046686	1	DECAL, 10 HP Whisper Jet	
56	3079269	1	DECAL, Easy Off Impeller	
57	3079268	1	DECAL, No Flat Tire	
58	3071814	1	CASING CLAMP, B&S Intek Engine	
59	7091581	4	SCREW, #8-18 x 1/2" Hex Head Sheet Metal Screw	
60	7091318	2	SCREW, 5/16-18 x 3/4" Hex Head Cap, GR 5	

Footnotes:

*Purchase engine components directly from engine manufacturer dealer.

**Some early versions of item 17 may lack bushing (3031220).

GIANT-VAC MODEL LBWJ10172BV



LBWJ10172BV

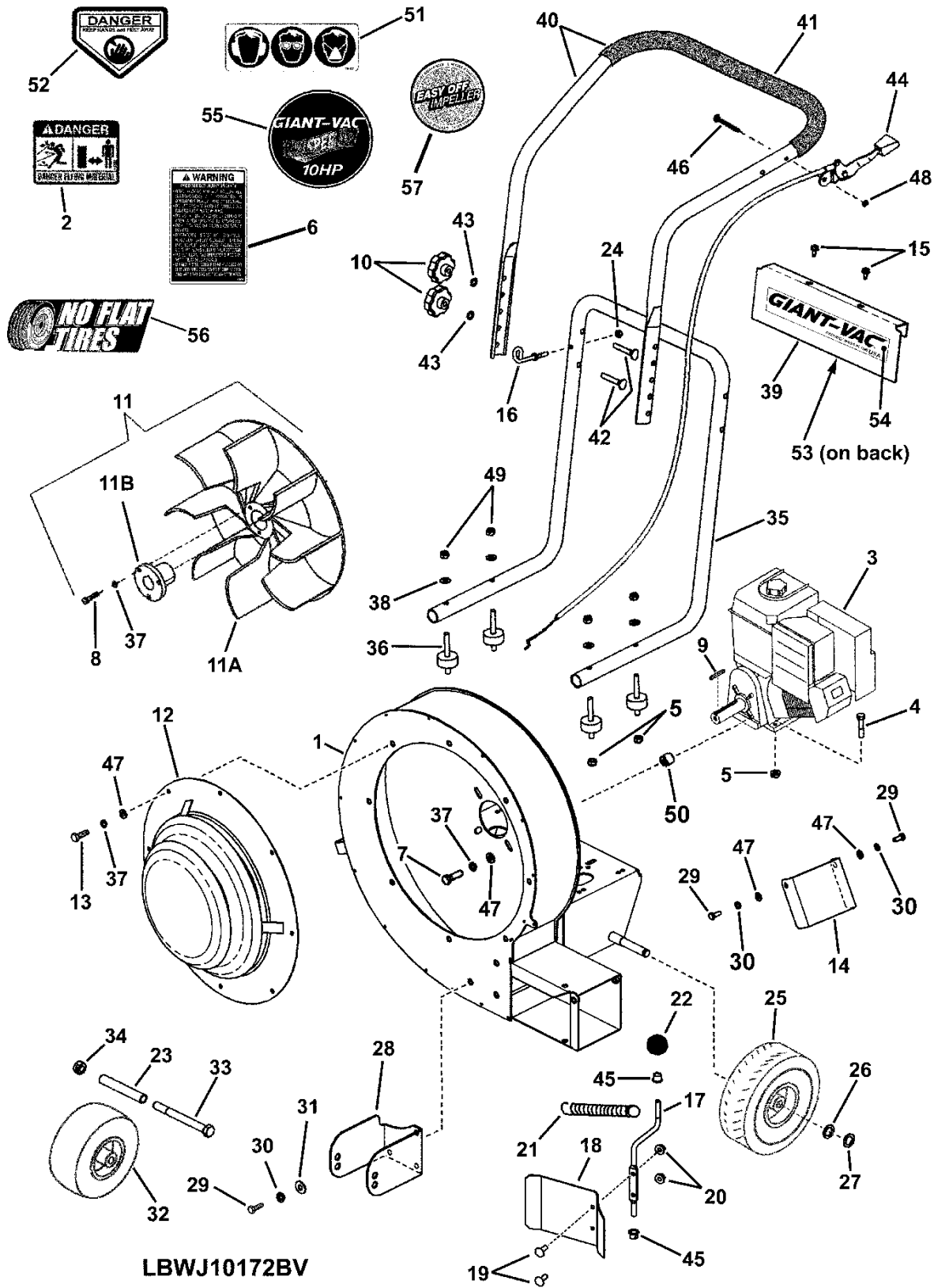
GIANT-VAC MODEL LBWJ10172BV

Item	Part No	Qty	Description	Note
1	3400000	1	WELDMENT, Housing- 10BWJ	
2	7033874	1	DECAL, Thrown Objects, Large	
3	3039111	1	*ENGINE, 10HP Briggs Intek OHV	205412-0121-E1
4	7091540	4	SCREW, 5/16-18 x 1-1/2 Hex Head Cap, GR5	
5	7091601	8	NUT, 5/16-18 Hex Flange Lock, GR 5	
6	7033686	1	DECAL, Warning- Leaf Blower	
7	7091513	4	SCREW, 5/16-24 x 1-3/4" Hex Head Cap, GR 5	
8	7091527	3	SCREW, 5/16-18 x 1-1/4", Hex Head Cap, GR 5	
9	7010210	1	KEY, 1/4" Square x 2"	
10	3071776	4	KNOB, Fluted- Folding Handles (5/16-18 thread)	
11	7500143	1	ASSY, 17" Permanent Impeller (10BWJ)	Incl. items 11A, 11B, 8 & 37
11A	7078040	1	IMPELLER, Aluminum 17" O.D., 9 Curved Blades	
11B	3021597	1	*HUB, Taper-Lok (1.938 OAL)	Type 1 - P1 x 1.125
12	3020206	1	WELDMENT, Intake Baffle- WJ- 17"	
13	7091318	8	SCREW, 5/16-18 x 3/4" Hex Head Cap, GR 5	
14	3024609	1	DEFLECTOR, Side Air- WJ- 17"	
15	7091523	2	SCREW, 5/16-18 x 5/8" Hex Washer Self-Tap	
16	7046465	1	GUIDE, Rope (1/4-20 thread)	
17	7078149	1	ROD, Door Front/Side Discharge	
18	7078151	1	DOOR, Forward Air Control- WJ	
19	7091530	2	SCREW, 1/4-20 x 3/4" Short Square Neck Carriage, GR 5	
20	7091584	2	NUT, 1/4-20 Hex Flange Lock, GR 5	
21	3071803	1	SPRING, Extension	
22	3031103	1	KNOB, Ball Hand Lever- 3/8-16 Metal Insert	
23	7022151	1	SLEEVE, Axle	
24	7090372	1	NUT, 1/4-20 Hex Center Lock, GR 5 or B	
25	3033276	2	ASSY., Wheel & Tire 410/350-4 "Flatfree"	
--	3033107	4	BALL BEARING, 5/8 x 1-3/8" (not shown)	Part of item 25 & 32, 2 per wheel
26	7091628	2	WASHER, .64 x .99 x .05 Flat	
27	7012763	2	RING, External Retaining (TRU1500-62)	
28	7078139	1	BRACKET, Front Wheel Mounting	
29	7091304	5	SCREW, 3/8-16 x 1" Hex Head Cap, GR 5	
30	7091320	3	WASHER, 3/8" Split Lock	
31	7090517	5	WASHER, 3/8" Flat	
32	3033300	1	ASSEMBLY, Tire & Wheel 9 x 350-4 "Flatfree"	
33	7091822	1	BOLT, 1/2-13 x 5" Hex Head Cap	
34	7091894	1	NUT, 1/2-13 Hex Center Lock, GR 5	
35	7033753	1	HANDLE, Lower Folding- Wide- Blower	

Footnotes:

*Purchase engine components directly from engine manufacturer dealer.

GIANT-VAC MODEL LBWJ10172BV



LBWJ10172BV

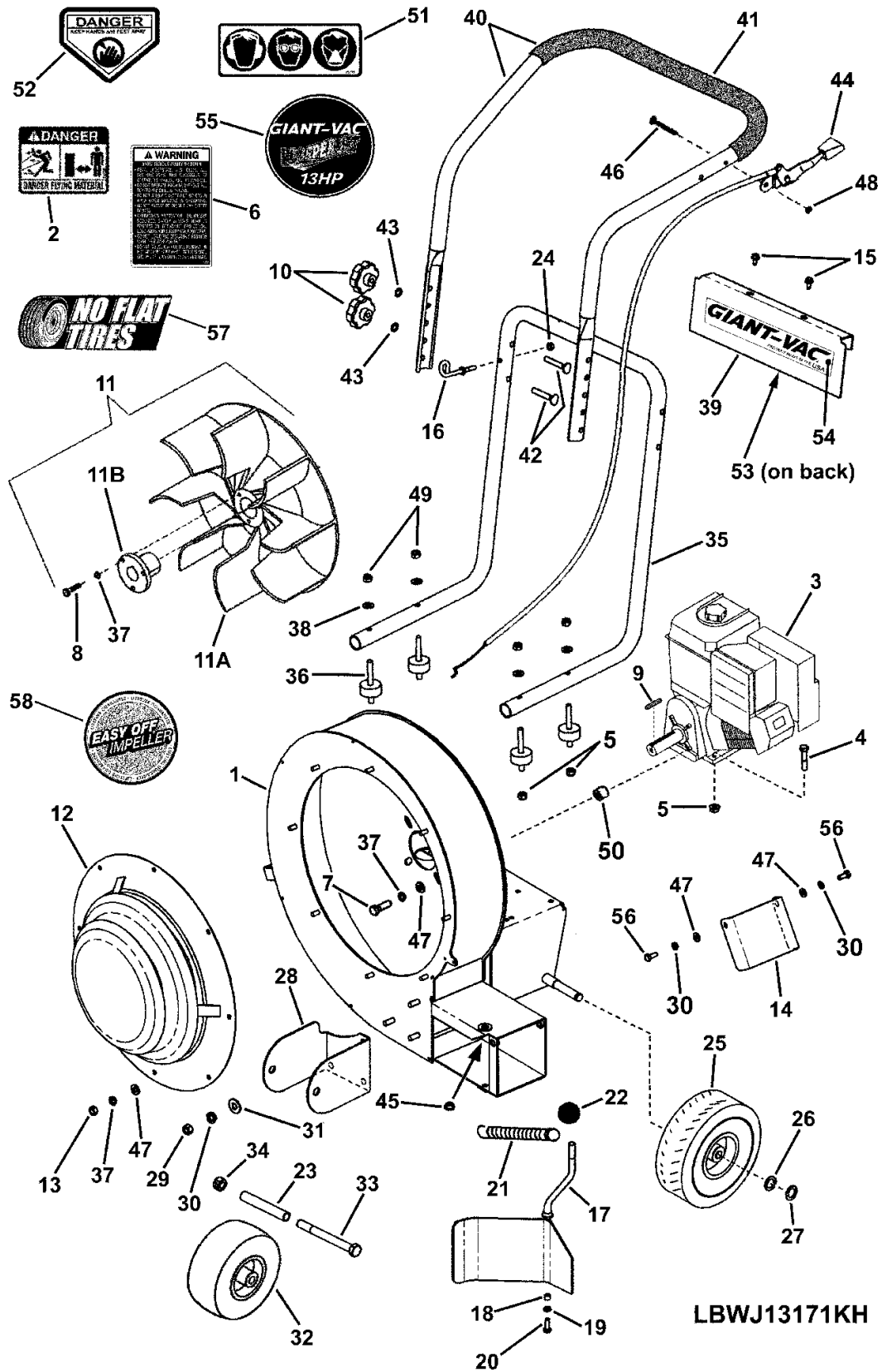
GIANT-VAC MODEL LBWJ10172BV

Item	Part No	Qty	Description	Note
36	3032160	4	MOUNT, Vibration (5/16-18 thread- both ends)	<i>Estco Enterprises # MM312-D-SP2NEO</i>
37	7091315	14	WASHER, 5/16" Split Lock	
38	1717312	4	WASHER, 5/16" Curved	
39	7033866	1	DASH PANEL, Blower- Wide	
40	3023276	1	ASSY, Upper Handle & Grip- Wide	<i>(p/n 7033696 + grip)</i>
41	7074422	1	GRIP, 1.0 x 21-1/2" Foam	
42	7091189	4	BOLT, 5/16-18 x 2", Curved Head Square Neck, GR 2	
43	7090391	4	WASHER, 5/16" Internal Tooth Lock	
44	3071800	1	THROTTLE CONTROL, 35.00/1.62	<i>Capro p/n 65-4159</i>
45	7078169	2	BEARING, 3/8" Clip	
46	7090505	1	SCREW, 1/4-20 x 2" Hex Head Cap, GR 5	
47	7090188	14	WASHER, .34 x .69 x .08 Flat	
48	7076978	1	NUT, 1/4-20 Hex Nyloc	
49	7091298	4	NUT, 5/16-18 Hex Nyloc	
50	3031814	4	SPACER, .375 I.D. x .750 O.D. x .750	
51	7075893	1	DECAL, Personal Protection	
52	7013010	1	DECAL, Danger, Cut Finger	
53	7029445	1	DECAL, GIANT-VAC (Small)	
54	7075861	1	DECAL, GIANT VAC	
55	3046686	1	DECAL, 10 HP Whisper Jet	
56	3079268	1	DECAL, No Flat Tire	
57	3079269	1	DECAL, Easy Off Impeller	

Footnotes:

*Purchase engine components directly from engine manufacturer dealer.

GIANT-VAC MODEL LBWJ13171KH



LBWJ13171KH

GIANT-VAC MODEL LBWJ13171KH

Item	Part No	Qty	Description	Note
1	3010240	1	WELDMENT, Housing- 85KWJ & 13KWJ	
2	7033874	1	DECAL, Thrown Objects, Large	
3	3039109	1	*ENGINE, 13HP Kohler CS12T-Hydro 13	<i>Kohler PA-941620</i>
4	7091540	4	SCREW, 5/16-18 x 1-1/2 Hex Head Cap, GR 5	
5	7091601	8	NUT, 5/16-18 Hex Flange Lock, GR 5	
6	7033686	1	DECAL, Warning- Leaf Blower	
7	7091513	4	SCREW, 5/16-24 x 1-3/4" Hex Head Cap, GR 5	<i>was 1921982 (5/16-24 x 1-1/4")</i>
8	7091527	3	SCREW, 5/16-18 x 1-1/4", Hex Head Cap, GR 5	
9	7010210	1	KEY, 1/4" Square x 2"	
10	3071776	4	KNOB, Fluted- Folding Handles (5/16-18 thread)	
11	3021564	1	ASSEMBLY, 17" 8 Curved Blade Impeller	
11A	3071770	1	IMPELLER, Cast, 17" O.D.	<i>aluminum with 8 curved blades</i>
11B	3021560	1	HUB, Taper-Lok, Type 1 (2.938 OAL)	
12	3020206	1	WELDMENT, Intake Baffle- WJ- 17"	
13	7091511	8	NUT, 5/16-18 Hex, GR 5 or B	
14	3024609	1	DEFLECTOR, Side Air- WJ- 17"	
15	7091523	2	SCREW, 5/16-18 x 5/8" Hex Washer Self-Tap	
16	7046465	1	GUIDE, Rope (1/4-20 thread)	
17	3024610	1	**WELDMENT, Door WJ- 17"	
18	3031014	1	BUSHING, Steel .250 ID x .375 OD x .25 Long	
19	7027223	1	WASHER, 1/4" Split Lock	
20	7091495	1	SCREW, 1/4-20 x 3/4" Hex Head Cap, GR 5	
21	3071803	1	SPRING, Extension	
22	3031103	1	KNOB, Ball Hand Lever- 3/8-16 Metal Insert	
23	3034053	1	TUBE, Front Wheel- Extreme	
24	7090372	1	NUT, 1/4-20 Hex Center Lock, GR 5 or B	
25	3033276	2	ASSY., Wheel & Tire 410/350-4 "Flatfree"	
--	3033107	4	BALL BEARING, 5/8 x 1-3/8" (not shown)	<i>Part of item 25 & 32, 2 per wheel</i>
26	7091628	2	WASHER, .64 x .99 x .05 Flat	
27	7012763	2	RING, External Retaining (TRU1500-62)	
28	3033209	1	***BRACKET, Front Wheel, High Rise	
29	7091302	3	NUT, 3/8-16 Hex, GR 5 or B	
30	7091320	5	WASHER, 3/8" Split Lock	
31	7090517	5	WASHER, 3/8" Flat	
32	3033300	1	ASSEMBLY, Tire & Wheel 9 x 350-4 "Flatfree"	
33	7091822	1	BOLT, 1/2-13 x 5" Hex Head Cap	
34	7091894	1	NUT, 1/2-13 Hex Center Lock, GR 5	
35	7033753	1	HANDLE, Lower Folding- Wide- Blower	

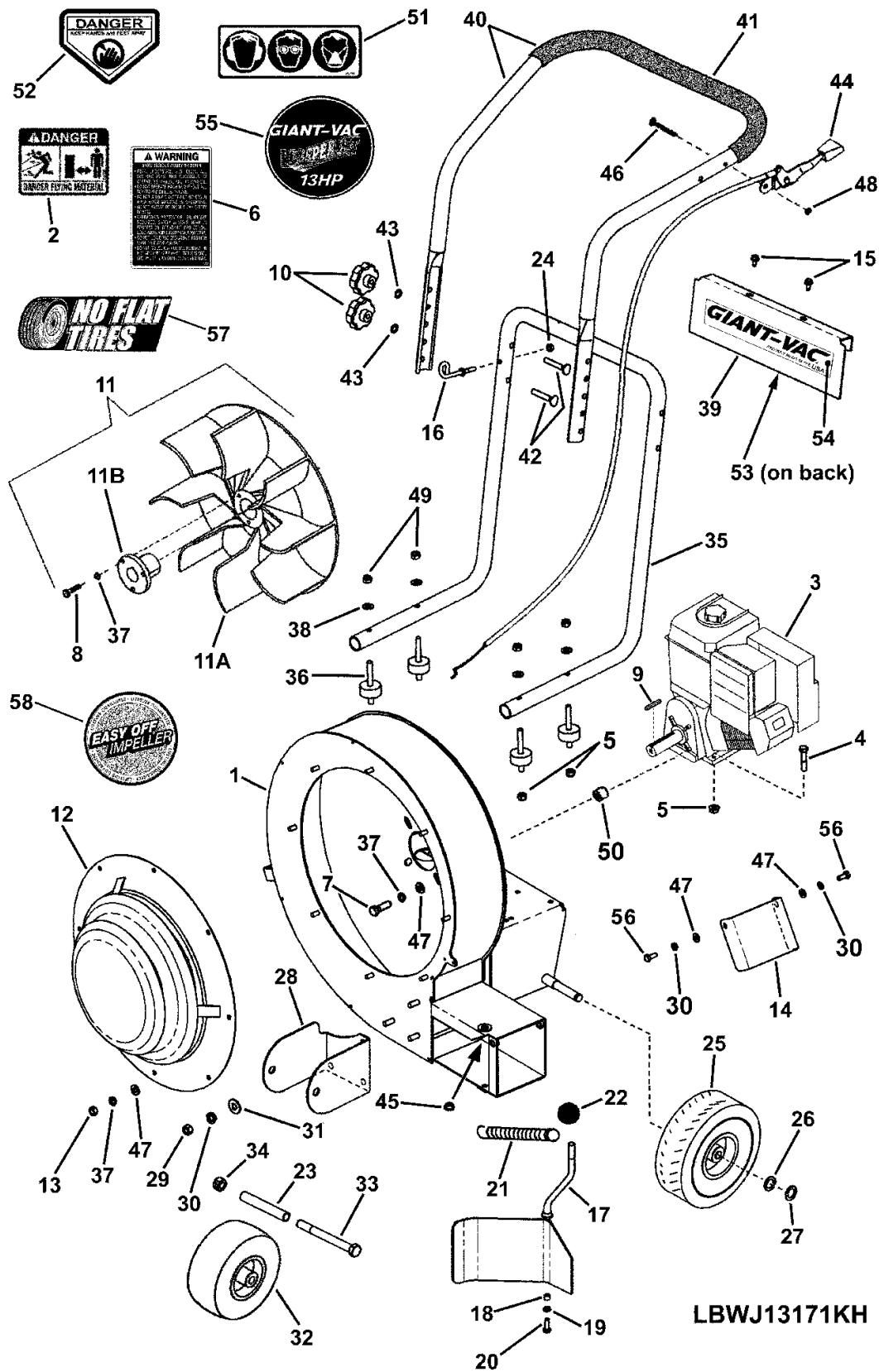
Footnotes:

*Purchase engine components directly from engine manufacturer dealer.

**Some early versions of item 17 may lack bushing (3031220).

***An optional caster swivel kit (p/n 3033225) is compatible with this model.

GIANT-VAC MODEL LBWJ13171KH



LBWJ13171KH

GIANT-VAC MODEL LBWJ13171KH

Item	Part No	Qty	Description	Note
36	3032160	4	MOUNT, Vibration (5/16-18 thread- both ends)	<i>Estco Enterprises # MM312-D-SP2NEO</i>
37	7091315	14	WASHER, 5/16" Split Lock	
38	1717312	4	WASHER, 5/16" Curved	
39	7033866	1	DASH PANEL, Blower- Wide	
40	3023276	1	ASSY, Upper Handle & Grip- Wide	<i>(p/n 7033696 + grip)</i>
41	7074422	1	GRIP, 1.0 x 21-1/2" Foam	
42	7091189	4	BOLT, 5/16-18 x 2", Curved Head Square Neck, GR 2	
43	7090391	4	WASHER, 5/16" Internal Tooth Lock	
44	3071799	1	THROTTLE CONTROL, Kohler	<i>Capro p/n 65-1381</i>
45	3031220	1	BUSHING, Flanged .375 x .500 x .25 (.625 x .063 Flange)	<i>This bushing is part of item 17 on some models.</i>
46	7090505	1	SCREW, 1/4-20 x 2" Hex Head Cap, GR 5	
47	7090188	10	WASHER, .34 x .69 x .08 Flat	
48	7076978	1	NUT, 1/4-20 Hex Nyloc	
49	7091298	4	NUT, 5/16-18 Hex Nyloc	
50	3031814	4	SPACER, .375 I.D. x .750 O.D. x .750	<i>was 3031813 (.750 long)</i>
51	7075893	1	DECAL, Personal Protection	
52	7013010	1	DECAL, Danger, Cut Finger	
53	7029445	1	DECAL, GIANT-VAC (Small)	
54	7075861	1	DECAL, GIANT VAC	
55	3046622	1	DECAL, 13 HP Whisper Jet	
56	7091304	3	SCREW, 3/8-16 x 1" Hex Head Cap, GR 5	
57	3079268	1	DECAL, No Flat Tire	
58	3079269	1	DECAL, Easy Off Impeller	

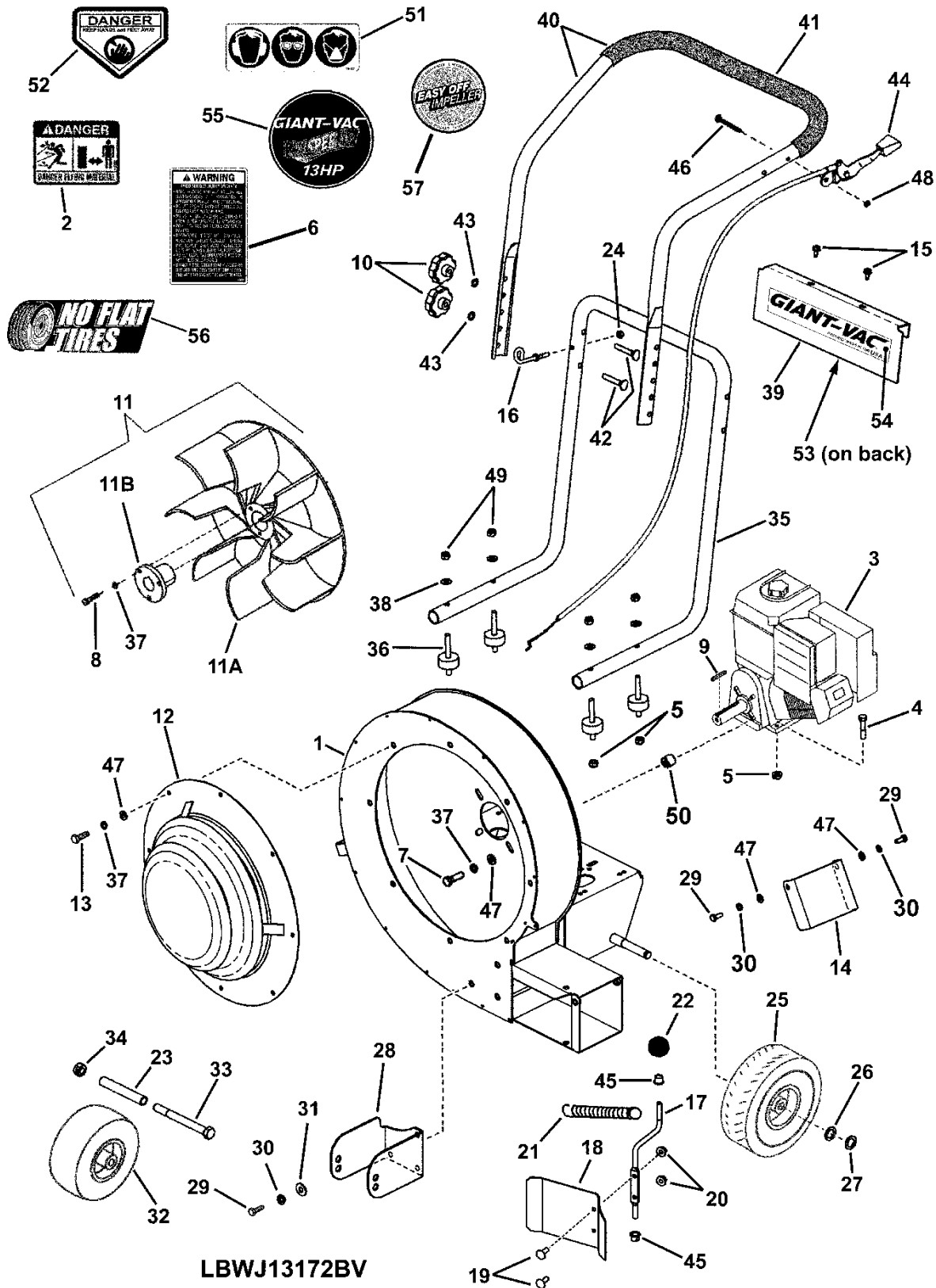
Footnotes:

*Purchase engine components directly from engine manufacturer dealer.

**Some early versions of item 17 may lack bushing (3031220).

***An optional caster swivel kit (p/n 3033225) is compatible with this model.

GIANT-VAC MODEL LBWJ13172BV



LBWJ13172BV

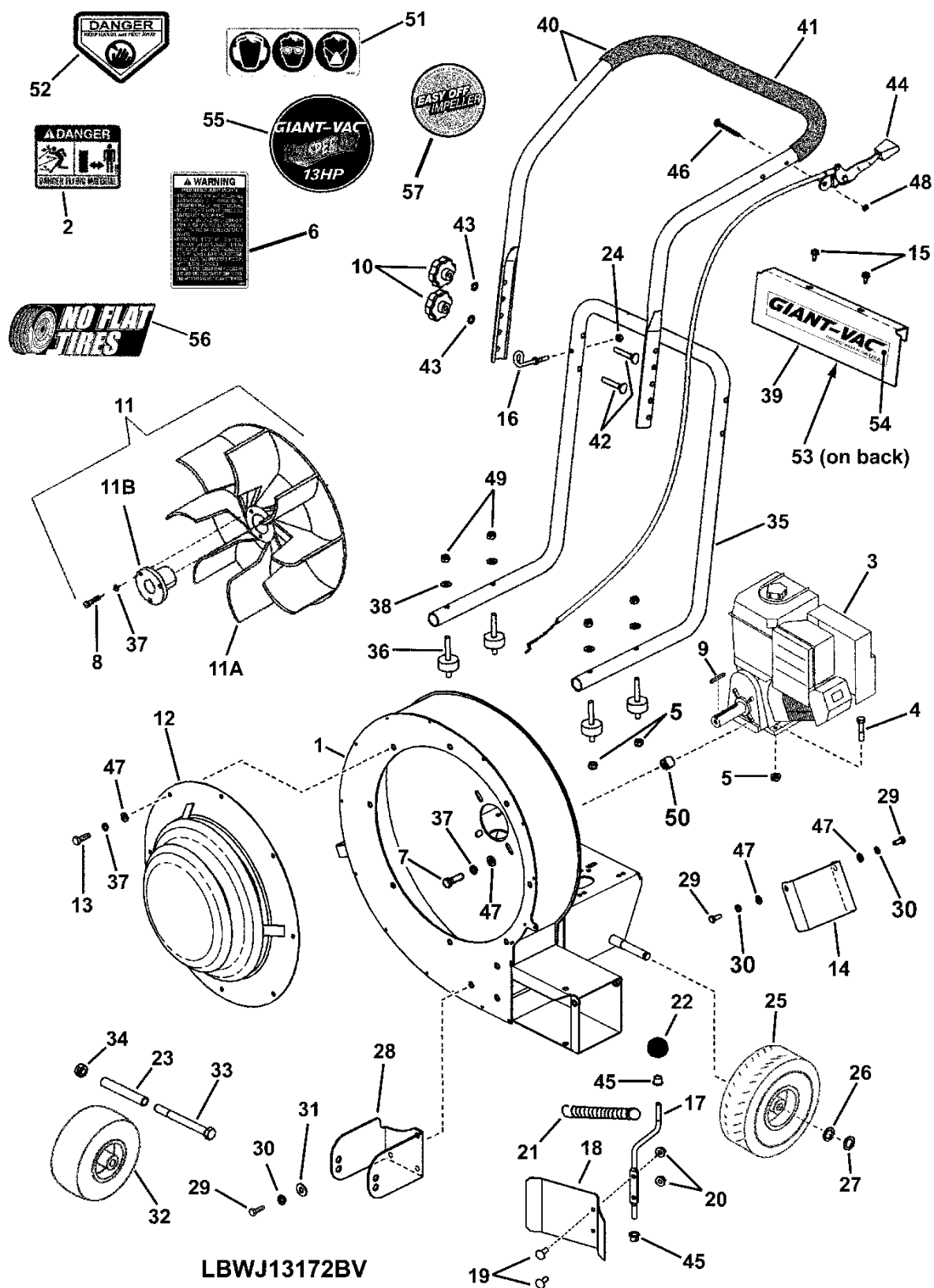
GIANT-VAC MODEL LBWJ13172BV

Item	Part No	Qty	Description	Note
1	7043271	1	WELDMENT, Housing- 13BWJ (shown)	
2	7033874	1	DECAL, Thrown Objects, Large	
3	7078052	1	*ENGINE, 13HP Briggs Vanguard	245432-0577-E1
4	7091540	4	SCREW, 5/16-18 x 1-1/2 Hex Head Cap, GR5	
5	7091601	8	NUT, 5/16-18 Hex Flange Lock, GR 5	
6	7033686	1	DECAL, Warning- Leaf Blower	
7	7091513	4	SCREW, 5/16-24 x 1-3/4" Hex Head Cap, GR 5	
8	7091527	3	SCREW, 5/16-18 x 1-1/4", Hex Head Cap, GR 5	
9	7010210	1	KEY, 1/4" Square x 2"	
10	3071776	4	KNOB, Fluted- Folding Handles (5/16-18 thread)	
11	7050452	1	ASSY, 17" Permanent Impeller	Incl. items 11A, 11B, 8 & 37
11A	7078040	1	IMPELLER, Aluminum 17" O.D., 9 Curved Blades	
11B	3021596	1	**HUB, Taper-Lok (1.938 OAL)	Type 1 - P1 x 1.000
12	3020206	1	WELDMENT, Intake Baffle- WJ- 17"	
13	7091318	8	SCREW, 5/16-18 x 3/4" Hex Head Cap, GR 5	
14	3024609	1	DEFLECTOR, Side Air- WJ- 17"	
15	7091523	2	SCREW, 5/16-18 x 5/8" Hex Washer Self-Tap	
16	7046465	1	GUIDE, Rope (1/4-20 thread)	
17	7078149	1	ROD, Door Front/Side Discharge	
18	7078151	1	DOOR, Forward Air Control- WJ	
19	7091530	2	SCREW, Carriage 1/4-20 x 3/4" GR 5	
20	7091584	2	NUT, 1/4-20 Hex Flange Lock, GR 5	
21	3071803	1	SPRING, Extension	
22	3031103	1	KNOB, Ball Hand Lever- 3/8-16 Metal Insert	
23	7022151	1	SLEEVE, Axle	
24	7090372	1	NUT, 1/4-20 Hex Center Lock, GR 5 or B	
25	3033276	2	ASSY., Wheel & Tire 410/350-4 "Flatfree"	
--	3033107	4	BALL BEARING, 5/8 x 1-3/8" (not shown)	Part of item 25 & 32, 2 per wheel
26	7091628	2	WASHER, .64 x .99 x .05 Flat	
27	7012763	2	RING, External Retaining (TRU1500-62)	
28	7078139	1	BRACKET, Front Wheel Mounting	
29	7091304	5	SCREW, 3/8-16 x 1" Hex Head Cap, GR 5	
30	7091320	3	WASHER, 3/8" Split Lock	
31	7090517	5	WASHER, 3/8" Flat	
32	3033300	1	ASSEMBLY, Tire & Wheel 9 x 350-4 "Flatfree"	
33	7091822	1	BOLT, 1/2-13 x 5" Hex Head Cap	
34	7091894	1	NUT, 1/2-13 Hex Center Lock, GR 5	
35	7033753	1	HANDLE, Lower Folding- Wide- Blower	

Footnotes:

*Purchase engine components directly from engine manufacturer dealer.

GIANT-VAC MODEL LBWJ13172BV



LBWJ13172BV

GIANT-VAC MODEL LBWJ13172BV

Item	Part No	Qty	Description	Note
36	3032160	4	MOUNT, Vibration (5/16-18 thread- both ends)	<i>Estco Enterprises # MM312-D-SP2NEO</i>
37	7091315	14	WASHER, 5/16" Split Lock	
38	1717312	4	WASHER, 5/16" Curved	
39	7033866	1	DASH PANEL, Blower- Wide	
40	3023276	1	ASSY, Upper Handle & Grip- Wide	<i>(p/n 7033696 + grip)</i>
41	7074422	1	GRIP, 1.0 x 21-1/2" Foam	
42	7091189	4	BOLT, 5/16-18 x 2", Curved Head Square Neck, GR 2	
43	7090391	4	WASHER, 5/16" Internal Tooth Lock	
44	7078127	1	THROTTLE CONTROL, 29.25/2.12	<i>Capro p/n 65-1381-01</i>
45	7078169	2	BEARING, 3/8" Clip	
46	7090505	1	SCREW, 1/4-20 x 2" Hex Head Cap, GR 5	
47	7090188	14	WASHER, .34 x .69 x .08 Flat	
48	7076978	1	NUT, 1/4-20 Hex Nyloc	
49	7091298	4	NUT, 5/16-18 Hex Nyloc	
50	3031813	4	SPACER, .375 I.D. x .750 O.D. x .500	
51	7075893	1	DECAL, Personal Protection	
52	7013010	1	DECAL, Danger, Cut Finger	
53	7029445	1	DECAL, GIANT-VAC (Small)	
54	7075861	1	DECAL, GIANT VAC	
55	3046622	1	DECAL, 13 HP Whisper Jet	
56	3079268	1	DECAL, No Flat Tire	
57	3079269	1	DECAL, Easy Off Impeller	

Footnotes:

*Purchase engine components directly from engine manufacturer dealer.

Parts Manual for

GIANT-VAC[®]

WHISPER-JET WALK BEHIND LEAF BLOWER SERIES 1 & 2

IT IS THE POLICY OF SNAPPER TO IMPROVE ITS PRODUCTS
WHENEVER IT IS POSSIBLE AND PRACTICAL TO DO SO. WE
RESERVE THE RIGHT TO MAKE CHANGES OR ADD IMPROVEMENTS
AT ANY TIME WITHOUT INCURRING ANY OBLIGATION TO MAKE
SUCH CHANGES ON PRODUCTS MANUFACTURED PREVIOUSLY.

GIANT-VAC[®]